

# 3-Bolt Flange



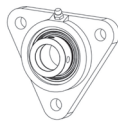
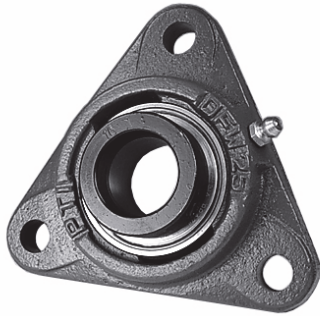
## DFW 200 PTI Series

Normal Duty Bearing

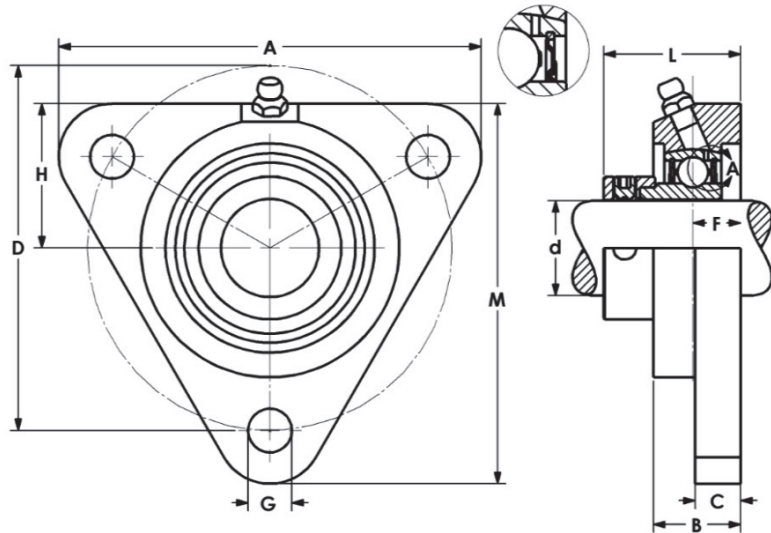
Cast Iron Housing

Eccentric Collar Lock

Metric and Inch Bores



Models Available



Part No.	Shaft Size d		Dimensions (mm) (in)									Bearing No.	Housing No.	Wt. kg
	mm	in	A	B	C	D	F	G	H	L	M			
DFW204-20MM	20		105	20	10	90	10.6	11.5	35	34.6	93	SA204-20MM	DFW204	0.5
DFW204-12		3/4	4.13	0.79	0.39	3.54	0.42	0.45	1.38	1.36	3.66	SA204-12		
DFW205-25MM	25		110	23	12	96	12.6	11.5	38	36.1	100	SA205-25MM	DFW205	0.6
DFW205-14		7/8	4.33	0.91	0.47	3.78	0.5	0.45	1.5	1.42	3.94	SA205-14		
DFW205-15		15/16										SA205-15		
DFW205-16		1										SA205-16		
DFW206-30MM	30		130	24	12	116	13.5	11.5	44	41.2	117	SA206-30MM	DFW206	1.0
DFW206-18		1-1/8	5.12	0.94	0.47	4.57	0.53	0.45	1.73	1.62	4.61	SA206-18		
DFW206-19		1-3/16										SA206-19		
DFW206-20		1-1/4										SA206-20		
DFW207-35MM	35		145	27	12	130	15.7	14	48.5	46.1	130	SA207-35MM	DFW207	1.3
DFW207-20		1-1/4	5.71	1.06	0.47	5.12	0.62	0.55	1.91	1.81	5.12	SA207-20		
DFW207-22		1-3/8										SA207-22		
DFW207-23		1-7/16										SA207-23		
DFW208-40MM	40		160	31	12	140	16.5	14	54	51.2	143	SA208-40MM	DFW208	1.8
DFW208-24		1-1/2	6.3	1.22	0.47	5.51	0.65	0.55	2.13	2.02	5.63	SA208-24		
DFW209-45MM	45		180	33	15	160	19.6	14	60	53.8	160	SA209-45MM	DFW209	2.3
DFW209-26		1-5/8	7.09	1.3	0.59	6.3	0.77	0.55	2.36	2.12	6.3	SA209-26		
DFW209-27		1-11/16										SA209-27		
DFW209-28		1-3/4										SA209-28		
DFW210-50MM	50		180	33	15	160	19.6	14	60	53.3	160	SA210-50MM	DFW210	2.4
DFW210-30		1-7/8	7.09	1.3	0.59	6.3	0.77	0.55	2.36	2.10	6.3	SA210-30		
DFW210-31		1-15/16										SA210-31		
DFW210-32		2										SA210-32		

Note: Set Screw and Adapter Lock Bearings also available from stock.