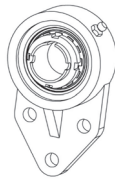
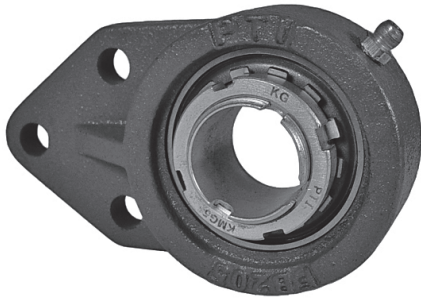


3-Bolt Flanged Bracket

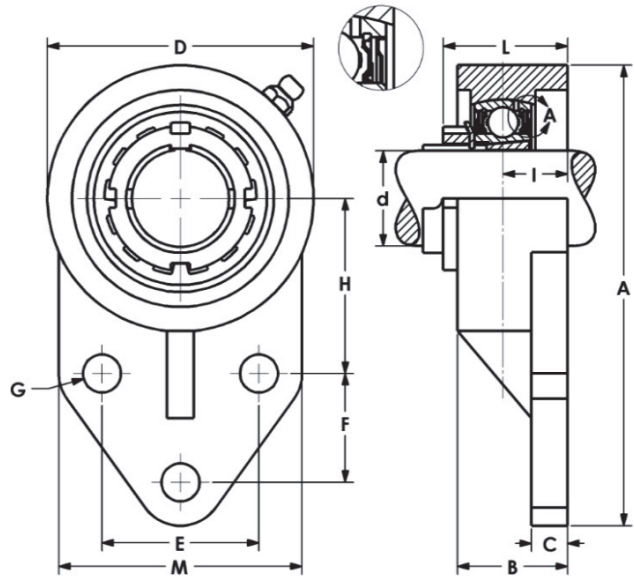


GSHFB 200 PTI Series

- Thin Adapter Lock
- Normal Duty Bearing
- Cast Iron Housing
- Metric and Inch Bores



Models Available



Part No.	Shaft Size d		Dimensions (mm) (in)											Bearing No.	Adapter No.	Housing No.	Wt. kg
	mm	in	A	B	C	D	E	F	G	H	I	L	M				
GSHFB204-20MM	20		108	25.5	8	64	38.1	22.2	10	43	16	34.9	60	GSH204	H204GSH-20MM H204GSH-12	FB204	0.7
GSHFB204-12		3/4	4.25	1.0	0.31	2.52	1.500	0.875	0.40	1.688	0.63	1.37	2.36				
GSHFB205-25MM	25		121	29	9.5	70	41.3	28.6	10	46	17	34.0	64	GSH205	H205GSH-25MM H205GSH-15 H205GSH-16	FB205	0.8
GSHFB205-15		15/16	4.76	1.14	0.37	2.76	1.625	1.125	0.40	1.812	0.67	1.34	2.52				
GSHFB205-16		1															
GSHFB206-30MM	30		137	32	9.5	83	47.6	31.8	10	52.4	19	41.7	70	GSH206	H206GSH-30MM H206GSH-19	FB206	1.3
GSHFB206-19		1-3/16	5.39	1.26	0.37	3.27	1.875	1.250	0.40	2.063	0.75	1.64	2.76				
GSHFB207-35MM	35		156	37	13	95	50.8	31.8	10	60	21	45.6	83	GSH207	H207GSH-35MM H207GSH-20 H207GSH-22	FB207	1.7
GSHFB207-20		1-1/4	6.14	1.46	0.51	3.74	2.000	1.250	0.40	2.375	0.83	1.80	3.27				
GSHFB207-22		1-3/8															
GSHFB208-40MM	40		164	34	16	100	50	41	12	60	21	48.9	78	GSH208	H208GSH-40MM H208GSH-24	FB208	2.0
GSHFB208-24		1-1/2	6.46	1.34	0.63	3.93	1.968	1.625	0.47	2.375	0.83	1.93	3.08				
GSHFB209-45MM	45		174	34	18	106	54	43	12	65	21	48.6	80	GSH209	H209GSH-45MM H209GSH-28	FB209	2.4
GSHFB209-28		1-3/4	6.85	1.34	0.71	4.17	2.125	1.688	0.47	2.563	0.83	1.91	3.15				
GSHFB210-50MM	50		191	38	13	118	70	41.3	12	74.6	21	47.4	102	GSH210	H210GSH-50MM H210GSH-31 H210GSH-32	FB210	3.0
GSHFB210-31		1-15/16	7.52	1.50	0.51	4.65	2.750	1.625	0.47	2.938	0.83	1.87	4.02				
GSHFB210-32		2															