

# Medium Duty Piloted 4-Bolt Flange

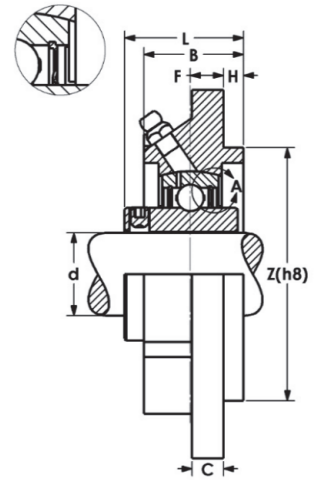
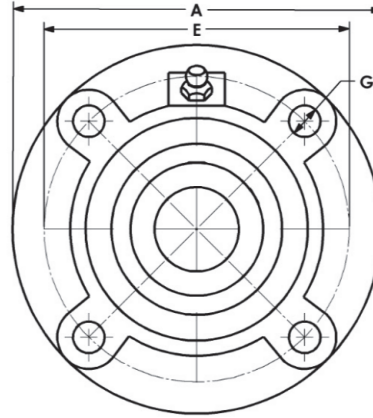


## UCFCX X00 PTI Series

- Medium Duty Bearing
- Cast Iron Housing
- Set Screw Lock
- Metric and Inch Bores



Models Available



Part No.	Shaft Size d		Dimensions (mm) (in)									Bearing No.	Housing No.	Wt. kg
	mm	in	A	B	C	E	F	G	H	L	Z(h8)			
UCFCX05-25MM UCFCX05-16	25	1	111 4.37	30 1.18	9.5 0.37	92 3.622	10 0.39	9.5 0.37	6 0.236	38.2 1.504	76.2 3.000	UCX05-25MM UCX05-16	FCX05	1.0
UCFCX06-30MM UCFCX06-18 UCFCX06-19 UCFCX06-20	30	1-1/8 1-3/16 1-1/4	127 5.00	32 1.26	9.5 0.37	105 4.134	8 0.31	12 0.47	9.5 0.374	42.9 1.689	85.7 3.374	UCX06-30MM UCX06-18 UCX06-19 UCX06-20	FCX06	1.5
UCFCX07-35MM UCFCX07-20 UCFCX07-23	35	1-1/4 1-7/16	133 5.24	37 1.46	11 0.43	111 4.370	9 0.35	12 0.47	11 0.433	50.2 1.976	92.1 3.626	UCX07-35MM UCX07-20 UCX07-23	FCX07	1.9
UCFCX08-40MM UCFCX08-24	40	1-1/2	133 5.24	37 1.46	11 0.43	111 4.370	9 0.35	12 0.47	11 0.433	50.2 1.976	92.1 3.626	UCX08-40MM UCX08-24	FCX08	1.9
UCFCX09-45MM UCFCX09-27 UCFCX09-28	45	1-11/16 1-3/4	155 6.10	37 1.46	11 0.43	130 5.118	8 0.31	14 0.55	12 0.472	52.6 2.071	108 4.252	UCX09-45MM UCX09-27 UCX09-28	FCX09	2.7
UCFCX10-50MM UCFCX10-31 UCFCX10-32	50	1-15/16 2	162 6.38	39 1.54	11 0.43	136 5.354	7 0.28	14 0.55	16 0.623	56.4 2.220	114.3 4.500	UCX10-50MM UCX10-31 UCX10-32	FCX10	3.2
UCFCX11-55MM UCFCX11-35 UCFCX11-36	55	2-3/16 2-1/4	180 7.09	48 1.89	13 0.51	152 5.984	4 0.16	16 0.63	22 0.866	65.7 2.586	127 5.000	UCX11-55MM UCX11-35 UCX11-36	FCX11	4.2
UCFCX12-60MM UCFCX12-39	60	2-7/16	194 7.64	53 2.09	14 0.55	165 6.496	11 0.43	16 0.63	20 0.787	70.7 2.783	139.7 5.500	UCX12-60MM UCX12-39	FCX12	5.3
UCFCX13-60MM UCFCX13-65MM UCFCX13-39 UCFCX13-40	60 65	2-7/16 2-1/2	194 7.64	53 2.09	14 0.55	165 6.496	11 0.43	16 0.63	20 0.787	75.4 2.969	139.7 5.500	UCX13-60MM UCX13-65MM UCX13-39 UCX13-40	FCX13	5.5
UCFCX14-70MM UCFCX14-43	70	2-11/16	222 8.74	56 2.20	14 0.55	190 7.480	14 0.55	19 0.74	20 0.787	78.5 3.087	161.9 6.374	UCX14-70MM UCX14-43	FCX14	7.2
UCFCX15-75MM UCFCX15-47 UCFCX15-48	75	2-15/16 3	222 8.74	57 2.24	16 0.63	190 7.480	12 0.47	19 0.75	22 0.866	83.3 3.280	161.9 6.374	UCX15-75MM UCX15-47 UCX15-48	FCX15	8.0
UCFCX16-80MM UCFCX16-50	80	3-1/8	260 10.24	61 2.40	19 0.75	219 8.622	10 0.39	23 0.91	25 0.984	86.6 3.41	187.3 7.374	UCX16-80MM UCX16-50	FCX16	11.3
UCFCX17-85MM UCFCX17-55 UCFCX17-56	85	3-7/16 3-1/2	260 10.24	61 2.40	19 0.75	219 8.622	10 0.39	23 0.91	25 0.98	91.3 3.590	187.3 7.37	UCX17-85MM UCX17-55 UCX17-56	FCX17	12.0
UCFCX18-90MM UCFCX18-56	90	3-1/2	260 10.24	71 2.80	19 0.74	219 8.622	12 0.47	23 0.91	28 1.102	101.1 3.982	187.3 7.374	UCX18-90MM UCX18-56	FCX18	12.1
UCFCX20-100MM UCFCX20-63 UCFCX20-64	100	3-15/16 4	276 10.87	94 3.70	22 0.86	238 9.370	22 0.86	23 0.91	28 1.102	119.1 4.68	206.4 8.126	UCX20-100MM UCX20-63 UCX20-64	FCX20	16.2