

Piloted 4-Bolt Flange



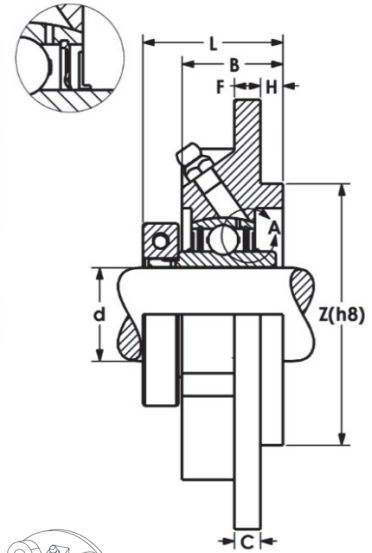
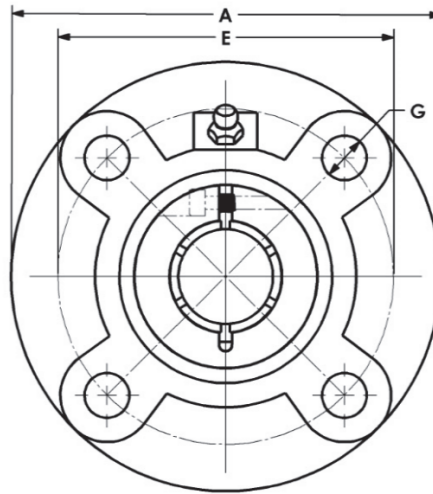
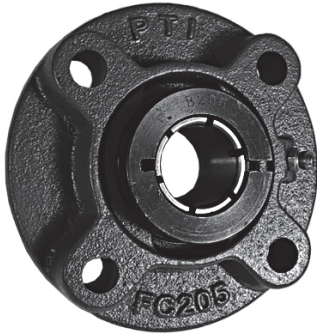
CLFC 200 PTI Series

Normal Duty Bearing

Cast Iron Housing

Concentric Locking Collar

Metric and Inch Bores



The locking collar provides for a concentric fit to the shaft

Models Available



Part No.	Shaft Size d		Dimensions (mm) (in)									Bearing No.	Housing No.	Wt. kg
	mm	in	A	B	C	E	F	G	H	L	Z(h8)			
CLFC204-20MM CLFC204-12	20	3/4	100 3.94	25.5 1.0	7 0.28	78 3.07	10 0.39	11 0.43	5 0.20	34.8 1.37	62 2.44	CL204-20MM CL204-12	FC204	0.6
CLFC205-25MM CLFC205-14 CLFC205-15 CLFC205-16	25	7/8 15/16 1	115 4.53	27 1.06	7 0.28	90 3.54	10 0.39	12.5 0.49	6 0.24	38.2 1.50	70 2.76	CL205-25MM CL205-14 CL205-15 CL205-16	FC205	0.9
CLFC206-30MM CLFC206-18 CLFC206-19 CLFC206-20	30	1-1/8 1-3/16 1-1/4	125 4.92	31 1.22	8 0.31	100 3.94	10 0.39	12.5 0.49	8 0.31	41.8 1.65	80 3.15	CL206-30MM CL206-18 CL206-19 CL206-20	FC206	1.2
CLFC207-35MM CLFC207-20 CLFC207-22 CLFC207-23	35	1-1/4 1-3/8 1-7/16	135 5.31	34 1.34	9 0.35	110 4.33	11 0.43	12.5 0.49	8 0.31	46.0 1.81	90 3.54	CL207-35MM CL207-20 CL207-22 CL207-23	FC207	1.3
CLFC208-40MM CLFC208-24	40	1-1/2	145 5.71	36 1.42	9 0.35	120 4.72	11 0.43	12.5 0.49	10 0.39	52.8 2.08	100 3.94	CL208-40MM CL208-24	FC208	1.6
CLFC209-45MM CLFC209-26 CLFC209-27 CLFC209-28	45	1-5/8 1-11/16 1-3/4	160 6.30	38 1.50	14 0.55	132 5.20	10 0.39	14 0.55	12 0.47	53.8 2.12	105 4.13	CL209-45MM CL209-26 CL209-27 CL209-28	FC209	2.3
CLFC210-50MM CLFC210-31 CLFC210-32	50	1-15/16 2	165 6.50	40 1.57	14 0.55	138 5.43	10 0.39	13.5 0.53	12 0.47	56.1 2.21	110 4.33	CL210-50MM CL210-31 CL210-32	FC210	2.6
CLFC211-55MM CLFC211-32 CLFC211-34 CLFC211-35	55	2 2-1/8 2-3/16	185 7.28	43 1.69	15 0.59	150 5.91	13 0.51	17.5 0.69	12 0.47	59.9 2.36	125 4.92	CL211-55MM CL211-32 CL211-34 CL211-35	FC211	3.1
CLFC212-60MM CLFC212-36 CLFC212-38 CLFC212-39	60	2-1/4 2-3/8 2-7/16	195 7.68	48 1.89	15 0.59	160 6.30	17 0.67	19 0.75	12 0.47	70.3 2.77	135 5.31	CL212-60MM CL212-36 CL212-38 CL212-39	FC212	3.9

Note: Other sizes available on request.