

Piloted 4-Bolt Flange



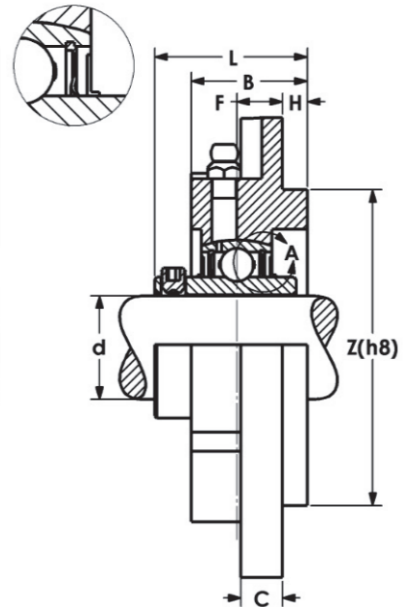
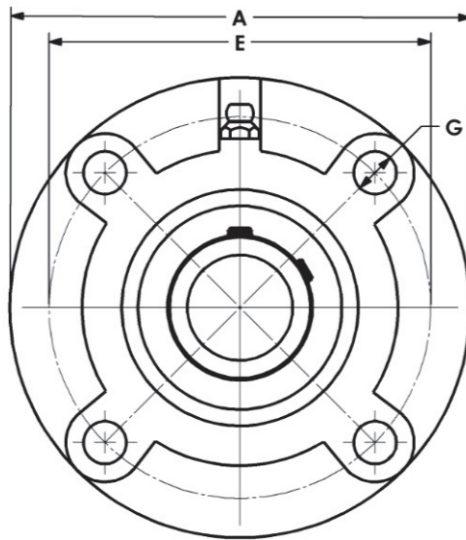
FCF 200 PTI Series

Normal Duty Bearing

Cast Iron Housing

Set Screw Lock

Metric and Inch Bores



Models Available

Part No.	Shaft Size d		Dimensions (mm) (in)										Bearing No.	Housing No.	Wt. kg
	mm	in	A	B	C	E	F	G	H	J	L	Z(h8)			
FCF205-25UMM	25		111	28	10	92.1	11	10.3	6	65.1	36.8	76.2	UC205-25MM	FCF205	1.22
FCF205-14U		7/8	4.37	1.10	0.39	3.63	0.43	0.41	0.24	2.56	1.45	3.00	UC205-14		
FCF205-15U		15/16											UC205-15		
FCF205-16U		1											UC205-16		
FCF206-30UMM	30		127	31	10	104.8	7.5	12	11	74.1	40.7	85.7	UC206-30MM	FCF206	1.59
FCF206-18U		1-1/8	5.0	1.22	0.39	4.13	0.30	0.47	0.43	2.92	1.60	3.37	UC206-18		
FCF206-19U		1-3/16											UC206-19		
FCF206-20U		1-1/4											UC206-20		
FCF207-35UMM	35		133	34	12	111.1	7.1	12	12	78.6	44.5	92.1	UC207-35MM	FCF207	2.07
FCF207-20U		1-1/4	5.24	1.34	0.47	4.37	0.28	0.47	0.47	3.09	1.75	3.63	UC207-20		
FCF207-22U		1-3/8											UC207-22		
FCF207-23U		1-7/16											UC207-23		
FCF208-40UMM	40		133	38	12	111.1	9.5	12	12	78.6	51.7	92.1	UC208-40MM	FCF208	2.23
FCF208-24U		1-1/2	5.24	1.50	0.47	4.37	0.37	0.47	0.47	3.09	2.04	3.63	UC208-24		
FCF209-45UMM	45		156	34	12	130.2	5.5	13.5	12	92.1	47.7	108	UC209-45MM	FCF209	3.0
FCF209-26U		1-5/8	6.14	1.34	0.47	5.13	0.22	0.53	0.47	3.63	1.88	4.25	UC209-26		
FCF209-27U		1-11/16											UC209-27		
FCF209-28U		1-3/4											UC209-28		
FCF210-50UMM	50		162	43	12	136.5	8.7	13.5	16	96.5	57.3	114.3	UC210-50MM	FCF210	3.3
FCF210-30U		1-7/8	6.38	1.69	0.47	5.37	0.34	0.53	0.63	3.80	2.26	4.50	UC210-30		
FCF210-31U		1-15/16											UC210-31		
FCF210-32U		2											UC210-32		
FCF211-55UMM	55		181	44	12	152.4	5.5	15	22	107.8	60.9	127	UC211-55MM	FCF211	4.22
FCF211-32U		2	7.13	1.73	0.47	6.0	0.22	0.59	0.87	4.24	2.40	5.00	UC211-32		
FCF211-34U		2-1/8											UC211-34		
FCF211-35U		2-3/16											UC211-35		

Note: Eccentric Collar and Adapter Lock Bearings also available from stock.