

4-Bolt Flange



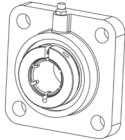
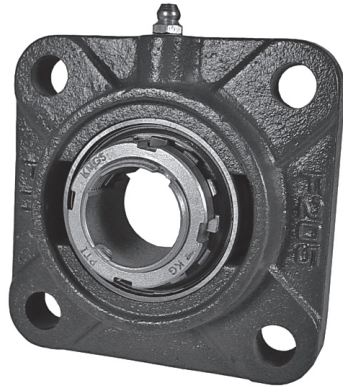
GSHF 200 PTI Series

Thin Adapter Lock

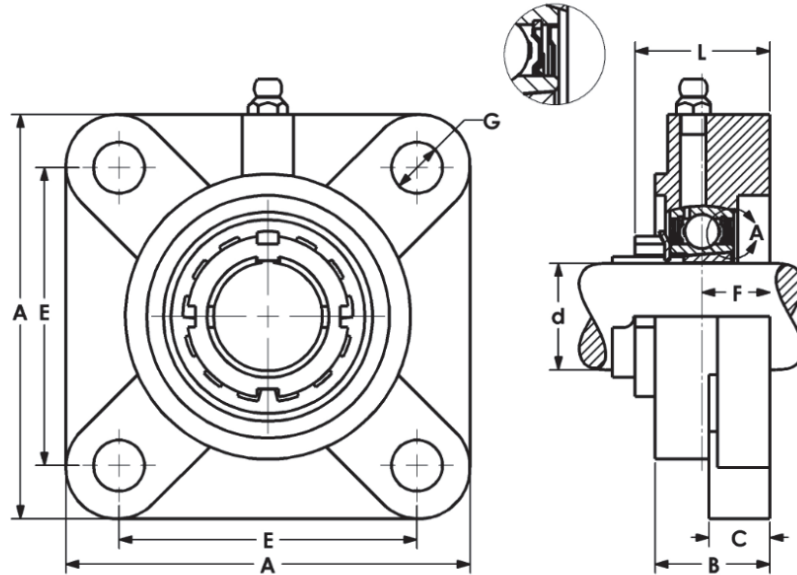
Normal Duty Bearing

Cast Iron Housing

Metric and Inch Bores



Models Available



Part No.	Shaft Size d		Dimensions (mm) (in)							Bearing No.	Adapter No.	Housing No.	Wt. kg
	mm	in	A	B	C	E	F	G	L				
GSHF204-20MM	20		86	25.5	12	64	15	12	33.9	GSH204	H204GSH-20MM	F204	0.6
GSHF204-12		3/4	3.39	1.00	0.47	2.52	0.59	0.47	1.33		H204GSH-12		
GSHF205-25MM	25		95	27	14.3	70	16	12	33.0	GSH205	H205GSH-25MM	F205	0.8
GSHF205-15		15/16	3.74	1.06	0.56	2.76	0.63	0.47	1.30		H205GSH-15		
GSHF205-16		1									H205GSH-16		
GSHF206-30MM	30		108	31	14.3	83	18	12	40.7	GSH206	H206GSH-30MM	F206	1.1
GSHF206-19		1-3/16	4.25	1.22	0.56	3.27	0.71	0.47	1.60		H206GSH-19		
GSHF207-35MM	35		117	34	15.5	92	19	14	43.6	GSH207	H207GSH-35MM	F207	1.5
GSHF207-20		1-1/4	4.61	1.34	0.61	3.62	0.75	0.55	1.72		H207GSH-20		
GSHF207-22		1-3/8									H207GSH-22		
GSHF208-40MM	40		130	36	15.5	102	21	16	48.9	GSH208	H208GSH-40MM	F208	1.8
GSHF208-24		1-1/2	5.12	1.42	0.61	4.02	0.83	0.63	1.93		H208GSH-24		
GSHF209-45MM	45		137	38	17.5	105	22	16	49.6	GSH209	H209GSH-45MM	F209	2.3
GSHF209-28		1-3/4	5.39	1.50	0.69	4.13	0.87	0.63	1.95		H209GSH-28		
GSHF210-50MM	50		143	40	17	111	22	16	48.4	GSH210	H210GSH-50MM	F210	2.6
GSHF210-31		1-15/16	5.63	1.57	0.67	4.37	0.87	0.63	1.91		H210GSH-31		
GSHF210-32		2									H210GSH-32		