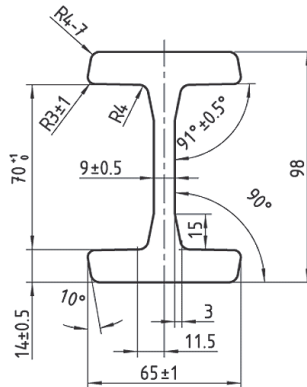


Standard NbV Series

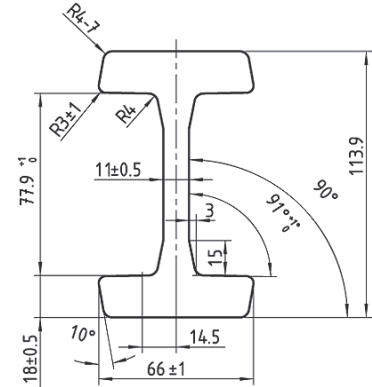
Material: S450 J2 Modified. Can be provided cut to length up to 6 meters long, longer lengths available on request.



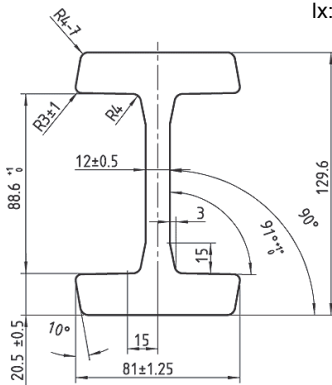
Models Available: www.winkel.de



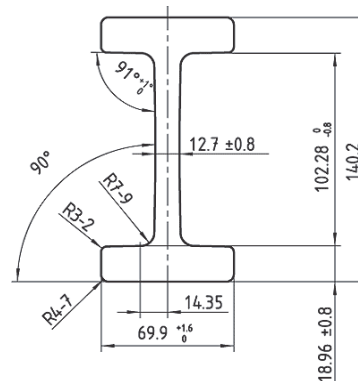
Part No.: W-3018 NbV Wt. 19.4 kg/m
 Area: 24.8 cm² Wy: 18.00 cm³
 Wx: 70.6 cm³ ly: 58.3 cm⁴
 lx: 345.9 cm⁴



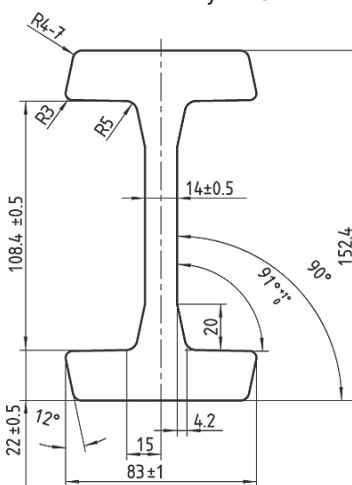
Part No.: W-3019 NbV Wt. 25.3 kg/m
 Area: 32.2c m² lx: 597.5 cm⁴
 Wx: 104.9 cm³ Wy: 23.2 cm³
 ly: 76.8 cm⁴



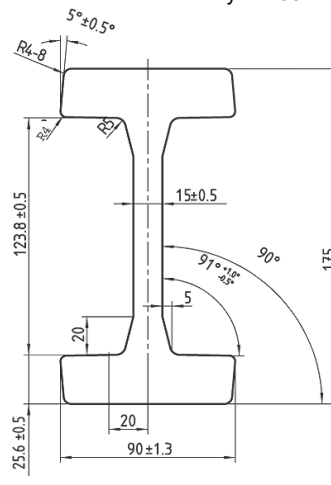
Part No.: W-3020 NbV Wt. 34.0 kg/m
 Area: 43.4 cm² lx: 1037 cm⁴
 Wx: 160 cm³ Wy: 40 cm³
 ly: 162 cm⁴



Part No.: W-2912 NbV Wt. 31.17 kg/m
 Area: 39.5 cm² lx: 1089 cm⁴
 Wx: 156 cm³ Wy: 30 cm³
 ly: 105 cm⁴



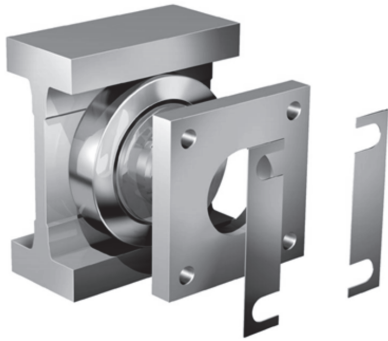
Part No.: W-3100 NbV Wt. 40.8 kg/m
 Area: 51.1 cm² lx: 1657 cm⁴
 Wx: 217 cm³ Wy: 44 cm³
 ly: 184 cm⁴



Part No.: W-3353 NbV Wt. 51.4 kg/m
 Area: 65.5 cm² lx: 2826 cm⁴
 Wx: 323 cm³ Wy: 65.2 cm³
 ly: 293 cm⁴

Note: See selection page for load ratings of profiles. Larger fabricated sizes available on request.

Profile for Jumbo Combined Bearings



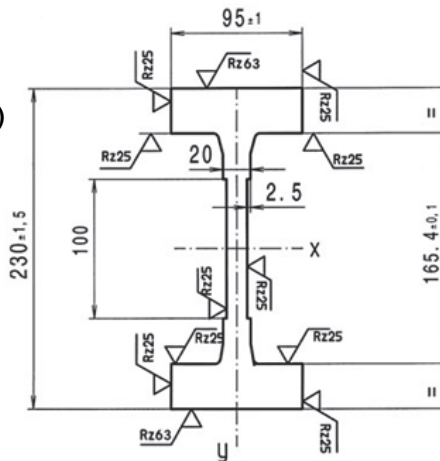
Jumbo Profiles are produced to order in fixed lengths per customer requirements. Profiles can be machined on one or both sides depending on bearing support requirements. All are produced from S355 J2 material. Max length is 12 meters. Special designs or additional machined surfaces available on request. Sketches below show Profile machined on both sides where bearing loads would be supported.

Models Available: www.winkel.de

Jumbo Profile Dimensions

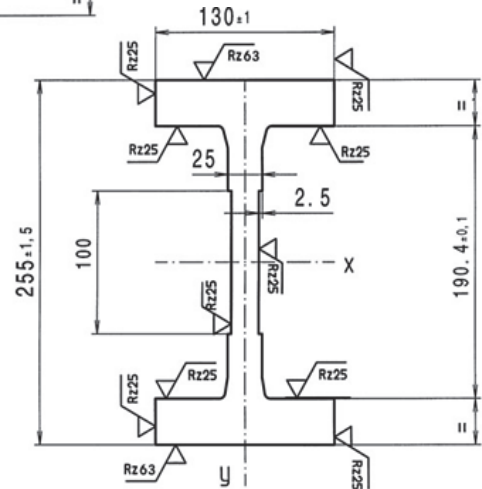
Standard 10 Profile (For Bearing Size W-4.089)

Wt: 71.0 kg/m
 Area: 90.7 cm²
 Wx: 539.0 cm³
 Wy: 100.0 cm³
 Ix: 6825.0 cm⁴
 Iy: 475.0 cm⁴



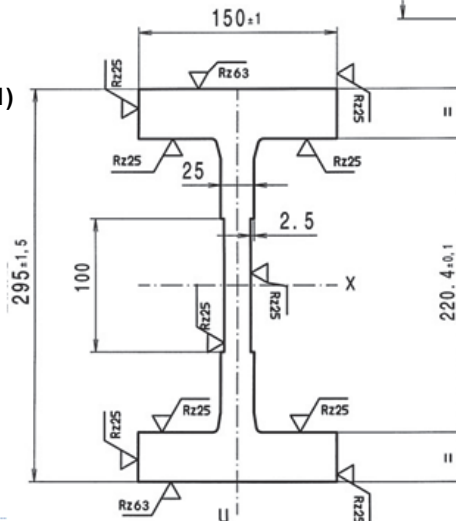
Standard 16 Profile (For Bearing Size W-4.090)

Wt: 100.0 kg/m
 Area: 127.84 cm²
 Wx: 940.0 cm³
 Wy: 185.0 cm³
 Ix: 11983.0 cm⁴
 Iy: 1203.0 cm⁴



Standard 18 Profile (For Bearing Size W-4.091)

Wt: 128.0 kg/m
 Area: 163.0 cm²
 Wx: 2123.0 cm³
 Wy: 283.0 cm³
 Ix: 21035.0 cm⁴
 Iy: 1426.0 cm⁴

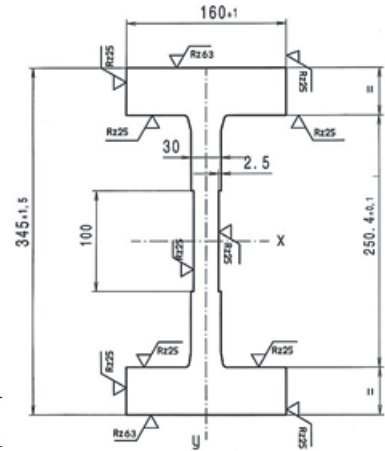


Profile for Jumbo Combined Bearings

Jumbo Profile Dimensions

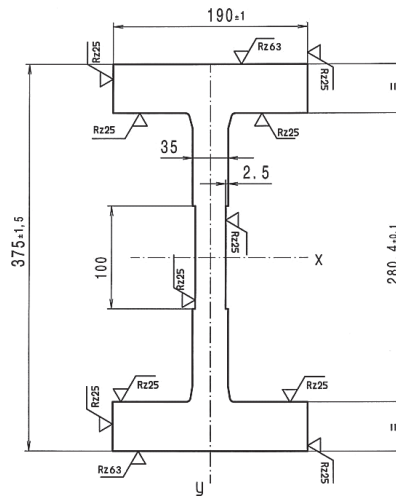
Standard 28 Profile (For Bearing Size W-4.092)

Wt: 175.0 kg/m
 Area: 222.8 cm²
 Wx: 2196.0 cm³
 Wy: 410.0 cm³
 Ix: 37883.0 cm⁴
 Iy: 3279.0 cm⁴



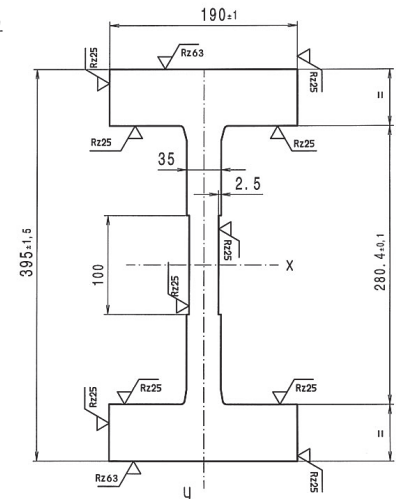
Standard 36 Profile (For Bearing Size W-4.093)

Wt: 215.0 kg/m
 Area: 274.2 cm²
 Wx: 2945.0 cm³
 Wy: 578.0 cm³
 Ix: 55210.0 cm⁴
 Iy: 5498.0 cm⁴



Standard 42 Profile (For Bearing Size W-4.093)

Wt: 245.0 kg/m
 Area: 312.0 cm²
 Wx: 3505.0 cm³
 Wy: 700.0 cm³
 Ix: 69230.0 cm⁴
 Iy: 6642.0 cm⁴



Standard 50 Profile (For Bearing Size W-4.094)

Wt: 382.9 kg/m
 Area: 487.8 cm²
 Wx: 5579.1 cm³
 Wy: 1586.9 cm³
 Ix: 160012.0 cm⁴
 Iy: 18601.0 cm⁴

