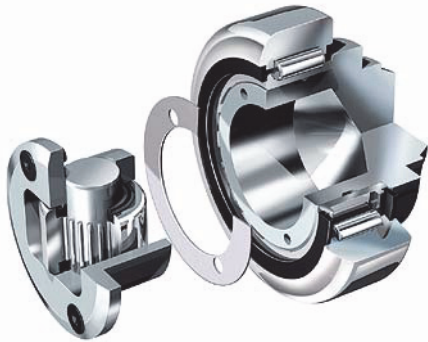


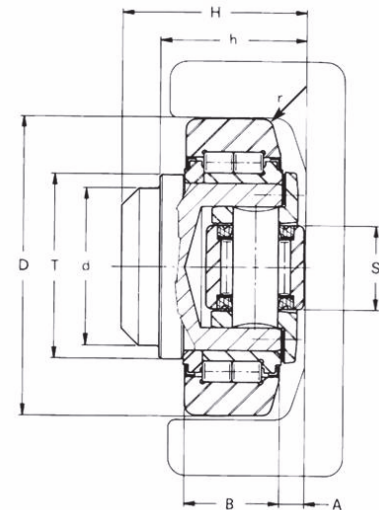
Shim Adjustable Axial Bearing



The adjustment of dimension A is obtained by means of a face washer (spacer) between the main body of the bearing and the back face of the thrust bearing surface. Face Washers 0.5mm and 1mm thick are available.

For Face Washers specify size and thickness.

Part No. W-S4.072-xx. Where xx is the Face Washer thickness of 0.5 or 1.0. Bearings are lubricated for life.



Shim Adjustable Axial Bearing

Models Available: www.winkel.de

Bearing only Part No.	Bearing with Rectangular Flange Plate Part No.	Bearing with Square Flange Plate Part No.	Dimensions										Brg Wt. kg	Profile Part No.
			A mm	B mm	d (-0.05mm)	D* mm	h mm	H mm	r mm	S mm	T mm	RPM max		
W-4.072	W-4.072/AP0	W-4.072/AP0-Q	5.5	20	30	62.5	33	43	3	16	42	900	0.56	W-0 NbV
W-4.073	W-4.073/AP1	W-4.073/AP1-Q	6.5	23	35	70.1	40	48	4	16	48	800	0.85	W-1 NbV W-3018 NbV
W-4.074	W-4.074/AP2	W-4.074/AP2-Q	7	23	40	78.1	39.5	50.5	4	21	54	700	1.02	W-2 NbV
W-4.075	**	**	7	23	40	77.7	34	45	4	21	54	700	0.92	W-3019 NbV
W-4.076	W-4.076/AP3.1	W-4.076/AP3-Q	7	30	45	88.4	48	61	3	21	59	600	1.69	W-3 NbV
W-4.077	**	**	7	28	50	101.2	37.5	50.5	3	21	67	600	1.85	W-2912 NbV
W-4.078	**	**	8	31	55	107.7	44.5	58.5	5	33	71	500	2.38	W-3100 NbV
W-4.0784	W-4.0784/AP4	W-4.0784/AP4-Q	8	31	60	107.7	55	69	5	33	71	500	2.80	W-4 NbV
W-4.079	W-4.079/AP4	W-4.079/AP4-Q	8	37	60	123	59.5	75.5	5	33	80	500	4.08	W-5 NbV W-3353 NbV
W-4.080	W-4.080/AP6	W-4.080/AP6-Q	15.0	45	60	149	69	89	5	50	103	400	6.70	W-6 NbV

Note: * OD has a slight crown to accommodate misalignments. ** Flange Plates available on request.

Profile & Bearing Load Ratings

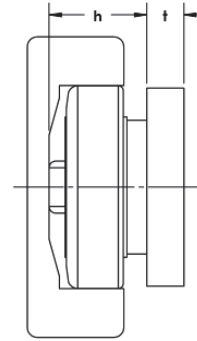
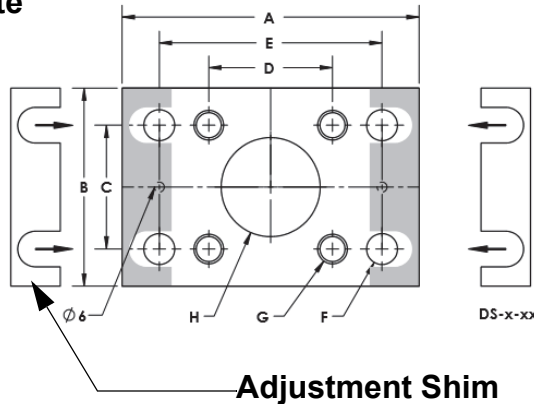
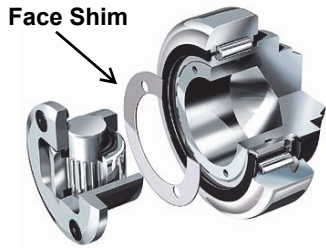
Bearing only Part No.	Profile		Max Static Radial Load on Profile $F_R kN$		Max Static Axial Load on Profile $F_A kN$		Dynamic Load Capacity of Radial Brg $C kN$	Static Load Capacity of Radial Brg $C_0 kN$	Dynamic Load Capacity of Axial Brg $C_A kN$	Static Load Capacity of Axial Brg $C_{0A} kN$
	U-Profile	I-Profile	U-Profile	I-Profile	U-Profile	I-Profile				
W-4.072	0 NbV	—	5.23	—	1.68	—	31.0	35.5	8	8
W-4.073	1 NbV	3018 NbV	10.30	—	3.20	—	45.5	51.0	14	14
W-4.074	2 NbV	—	12.40	12.40	3.87	3.87	48.0	56.8	14	14
W-4.075	—	3019 NbV	—	12.90	4.00	—	48.0	56.8	14	14
W-4.076	3 NbV	3020 NbV	22.40	22.40	—	3.87	68.0	72.0	15	15
W-4.077	—	2912 NbV	—	22.00	7.00	7.00	73.0	82.0	18	19
W-4.078	—	3100 NbV	—	23.80	—	7.00	81.0	95.0	31	36
W-4.0784	4 NbV	—	23.80	—	7.44	7.44	81.0	95.0	31	36
W-4.079	5 NbV	3353 NbV	33.90	33.90	10.60	—	110.0	132.0	35	38
W-4.080	6 NbV	—	59.20	—	18.50	10.60	151.0	192.0	68	71

WINKEL Combined Bearings

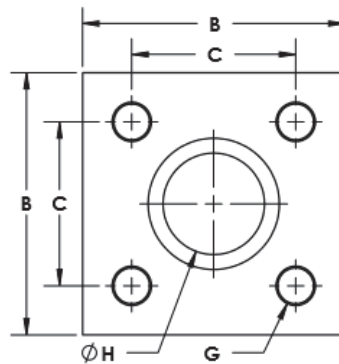
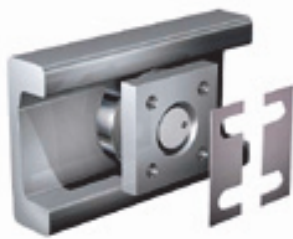
Shim Adjustable Axial Bearing



Rectangular Flange Plate



Square Flange Plate



Clamp Flange

Flange Plate Detail

Bearing with Rectangular Flange Plate Part No.	Bearing with Square Flange Plate Part No.	Dimensions										Flange Plate Only	
		A mm	B mm	C mm	D mm	E mm	ØF mm	G	ØH mm	h mm	t mm	Rectangular Part No.	Square Part No.
W-4.072/AP0	W-4.072/AP0-Q	100	60	40	40	80	10.5	M10	30	30.5	10	W-AP0	W-AP0-Q
W-4.073/AP1	W-4.073/AP1-Q	120	80	50	50	90	12.5	M12	35	36.0	15	W-AP1	W-AP1-Q
W-4.074/AP2	W-4.074/AP2-Q	120	80	50	50	90	12.5	M12	40	36.5	15	W-AP2	W-AP2-Q
W-4.076/AP3.1	—	160	100	60	60	120	17.0	M16	45	44.0	20	W-AP3.1	—
—	W-4.076/AP3-Q	—	120	90	—	—	—	M16	45	44.0	20	—	W-AP3-Q
W-4.0784/AP4	W-4.0784/AP4-Q	180	120	80	80	140	17.0	M16	60	55.0	20	W-AP4	W-AP4-Q
W-4.079/AP4	W-4.079/AP4-Q	180	120	80	80	140	17.0	M16	60	56.0	20	W-AP4	W-AP4-Q
W-4.080/AP6	W-4.080/AP6-Q	200	150	100	100	160	17.0	M16	60	58.5	20	W-AP6	W-AP6-Q

Adjustment Shims for Flange Bearings

Bearing Size	Adjustment 0.5 mm Shim Part No.	Adjustment 1.0 mm Shim Part No.	Face Shim 0.5 mm Part No.	Face Shim 1.0 mm Part No.
W-4.072	W-DS-0-0.5	W-DS-0-1.0	W-S-4.072-0.5	W-S-4.072-1.0
W-4.073	W-DS-1-0.5	W-DS-1-1.0	W-S-4.073-0.5	W-S-4.073-1.0
W-4.074	W-DS-2-0.5	W-DS-2-1.0	W-S-4.074-0.5	W-S-4.074-1.0
W-4.076	W-DS-3-0.5	W-DS-3-1.0	W-S-4.076-0.5	W-S-4.076-1.0
W-4.0784	W-DS-4-0.5	W-DS-4-1.0	W-S-4.0784-0.5	W-S-4.0784-1.0
W-4.079	W-DS-4-0.5	W-DS-4-1.0	W-S-4.079-0.5	W-S-4.079-1.0
W-4.080	W-DS-6-0.5	W-DS-6-1.0	W-S-4.080-0.5	W-S-4.080-1.0

Clamp Flanges for Mounting Profile

Part No.	Profile Size
W-KF 0	0 NbV
W-KF 1	1 NbV
W-KF 2	2 NbV
W-KF 3	3 NbV
W-KF 4	4 NbV

See Clamp Flange page for Dimensions.