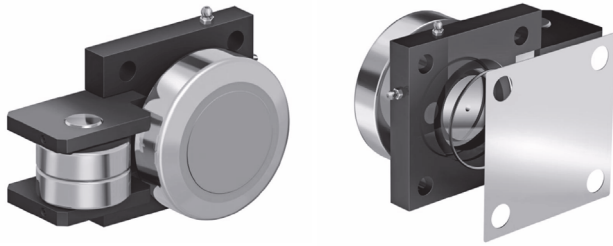


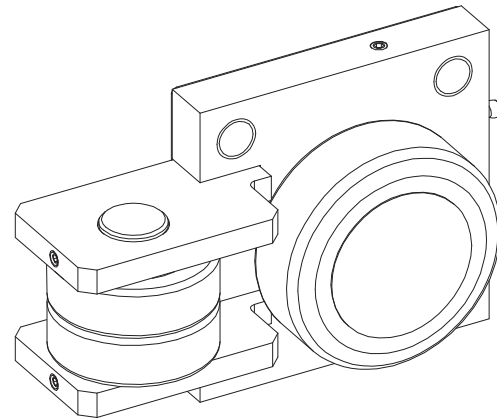
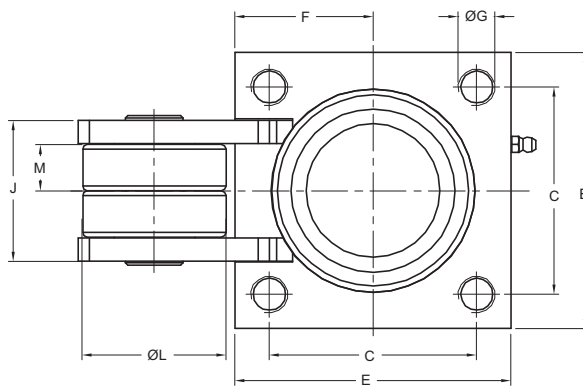
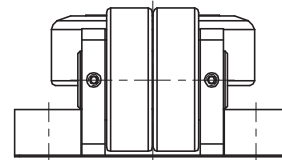
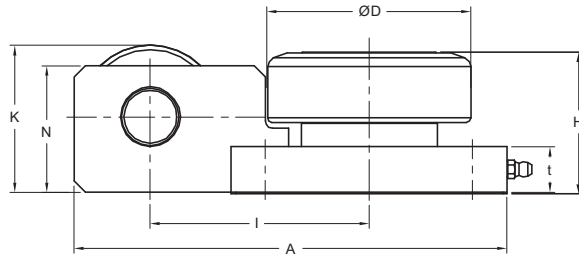
## Heavy Duty

### Type 3.054 - 3.063



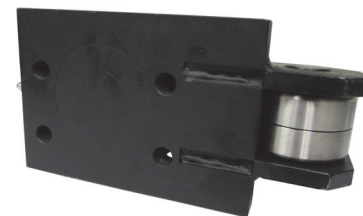
#### Features:

- Maximum resistance against contamination for heavy duty applications in material handling, foundry, steel and refuse handling.
- Radial bearing grease fitting on flange.
- Axial bearings are shock resistant ball bearings with -2RS seals, lubricated for life.
- Axial adjustment with shims.
- For high speed application up to 2 m/sec.
- Included is a M6 grease nipple, O-ring and 2 pcs. of 0.5mm shim.



For selection, determine the profile size first based on allowable loads, then determine the bearing size from what fits within the profile.

See Profile Selection page and Criteria.



Models Available: [www.winkel.de](http://www.winkel.de)

Part No.	Dimensions (mm)														Profile	F <sub>R</sub> kN	F <sub>A</sub> kN	RPM Max	Wt. kg
	A	B	C	D	E	F	G	H	I	J	K	L	M	N					
W-3.054	118	60	40	62.5	75	45	M10	38.5	66	37.2	40.5	40.0	16 (1)	35	W-0Nb	10.3	3.2	900	1.4
W-3.055	135	80	50	70.1	95	55	M12	49.0	73	53.2	52.0	40.0	16 (2)	45	W-1Nb	12.4	3.87	900	2.3
W-3.056	135	80	50	77.7	95	55	M12	49.0	73	53.2	52.0	40.0	16 (2)	45	W-2Nb	12.9	4.00	800	2.6
W-3.058	188	120	90	88.4	120	60	M16	61.0	95	61.2	64.0	62.4	20 (2)	55	W-3Nb	22.4	7.00	750	5.5
W-3.061	193	120	90	107.7	125	65	M16	71.5	100	61.2	75.0	62.4	20 (2)	63	W-4Nb	23.8	7.44	650	6.8
W-3.062	240	120	80	123.0	165	105	M16	71.5	143	69.2	76.0	70.0	22 (2)	70	W-5Nb	33.9	10.60	550	9.6
W-3.063	265	150	100	149.0	190	115	M16	73.5	153	69.2	78.4	70.0	22 (2)	70	W-6Nb	59.2	18.50	450	13.6

Note: F<sub>R</sub> = Max Load capacity of Radial Bearing allowed on profile, F<sub>A</sub> = Max Axial load capacity of Thrust Bearing allowed on profile. Units to fit Precision Profile available on request.