

4-Bolt Flange

UCF 200 PTI Series

Normal Duty Bearing

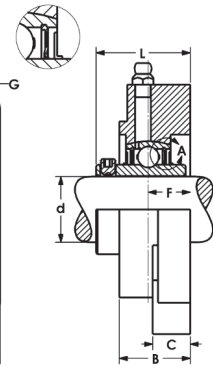
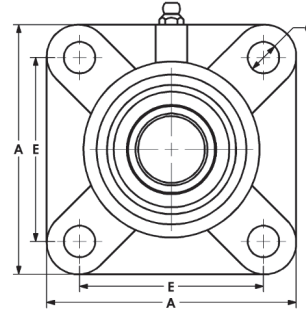
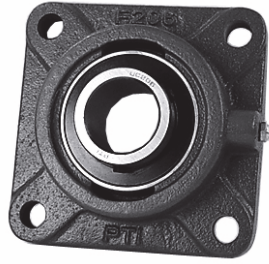
Cast Iron Housing

Set Screw Lock

Metric and Inch Bores



Models Available



Part No.	Shaft Size d		Dimensions (mm) (in)							Bearing No.	Housing No.	Wt. kg
	mm	in	A	B	C	E	F	G	L			
UCF201-12MM UCF202-15MM UCF203-17MM UCF201-8 UCF202-10 UCF203-11	12 15 17	1/2 5/8 11/16	76.2 3.00	26 1.02	11 0.43	54 2.12	15 0.59	12 0.47	30.9 1.22	UC201-12MM UC202-15MM UC203-17MM UC201-8 UC202-10 UC203-11	F203	0.5
UCF204-20MM UCF204-12	20	3/4	86 3.39	25.5 1.00	12 0.47	64 2.52	15 0.59	12 0.47	33.3 1.31	UC204-20MM UC204-12	F204	0.6
UCF205-25MM UCF205-14 UCF205-15 UCF205-16	25	7/8 15/16 1	95 3.74	27 1.06	14.3 0.55	70 2.76	16 0.63	12 0.47	35.7 1.41	UC205-25MM UC205-14 UC205-15 UC205-16	F205	0.8
UCF206-30MM UCF206-18 UCF206-19 UCF206-20	30	1-1/8 1-3/16 1-1/4	108 4.25	31 1.22	14.3 0.56	83 3.27	18 0.71	12 0.47	40.2 1.58	UC206-30MM UC206-18 UC206-19 UC206-20	F206	1.1
UCF207-35MM UCF207-20 UCF207-22 UCF207-23	35	1-1/4 1-3/8 1-7/16	117 4.61	34 1.34	15.5 0.61	92 3.62	19 0.75	14 0.55	44.4 1.75	UC207-35MM UC207-20 UC207-22 UC207-23	F207	1.5
UCF208-40MM UCF208-24	40	1-1/2	130 5.12	36 1.42	15.5 0.61	102 4.02	21 0.83	16 0.63	51.2 2.02	UC208-40MM UC208-24	F208	1.8
UCF209-45MM UCF209-26 UCF209-27 UCF209-28	45	1-5/8 1-11/16 1-3/4	137 5.39	38 1.50	17.5 0.69	105 4.13	22 0.87	16 0.63	52.2 2.06	UC209-45MM UC209-26 UC209-27 UC209-28	F209	2.3
UCF210-50MM UCF210-30 UCF210-31 UCF210-32	50	1-7/8 1-15/16 2	143 5.63	40 1.57	17 0.69	111 4.37	22 0.87	16 0.63	54.6 2.15	UC210-50MM UC210-30 UC210-31 UC210-32	F210	2.6
UCF211-55MM UCF211-32 UCF211-34 UCF211-35	55	2 2-1/8 2-3/16	162 6.38	43 1.69	19.5 0.77	130 5.12	25 0.98	19 0.75	58.4 2.30	UC211-55MM UC211-32 UC211-34 UC211-35	F211	3.4
UCF212-60MM UCF212-36 UCF212-38 UCF212-39	60	2-1/4 2-3/8 2-7/16	175 6.89	48 1.89	19.5 0.77	143 5.63	29 1.14	19 0.75	68.7 2.70	UC212-60MM UC212-36 UC212-38 UC212-39	F212	4.3
UCF213-65MM UCF213-40	65	2-1/2	187 7.36	50 1.97	23 0.91	149 5.87	30 1.18	19 0.75	69.7 2.74	UC213-65MM UC213-40	F213	5.7
UCF214-70MM UCF214-43 UCF214-44	70	2-11/16 2-3/4	193 7.60	54 2.13	23 0.91	152 5.98	31 1.22	19 0.75	75.4 2.97	UC214-70MM UC214-43 UC214-44	F214	6.1
UCF215-75MM UCF215-47 UCF215-48	75	2-15/16 3	200 7.87	56 2.20	23 0.91	159 6.26	34 1.34	19 0.75	78.5 3.09	UC215-75MM UC215-47 UC215-48	F215	6.7
UCF216-80MM UCF216-50	80	3-1/8	208 8.19	58 2.28	24 0.94	165 6.50	34 1.34	23 0.91	83.3 3.28	UC216-80MM UC216-50	F216	7.9
UCF217-85MM UCF217-52 UCF217-55	85	3-1/4 3-7/16	220 8.66	63 2.48	25 0.98	175 6.89	36 1.42	23 0.91	87.6 3.45	UC217-85MM UC217-52 UC217-55	F217	10.7
UCF218-90MM UCF218-55 UCF218-56	90	3-7/16 3-1/2	235 9.25	68 2.68	26 1.02	187 7.36	40 1.57	23 0.91	96.3 3.79	UC218-90MM UC218-55 UC218-56	F218	12.8

Note: Eccentric or Adapter Lock Bearings also available from stock.