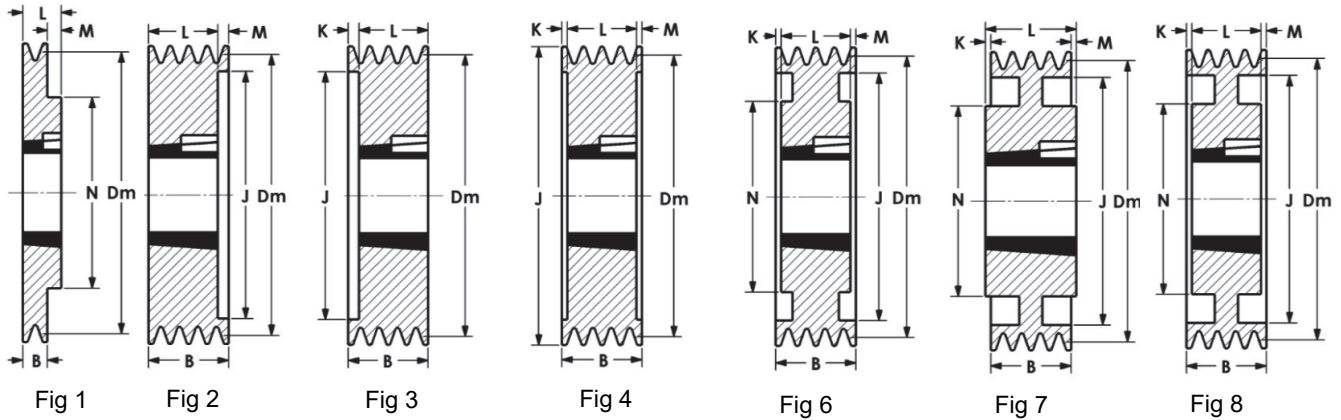


SPB Metric V-Belt Sheaves - Taper Bushed



Dimensions in mm

Part No.	Dm	Groove	Bushing	Max Bore	Figure	B	J	K	L	M	N	Wt. kg	
SPB212 x 1-2012	212	1	2012	50	7	25	—	—	32	7	95	4.2	
SPB212 x 2-2517*		2	2517	65	1	44	—	—	45	1	124	4.9	
SPB212 x 3-2517*		3	2517	65	2	63	166.5	—	45	18	—	6.0	
SPB212 x 4-3020		4	3020	75	2	82	166.5	—	51	31	—	9.8	
SPB212 x 5-3020		5	3020	75	2	101	166.5	—	51	50	—	11.0	
SPB212 x 6-3535*		6	3535	90	4	120	166.5	15.5	89	15.5	—	14.3	
SPB212 x 8-3535*		8	3535	90	4	158	171	34.5	89	34.5	—	16.6	
SPB224 x 1-2012		224	1	2012	50	1	25	—	—	32	7	95	4.7
SPB224 x 2-2517*	2		2517	65	1	44	—	—	45	1	124	5.3	
SPB224 x 3-2517*	3		2517	65	2	63	178	—	45	18	—	6.3	
SPB224 x 4-3020	4		3020	75	2	82	178	—	51	31	—	11.3	
SPB224 x 5-3020	5		3020	75	2	101	178	—	51	50	—	12.7	
SPB224 x 6-3535*	6		3535	90	4	120	178	15.5	89	15.5	—	17.0	
SPB224 x 8-3535*	8		3535	90	4	158	184	34.5	89	34.5	—	19.3	
SPB224 x 10-3535*	10		3535	90	4	196	184	46	89	61	—	21.8	
SPB236 x 1-2012	236		1	2012	50	1	25	198	—	32	7	95	5.0
SPB236 x 2-2517*			2	2517	65	1	44	198	—	45	1	—	5.5
SPB236 x 3-2517*		3	2517	65	8	63	198	—	45	18	—	7.0	
SPB236 x 4-3020		4	3020	75	8	82	198	15.5	51	15.5	—	14.5	
SPB236 x 5-3535*		5	3535	90	3	101	198	—	89	12	—	16.9	
SPB236 x 6-3535*		6	3535	90	4	120	198	15.5	89	15.5	—	20.0	
SPB236 x 8-3535*		8	3535	90	4	158	198	34.5	89	34.5	—	22.3	
SPB236 x 10-3535*		10	3535	90	4	196	198	53.5	89	53.5	—	25.3	
SPB250 x 1-2012		250	1	2012	50	1	25	212	—	32	7	—	5.4
SPB250 x 2-2517*			2	2517	65	7	44	—	—	45	1	124	5.5
SPB250 x 3-3020	3		3020	75	2	63	204	—	51	12	—	7.7	
SPB250 x 4-3020	4		3020	75	2	82	204	—	51	31	—	19.6	
SPB250 x 5-3535*	5		3535	90	2	101	204	—	89	12	—	21.7	
SPB250 x 6-3535*	6		3535	90	4	120	204	15.5	89	15.5	—	23.3	
SPB250 x 8-3535*	8		3535	90	4	158	204	34.5	89	34.5	—	27.5	
SPB250 x 10-3535*	10		3535	90	4	196	204	46	89	61	—	29.3	
SPB265 x 2-2517*	265		2	2517	65	7	44	224	0.5	45	0.5	124	6.2
SPB265 x 3-3020			3	3020	75	6	63	224	6	51	6	159	8.0
SPB265 x 4-3020		4	3020	75	6	82	224	15.5	51	15.5	519	9.5	
SPB265 x 5-3525		5	3525	90	6	101	224	18	65	18	178	17.0	
SPB265 x 6-3525		6	3525	90	6	120	224	27.5	65	27.5	178	16.7	
SPB265 x 8-3525		8	3525	90	6	158	224	46.5	65	46.5	178	24.0	

Note: * Requires bushing with BSW threads.