

14M HTD® Pulleys - Taper Bushed



14 mm HTD® x 40, 55, 85, 115 and 170 mm Belt Widths

Part No. TL36-14M-40

- TL = Taper Bushed Version
- 36 = No. of Teeth
- 14M = Pitch (5, 8 and 14mm)
- 40 = Width of belt (40, 55, 85, 115 and 170)



Models Available

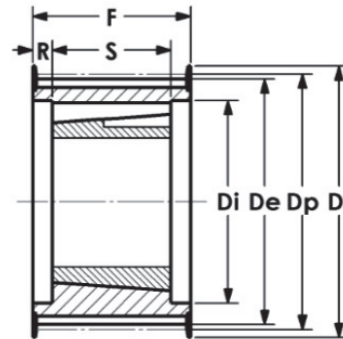


Fig 4F

Dimensions in mm

Part No.	Bushing	Teeth	Belt Width	Material	Figure	Dp	De	Df	Dm	Di	F	S	R	Wt. kg
TL28-14M-40	2012	28	40	GG	4F	124.78	122.12	127	—	98	54	32	11.0	2.07
TL28-14M-55	2012		55	GG	4F	124.78	122.12	127	—	98	70	32	19.0	2.20
TL28-14M-85*	2517		85	GG	4F	124.78	122.12	127	—	98	102	45	28.5	2.70
TL28-14M-115*	2517		115	GG	4F	124.78	122.12	127	—	98	133	45	44.0	3.77
TL29-14M-40	2012	29	40	GG	4F	129.23	126.57	138	—	100	54	32	11.0	2.38
TL29-14M-55	2012		55	GG	4F	129.23	126.57	138	—	100	70	32	19.0	2.74
TL29-14M-85*	2517		85	GG	4F	129.23	126.57	138	—	100	102	45	28.5	3.40
TL29-14M-115*	2517		115	GG	4F	129.23	126.57	138	—	100	133	45	44.0	4.00
TL30-14M-40	2012	30	40	GG	4F	133.69	130.99	138	—	100	54	32	11.0	2.65
TL30-14M-55*	2517		55	GG	4F	133.69	130.99	138	—	100	70	45	12.5	2.70
TL30-14M-85*	2517		85	GG	4F	133.69	130.99	138	—	100	102	45	28.5	3.75
TL30-14M-115*	2517		115	GG	4F	133.69	130.99	138	—	100	133	45	44.0	5.00
TL32-14M-40	2012	32	40	GG	4F	142.60	139.88	154	—	104	54	32	11.0	3.40
TL32-14M-55*	2517		55	GG	4F	142.60	139.88	154	—	108	70	45	12.5	3.66
TL32-14M-85*	2517		85	GG	4F	142.60	139.88	154	—	108	102	45	28.5	4.80
TL32-14M-115*	2517		115	GG	4F	142.60	139.88	154	—	108	133	45	44.0	6.80
TL34-14M-40*	2517	34	40	GG	4F	151.52	148.79	160	—	110	54	45	4.5	3.87
TL34-14M-55*	2517		55	GG	4F	151.52	148.79	160	—	110	70	45	12.5	4.55
TL34-14M-85*	2517		85	GG	4F	151.52	148.79	160	—	110	102	45	28.5	6.00
TL34-14M-115*	2517		115	GG	4F	151.52	148.79	160	—	110	133	45	44.0	6.80
TL36-14M-40*	2517	36	40	GG	4F	160.43	157.68	168	—	120	54	45	4.5	4.80
TL36-14M-55*	2517		55	GG	4F	160.43	157.68	168	—	120	70	45	12.5	5.20
TL36-14M-85	3020		85	GG	4F	160.43	157.68	168	—	125	102	51	25.5	5.80
TL36-14M-115	3020		115	GG	4F	160.43	157.68	168	—	125	133	51	41.0	7.00
TL38-14M-40*	2517	38	40	GG	4F	169.34	166.60	183	—	130	54	45	4.5	5.40
TL38-14M-55*	2517		55	GG	4F	169.34	166.60	183	—	130	70	45	12.5	6.20
TL38-14M-85	3020		85	GG	4F	169.34	166.60	183	—	130	102	51	25.5	6.80
TL38-14M-115	3020		115	GG	4F	169.34	166.60	183	—	130	133	51	41.0	8.40
TL38-14M-170	3030		170	GG	4F	169.34	166.60	183	—	130	187	76	55.5	11.70
TL40-14M-40*	2517	40	40	GG	4F	178.25	175.49	188	—	138	54	45	4.5	6.00
TL40-14M-55*	2517		55	GG	4F	178.25	175.49	188	—	138	70	45	12.5	7.00
TL40-14M-85	3020		85	GG	4F	178.25	175.49	188	—	138	102	51	25.5	8.00
TL40-14M-115	3020		115	GG	4F	178.25	175.49	188	—	140	133	51	41.0	9.20
TL40-14M-170	3030		170	GG	4F	178.25	175.49	188	—	140	187	76	55.5	13.00

Note: GG = Cast Iron. * Requires TL Bushing with BSW screws.