

Tapped Base Pillow Block



CLTB 200 PTI Series

Normal Duty Bearing

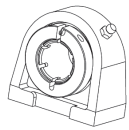
Cast Iron Housing

Concentric Locking Collar

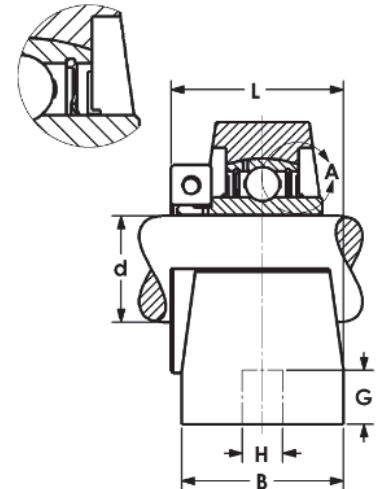
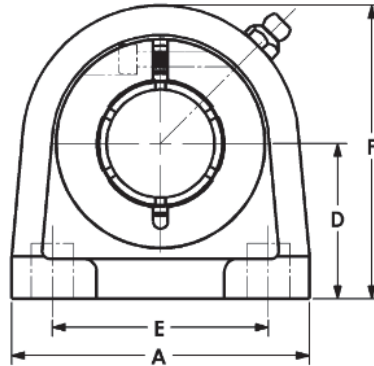
Metric and Inch Bores



The locking collar provides for a concentric fit to the shaft



Models Available



Part No.	Shaft Size d		Dimensions (mm) (in)								Bearing No.	Housing No.	Wt. kg
	mm	in	A	B	D	E	F	G	H	L			
CLTB204-20MM	20		73	38	33.3	50.8	65	12.7	—	38.8	CL204-20MM	TB204	0.7
CLTB204-12		3/4	2.87	1.5	1.312	2.0	2.56	0.50	3/8-16	1.53	CL204-12		
CLTB205-25MM	25		76	38	36.5	50.8	71	12.7	—	41.2	CL205-25MM	TB205	0.8
CLTB205-14		7/8	2.99	1.5	1.437	2.0	2.80	0.50	3/8-16	1.62	CL205-14		
CLTB205-15		15/16									CL205-15		
CLTB205-16		1									CL205-16		
CLTB206-30MM	30		102	38	42.9	76.2	87	16	—	42.8	CL206-30MM	TB206	1.3
CLTB206-18		1-1/8	4.02	1.5	1.687	3.0	3.42	0.63	7/16-14	1.69	CL206-18		
CLTB206-19		1-3/16									CL206-19		
CLTB206-20		1-1/4									CL206-20		
CLTB207-35MM	35		108	48	47.6	82.6	95	19	—	51.0	CL207-35MM	TB207	1.7
CLTB207-20		1-1/4	4.25	1.9	1.875	3.25	3.74	0.75	1/2-13	2.01	CL207-20		
CLTB207-22		1-3/8									CL207-22		
CLTB207-23		1-7/16									CL207-23		
CLTB208-40MM	40		117	48	49.2	88.9	100	19	—	55.8	CL208-40MM	TB208	2.0
CLTB208-24		1-1/2	4.61	1.9	1.937	3.5	3.94	0.75	1/2-13	2.20	CL208-24		
CLTB209-45MM	45		127	51	54.2	95.3	108	19	—	57.3	CL209-45MM	TB209	2.3
CLTB209-26		1-5/8	5.00	2.01	2.125	3.75	4.25	0.75	1/2-13	2.25	CL206-26		
CLTB209-27		1-11/16									CL209-27		
CLTB209-28		1-3/4									CL209-28		
CLTB210-50MM	50		140	51	57.2	101.6	117.5	22	—	59.6	CL210-50MM	TB210	2.9
CLTB210-30		1-7/8	5.51	2.01	2.250	4.0	4.63	0.87	5/8-11	2.34	CL210-30		
CLTB210-31		1-15/16									CL210-31		
CLTB210-32		2									CL210-32		

Note: Other sizes available on request.