

# Metric Rubber Top Attachment Chain

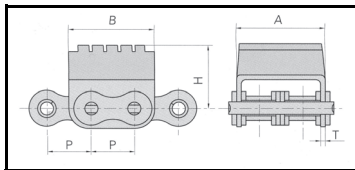
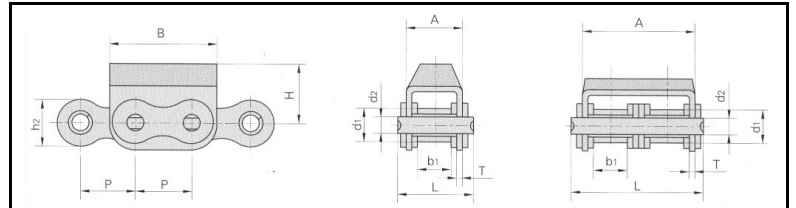


Rubber Top Attachment Chain is available in a wide variety of attachment shapes and several optional rubber or rubber type materials including nitrile and molded neoprene. The typical shore (rubber hardness) is 75 +/-5. Temperature resistance generally 80°C although higher allowable temperatures are possible. Several typical shapes are shown below. Many standard top shapes are available. Similar to attachment type chains, the specific

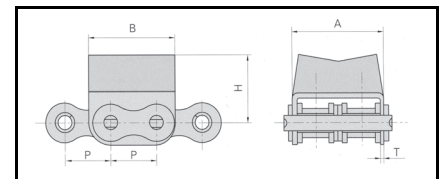
chain size and top dimensions will help determine the exact replacement chain. These are normally provided in custom lengths, fully riveted with a connecting link for final assembly. Rubber top chains are used in wood-working machinery, glass handling industry or synthetic panels that need to be protected from metal chain attachments.



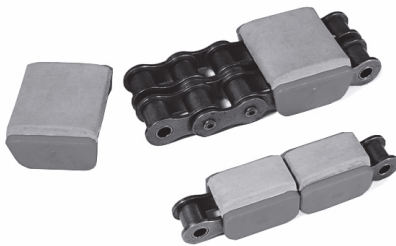
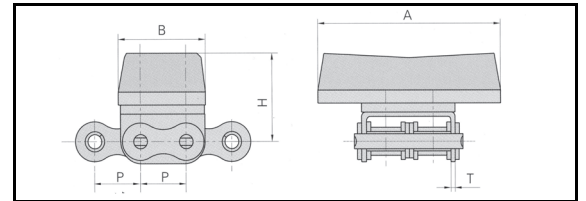
Available in metric chain sizes from 08B thru 24B Chain (1/2 thru 1-1/2" pitch).



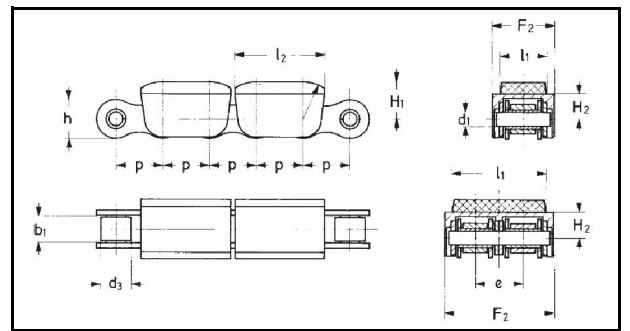
Available in metric chain sizes from 08B & 12B Chain (1/2 & 3/4" pitch).



Available in metric chain sizes from 08B & 12B Chain (1/2 & 3/4" pitch).



AH Polyamide snap on attachments fit standard metric single and double strand roller chains. They also help protect the chain from contamination. They are available for metric chain sizes from 08 thru 20B (1/2" thru 1-1/4" pitch BS Chain). The rubber tops are 50-60 Shore.



Dimensions in mm

Part No	p mm	b <sub>1</sub> min. min	d <sub>1</sub> mm h <sub>9</sub>	d <sub>3</sub> mm max	e mm	h mm	l <sub>1</sub> mm x	l <sub>2</sub> mm x	H <sub>1</sub> mm x	H <sub>2</sub> mm x	F <sub>2</sub> mm x	f cm <sup>2</sup>	F <sub>B</sub> N min	Wt. kg/m
E08B-1 CLIP	12.7	7.75	4.45	8.51	—	11.8	14.0	24.2	12.3	8.3	20.0	0.50	18000	0.85
E08B-2 CLIP	12.7	7.75	4.45	8.51	13.92	11.8	28.0	24.2	12.3	8.3	33.5	1.01	32000	1.60
E10B-1 CLIP	15.875	9.65	5.08	10.16	—	14.7	15.5	30.5	15.0	10.0	21.5	0.67	22400	1.15
E10B-2 CLIP	15.875	9.65	5.08	10.16	16.59	14.7	32.0	30.5	15.0	10.0	38.5	1.34	44500	2.18
E12B-1 CLIP	19.05	11.68	5.72	12.06	—	16.1	19.0	37.0	16.0	11.0	25.0	0.89	29000	1.50
E12B-2 CLIP	19.05	11.68	5.72	12.06	19.46	16.1	39.5	37.0	16.0	11.0	44.5	1.79	57800	2.90
E16B-1 CLIP	25.4	17.02	8.28	15.88	—	21.0	33.0	49.0	21.4	15.4	39.0	2.10	60000	3.25
E16B-2 CLIP	25.4	17.02	8.28	15.88	31.88	21.0	65.0	49.0	21.4	15.4	71.0	4.21	106000	6.35
E20B-1 CLIP	31.75	19.56	10.19	19.05	—	26.4	36.0	61.5	25.0	19.0	44.0	2.96	95000	4.30
E20B-2 CLIP	31.75	19.56	10.19	19.05	36.45	26.4	72.5	61.5	25.0	19.0	80.5	5.91	170000	8.40