

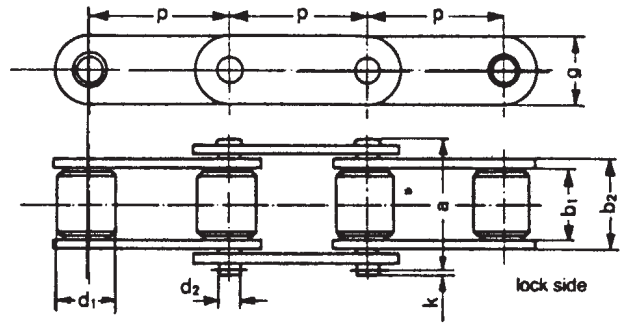
# Agricultural & Lumber Roller Chain



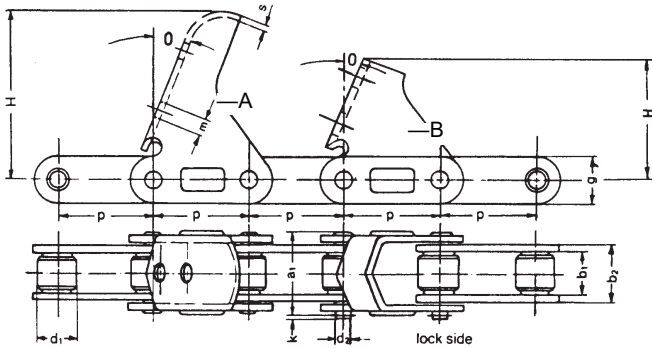
DIN 8189/ISO 487

CA 2060 and CA 550 chains are offered in a wide variety of attachments. Some are shown below. Others available on request.

Part No.	p mm	b <sub>1</sub> mm	b <sub>2</sub> mm	d <sub>1</sub> mm	d <sub>2</sub> mm	a mm	k mm	g mm	Breaking Load kN	Wt. kg/m
E-CA 2060	38.1	12.7	19.4	11.90	5.95	28.6	2.2	18.1	36.0	1.5
E-CA 550	41.4	20.2	25.5	16.7	7.13	34.8	2.6	19.0	51.0	1.85



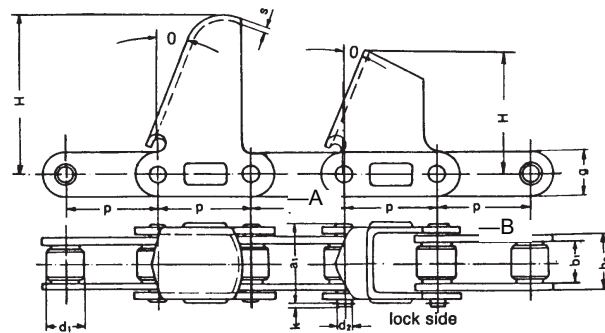
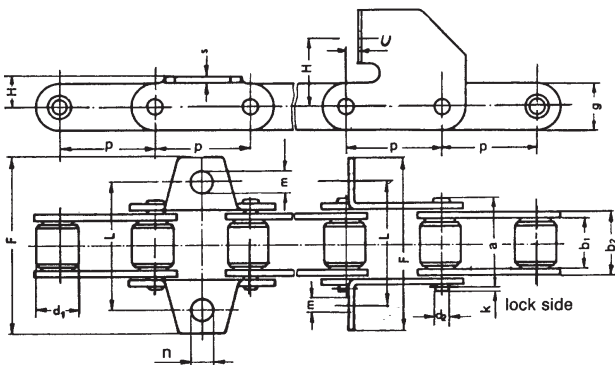
## Attachment Links for Special Double Pitch Roller Chain CA 2060



Attachment	Measurements of attachment links (mm)			
	s	m	O	H
A	3.1	-	22°	63.5
A1	3.1	6.75	22°	63.5
B	3.1	-	22°	57

Other Attachments Available on Request

## Attachment Links for Agricultural Roller Chain CA 550

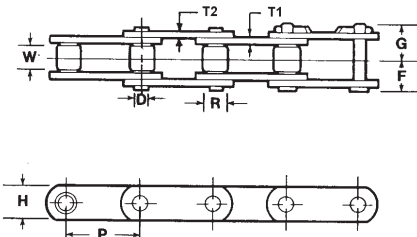


Part No.	Bent Attachments (mm)					Elevator Attachments (mm)							Corn Attachments (mm)			
	S	M	H	L	F	S	M	n	U	H	L	F	Size	S	O	H
E-CA 550	2.6	8.3	12.7	50.8	75.6	2.6	8.7	8.7	3.7	31	47.6	68.2	A	2.7	15°	92.0
													B	2.7	15°	63.5

# 81X Series (Lumber Chain)

E-Series

Dimensions in inches



Part No.	Pitch	Roller Width	Roller Dia.	Plate Height	Plate Thickness		Pin Dia.	Overall Width		Avg. Ult. Strength lb	Wt. lb/ft
	P	W	R	H	T1	T2	D	F	G		
E81X	2.609	1.062	0.905	1.122	0.156	0.156	0.438	0.937	1.125	24250	2.5
E81XH	2.609	1.062	0.905	1.270	0.312	0.218	0.438	1.188	1.343	34520	3.4
E81XHH	2.609	1.062	0.905	1.270	0.312	0.319	0.438	1.260	1.430	43400	4.3