

Metric Rod Ends

GIRSW Type

- Stainless Steel
- Maintenance Free
- PTFE Teflon Liner
- Right & Left Hand - Internal Threads
- Suited for High Dynamic Pressure and Tension Loads in Corrosive Environment

Housing: Stainless Steel 1.4057, AISI 431, forged, polished

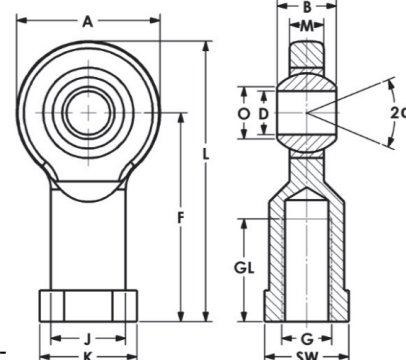
Size 40 turned from stainless steel 1.4057, AISI 431

Insert: Special high strength bronze CuSn8 with PTFE teflon liner bonded to the inner surface

Ball: Bearing steel 100Cr6, AISI 52100, hardened, ground, polished, hard chrome plated

On request: Insert: Stainless steel 1.4571, AISI 316Ti Ball: Stainless steel 1.4034, AISI 420C hardened, ground, polished or in stainless steel 1.4401, AISI 316 ground, polished

Models Available



Right Hand Part No.	Left Hand Part No.	Size D	Dimensions (mm)										Static Load C _o kN	Dynamic Load C kN	Max Speed RPM **	α°	Wt. g	
			B	M	A	F	L	K	J	O	SW	G						GL
GIRSW 4*	GILRSW 4*	4	7	5.25	14	24	31	9.5	7.8	6.5	8	M4 x 0.7	12	7.0	5.3	—	14	11
GIRSW 5	GILRSW 5	5	8	6.00	18	27	36	11.0	9.0	7.7	9	M5 x 0.8	10	8.0	6.0	600	13	18
GIRSW 6	GILRSW 6	6	9	6.75	20	30	40	13.0	10.0	8.9	11	M6 x 1	12	9.0	6.8	530	13	27
GIRSW 8	GILRSW 8	8	12	9.00	24	36	48	16.0	12.5	10.4	13	M8 x 1.25	16	12.0	9.0	420	14	46
GIRSW 10	GILRSW 10	10	14	10.50	28	43	57	19.0	15.0	12.9	17	M10 x 1.5	20	28.3	23.4	350	13	76
GIRSW 12	GILRSW 12	12	16	12.00	32	50	66	22.0	17.5	15.4	19	M12 x 1.75	22	34.5	32.0	300	13	115
GIRSW 14	GILRSW 14	14	19	13.50	36	57	75	25.0	20.0	16.8	22	M14 x 2	25	39.5	42.0	260	16	170
GIRSW 16	GILRSW 16	16	21	15.00	42	64	85	27.0	22.0	19.3	22	M16 x 2	28	60.5	52.5	230	15	230
GIRSW 18	GILRSW 18	18	23	16.50	46	71	94	31.0	25.0	21.8	27	M18 x 1.5	32	73.0	64.0	210	15	320
GIRSW 20	GILRSW 20	20	25	18.00	50	77	102	34.0	27.5	24.3	32	M20 x 1.5	33	83.0	78.0	190	14	415
GIRSW 22	GILRSW 22	22	28	20.00	54	84	111	37.0	30.0	25.8	32	M22 x 1.5	37	100.0	97.0	170	15	540
GIRSW 25	GILRSW 25	25	31	22.00	60	94	124	42.0	33.5	29.6	36	M24 x 2	42	118.0	122.0	150	15	750
GIRSW 30	GILRSW 30	30	37	25.00	70	110	145	51.0	40.0	34.8	41	M30 x 2	51	155.0	168.0	130	17	1130
GIRSW 35	GILRSW 35	35	43	28.00	80	125	165	58.0	46.0	37.7	50	M36 x 2	56	191.0	206.0	110	19	1600
GIRSW 40	GILRSW 40	40	49	35.00	90	142	187	69.0	57.0	44.2	60	M42 x 2	60	235.0	286.0	100	16	2770

Note: * Size 4 on request and housing from AISI 303. **Only recommended for short term revolutions.

GARSW Type

- Stainless Steel
- Maintenance Free
- PTFE Teflon Liner
- Right & Left Hand - External Threads
- Suited for High Dynamic Pressure and Tension Loads in Corrosive Environment

Housing: Stainless Steel 1.4057, AISI 431, forged, polished

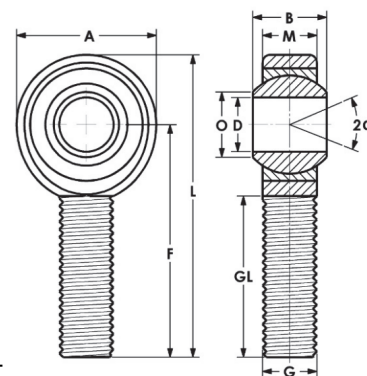
Size 40 turned from stainless steel 1.4057, AISI 431

Insert: Special high strength bronze CuSn8 with PTFE teflon liner bonded to the inner surface

Ball: Bearing steel 100Cr6, AISI 52100, hardened, ground, polished, hard chrome plated

On request: Insert: Stainless steel 1.4571, AISI 316Ti Ball: Stainless steel 1.4034, AISI 420C hardened, ground, polished or in stainless steel 1.4401, AISI 316 ground, polished

Models Available



Right Hand Part No.	Left Hand Part No.	Size D	Dimensions (mm)								Static Load C _o kN	Dynamic Load C kN	Max Speed RPM **	α°	Wt. g
			B	M	A	F	L	O	G	GL					
GARSW 4*	GALRSW 4*	4	7	5.25	14	30	37	6.5	M4 x 0.7	19	1.3	0.8	—	14	9
GARSW 5	GALRSW 5	5	8	6.00	18	33	42	7.7	M5 x 0.8	20	6.2	7.5	600	13	13
GARSW 6	GALRSW 6	6	9	6.75	20	36	46	8.9	M6 x 1	22	8.8	9.3	530	13	20
GARSW 8	GALRSW 8	8	12	9.00	24	42	54	10.4	M8 x 1.25	25	16.1	16.7	420	14	33
GARSW 10	GALRSW 10	10	14	10.50	28	48	62	12.9	M10 x 1.5	29	25.5	23.4	350	13	56
GARSW 12	GALRSW 12	12	16	12.00	32	54	70	15.4	M12 x 1.75	33	34.5	32.0	300	13	87
GARSW 14	GALRSW 14	14	19	13.50	36	60	78	16.8	M14 x 2	36	39.5	42.0	260	16	129
GARSW 16	GALRSW 16	16	21	15.00	42	66	87	19.3	M16 x 2	40	60.5	52.5	230	15	189
GARSW 18	GALRSW 18	18	23	16.50	46	72	95	21.8	M18 x 1.5	44	73.0	64.0	210	15	267
GARSW 20	GALRSW 20	20	25	18.00	50	78	103	24.3	M20 x 1.5	47	83.0	78.0	190	14	348
GARSW 22	GALRSW 22	22	28	20.00	54	84	111	25.8	M22 x 1.5	51	100.0	97.0	170	15	443
GARSW 25	GALRSW 25	25	31	22.00	60	94	124	29.6	M24 x 2	58	118.0	122.0	150	15	600
GARSW 30	GALRSW 30	30	37	25.00	70	110	145	34.8	M30 x 2	71	155.0	168.0	130	17	1030
GARSW 35	GALRSW 35	35	43	28.00	80	125	165	37.7	M36 x 2	73	191.0	206.0	110	19	1600
GARSW 40	GALRSW 40	40	49	35.00	90	142	187	44.2	M42 x 2	78	235.0	286.0	100	16	2570

Note: * Size 4 on request and housing from AISI 303. **Only recommended for short term revolutions.