

Metric Rod Ends

Models Available



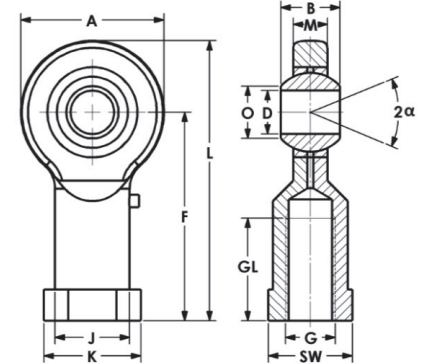
GIRS Type

- Stainless Steel
- Grease Fitting for Re-Lube
- Right & Left Hand - Internal Threads
- Suited for Corrosive Environments

Housing: Stainless Steel 1.4057, AISI 431, forged, polished
 Sizes 40 made from stainless steel to 1.4057, AISI 431, turned

Insert: Special high strength bronze to CuSn8

Ball: Bearing steel 100Cr6, AISI 52100, hardened, ground, polished, hard chrome plated
 This series is also available sealed on request



Right Hand Part No.	Left Hand Part No.	Size D	Dimensions (mm)										Static Load C ₀ kN	Dynamic Load C kN	Max Speed RPM	α°	Wt. g	
			B	M	A	F	L	K	J	O	SW	G						GL
GIRS 3*	GILRS 3*	3	6.0	4.50	14	21	27	6.5	5.0	5.1	5.5	M3 x 0.5	10	8.0	1.8	—	14	6
GIRS 5	GILRS 5	5	8.0	6.00	18	27	36	11.0	9.0	7.7	9.0	M5 x 0.8	10	11.8	3.3	1200	13	18
GIRS 6	GILRS 6	6	9.0	6.75	20	30	40	13.0	10.0	8.9	11.0	M6 x 1.0	12	13.1	4.3	1500	13	27
GIRS 8	GILRS 8	8	12.0	9.00	24	36	48	16.0	12.5	10.4	13.0	M8 x 1.25	16	20.7	7.1	1200	14	46
GIRS 10	GILRS 10	10	14.0	10.50	28	43	57	19.0	15.0	12.9	17.0	M10 x 1.50	20	28.3	10.0	1000	13	76
GIRS 12	GILRS 12	12	16.0	12.00	32	50	66	22.0	17.5	15.4	19.0	M12 x 1.75	22	34.5	13.5	860	13	115
GIRS 14	GILRS 14	14	19.0	13.50	36	57	75	25.0	20.0	16.8	22.0	M14 x 2	25	39.5	17.0	750	16	170
GIRS 16	GILRS 16	16	21.0	15.00	42	64	85	27.0	22.0	19.3	22.0	M16 x 2	28	60.5	21.5	660	15	230
GIRS 18	GILRS 18	18	23.0	16.50	46	71	94	31.0	25.0	21.8	27.0	M18 x 1.5	32	73.0	26.0	600	15	320
GIRS 20	GILRS 20	20	25.0	18.00	50	77	102	34.0	27.5	24.3	32.0	M20 x 1.5	33	83.0	31.5	540	14	415
GIRS 22	GILRS 22	22	28.0	20.00	54	84	111	37.0	30.0	25.8	32.0	M22 x 1.5	37	100.0	38.0	500	15	540
GIRS 25	GILRS 25	25	31.0	22.00	60	94	124	42.0	33.5	29.6	36.0	M24 x 2	42	118.0	47.0	440	15	750
GIRS 30	GILRS 30	30	37.0	25.00	70	110	145	51.0	40.0	34.8	41.0	M30 x 2	51	155.0	64.0	370	17	1130
GIRS 35	GILRS 35	35	43.0	28.00	80	125	165	58.0	46.0	37.7	50.0	M36 x 2	56	191.0	80.0	330	19	1600
GIRS 40	GILRS 40	40	49.0	35.00	90	142	187	69.0	57.0	44.2	60.0	M42 x 2	60	235.0	116.0	290	16	2770

Note: * Without Lube Fitting

GARS Type

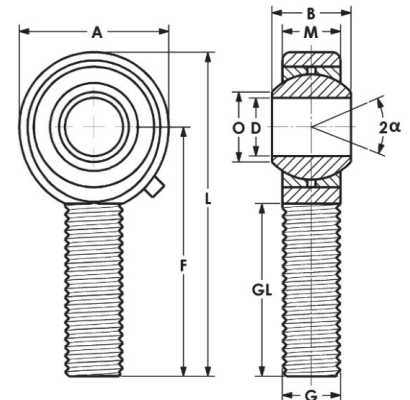
- Stainless Steel
- Grease Fitting for Re-Lube
- Right & Left Hand - External Threads
- Suited for Corrosive Environments

Housing: Stainless Steel 1.4057, AISI 431, forged, polished
 Sizes 40 made from stainless steel to 1.4057, AISI 431, turned

Insert: Special high strength bronze to CuSn8

Ball: Bearing steel 100Cr6, AISI 52100, hardened, ground, polished, hard chrome plated
 This series is also available sealed on request

Models Available



Right Hand Part No.	Left Hand Part No.	Size D	Dimensions (mm)								Static Load C ₀ kN	Dynamic Load C kN	Max Speed RPM	α°	Wt. g
			B	M	A	F	L	O	G	GL					
GARS 3*	GALRS 3*	3	6.0	4.50	14	26	33.0	5.1	M3 x 0.5	15	7.0	1.8	—	14	6
GARS 5*	GALRS 5*	5	8.0	6.00	18	33	42.0	7.7	M5 x 0.8	20	6.2	3.3	—	13	13
GARS 6	GALRS 6	6	9.0	6.75	20	36	46.0	8.9	M6 x 1.0	22	8.8	4.3	1500	13	20
GARS 8	GALRS 8	8	12.0	9.00	24	42	54.0	10.4	M8 x 1.25	25	16.1	7.0	1200	14	33
GARS 10	GALRS 10	10	14.0	10.50	28	48	62.0	12.9	M10 x 1.5	29	25.5	10.0	1000	13	56
GARS 12	GALRS 12	12	16.0	12.00	32	54	70.0	15.4	M12 x 1.75	33	34.5	13.5	860	13	87
GARS 14	GALRS 14	14	19.0	13.50	36	60	78.0	16.8	M14 x 2	36	39.5	17.0	750	16	129
GARS 16	GALRS 16	16	21.0	15.00	42	66	87.0	19.3	M16 x 2	40	60.5	21.5	660	15	189
GARS 18	GALRS 18	18	23.0	16.50	46	72	95.0	21.8	M18 x 1.5	44	73.0	26.0	600	15	267
GARS 20	GALRS 20	20	25.0	18.00	50	78	103.0	24.3	M20 x 1.5	47	83.0	31.5	540	14	348
GARS 22	GALRS 22	22	28.0	20.00	54	84	111.0	25.8	M22 x 1.5	51	100.0	38.0	500	15	443
GARS 25	GALRS 25	25	31.0	22.00	60	94	124.0	29.6	M24 x 2	58	118.0	47.0	440	15	600
GARS 30	GALRS 30	30	37.0	25.00	70	110	145.0	34.8	M30 x 2	71	155.0	64.0	370	17	1030
GARS 35	GALRS 35	35	43.0	28.00	80	125	165.0	37.7	M36 x 2	73	191.0	80.0	330	19	1600
GARS 40	GALRS 40	40	49.0	35.00	90	142	187.0	44.2	M42 x 2	78	235.0	116.0	290	16	2570

Note: * Without Lube Fitting