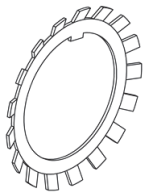
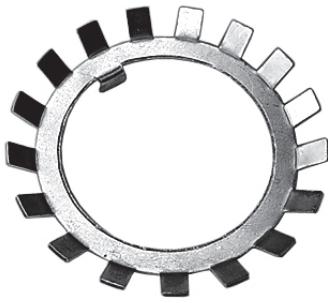


Inch Lock Washers

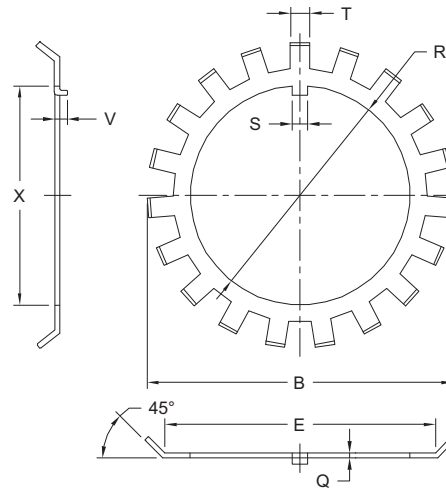


W00 Series

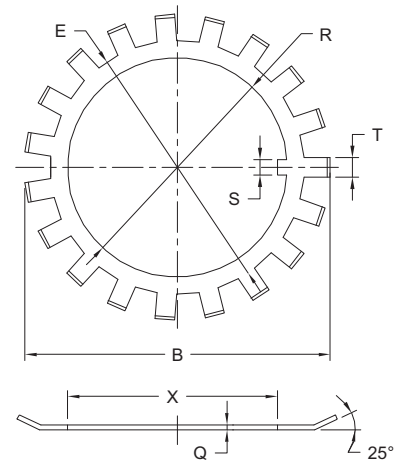
W000 Series



Models Available



W00 Series



W000 Series

Part No.	Bore R	E		B		S		X min.		No. of Tangs	V		T		Q	
		W00	W000	W00	W000	W00	W000	W00	W000		W00	W000	W00	W000	W00	W000
W00	—	0.406	0.625	—	0.875	—	0.120	—	0.334	9	0.062	0.120	—	0.032	—	
W01	—	0.484	0.719	—	1.016	—	0.120	—	0.412	9	0.062	0.120	—	0.032	—	
W02	—	0.601	0.813	—	1.156	—	0.120	—	0.529	11	0.062	0.120	—	0.032	—	
W03	—	0.679	0.938	—	1.328	—	0.120	—	0.607	11	0.062	0.120	—	0.032	—	
W04	—	0.801	1.125	—	1.531	—	0.176	—	0.729	11	0.062	0.166	—	0.032	—	
W05	—	0.989	1.281	—	1.719	—	0.176	—	0.909	13	0.094	0.166	—	0.040	—	
W06	—	1.193	1.500	—	1.922	—	0.176	—	1.093	13	0.094	0.166	—	0.040	—	
W07	—	1.396	1.813	—	2.250	—	0.176	—	1.296	15	0.094	0.166	—	0.040	—	
W08	—	1.583	2.000	—	2.469	—	0.290	—	1.475	15	0.094	0.234	—	0.048	—	
W09	—	1.792	2.281	—	2.734	—	0.290	—	1.684	17	0.125	0.234	—	0.048	—	
W10	—	1.992	2.438	—	2.922	—	0.290	—	1.884	17	0.125	0.234	—	0.048	—	
W11	—	2.182	2.656	—	3.109	—	0.290	—	2.069	17	0.125	0.234	—	0.053	—	
W12	—	2.400	2.844	—	3.344	—	0.290	—	2.267	17	0.125	0.234	—	0.053	—	
W13	—	2.588	3.063	—	3.578	—	0.290	—	2.455	19	0.125	0.234	—	0.053	—	
W14	—	2.791	3.313	—	3.828	—	0.290	—	2.658	19	0.188	0.234	—	0.053	—	
W15	—	2.973	3.563	—	4.109	—	0.290	—	2.831	19	0.188	0.328	—	0.062	—	
W16	—	3.177	3.844	—	4.375	—	0.353	—	3.035	19	0.188	0.328	—	0.062	—	
W17	—	3.395	4.031	—	4.625	—	0.353	—	3.253	19	0.188	0.328	—	0.062	—	
W18	—	3.582	4.281	—	4.938	—	0.353	—	3.418	19	0.188	0.328	—	0.084	—	
W19	—	3.800	4.563	—	5.219	—	0.353	—	3.636	19	0.188	0.328	—	0.084	—	
W20	—	3.988	4.813	—	5.500	—	0.353	—	3.809	19	0.250	0.328	—	0.084	—	
W21	—	4.192	5.000	—	5.703	—	0.353	—	4.013	19	0.250	0.390	—	0.084	—	
W22	W022	4.395	5.281	4.921	6.063	5.688	0.353	0.350	4.185	19	0.250	0.390	0.390	0.115	0.115	
W24	W024	4.801	5.688	5.333	6.469	6.188	0.353	0.350	4.591	19	0.250	0.390	0.390	0.115	0.115	
W26	W026	5.191	6.188	5.723	7.031	6.625	0.435	0.469	4.961	19	0.250	0.520	0.390	0.115	0.115	
W28	W028	5.582	6.531	6.129	7.438	7.094	0.590	0.594	5.352	19	0.250	0.520	0.390	0.115	0.115	
W30	W030	5.983	7.063	6.708	8.063	7.719	0.590	0.594	5.722	19	0.313	0.520	0.520	0.146	0.115	
W32	W032	6.389	7.438	7.114	8.438	8.156	0.590	0.594	6.128	19	0.313	0.520	0.520	0.146	0.115	
W34	W034	6.764	8.031	7.508	9.063	8.594	0.715	0.719	6.503	19	0.313	0.520	0.520	0.146	0.115	
W36	W036	7.171	8.375	7.899	9.438	9.000	0.715	0.719	6.910	19	0.313	0.645	0.520	0.146	0.115	
W38	W038	7.577	8.781	8.290	9.875	9.438	0.715	0.719	7.316	19	0.313	0.645	0.520	0.146	0.115	
W40	W040	7.982	9.156	8.774	10.313	9.969	0.840	0.844	7.721	19	0.313	0.645	0.645	0.146	0.115	
W44	W044	8.701	9.875	9.570	11.438	10.406	0.940	0.945	8.327	19	—	0.878	0.770	0.146	0.115	

Dimensions in inches