

Inch Lock Nuts



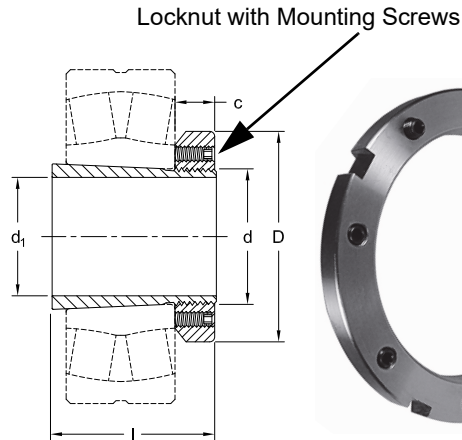
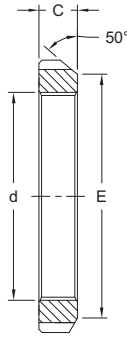
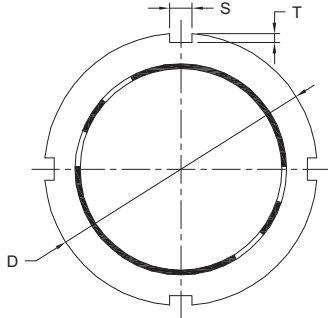
Standard & with Mounting Screws

N00 Series

AN00 Series



Standard Locknut



Models Available

Locknut w/ Mounting Screws allows easy bearing mounting as screws are tightened

Part No. Standard	Part No. with Mounting Screws	Threads		D	E	C	S min.	T max.	Wt. lb
		Major Dia. d	No. per Inch						
N00	—	0.391	32	0.755	0.625	0.229	0.120	0.073	0.01
N01	—	0.469	32	0.880	0.719	0.323	0.120	0.073	0.02
N02	—	0.586	32	1.005	0.813	0.323	0.120	0.104	0.02
N03	—	0.664	32	1.130	0.938	0.354	0.120	0.104	0.03
N04	—	0.781	32	1.380	1.125	0.385	0.178	0.104	0.04
N05	—	0.969	32	1.568	1.281	0.416	0.178	0.104	0.05
N06	—	1.173	18	1.755	1.500	0.416	0.178	0.104	0.10
N07	—	1.376	18	2.068	1.813	0.448	0.178	0.104	0.11
N08	—	1.563	18	2.255	2.000	0.448	0.240	0.104	0.19
N09	—	1.767	18	2.536	2.281	0.448	0.240	0.104	0.36
N10	—	1.967	18	2.693	2.438	0.510	0.240	0.104	0.33
N11	—	2.157	18	2.974	2.656	0.510	0.240	0.135	0.35
N12	—	2.360	18	3.161	2.844	0.541	0.240	0.135	0.38
N13	—	2.548	18	3.380	3.063	0.573	0.240	0.135	0.45
N14	—	2.751	18	3.630	3.313	0.573	0.240	0.135	0.53
AN15	—	2.933	12	3.880	3.563	0.604	0.360	0.135	0.63
AN16	—	3.137	12	4.161	3.844	0.604	0.360	0.135	0.88
AN17	—	3.340	12	4.411	4.031	0.635	0.360	0.166	0.99
AN18	—	3.527	12	4.661	4.281	0.698	0.360	0.166	1.23
AN19	—	3.730	12	4.943	4.563	0.729	0.360	0.166	1.45
AN20	AN20-MS	3.918	12	5.193	4.813	0.760	0.360	0.166	1.54
AN21	—	4.122	12	5.443	5.000	0.760	0.485	0.198	1.86
AN22	AN22-MS	4.325	12	5.724	5.281	0.791	0.485	0.198	2.13
AN24	AN24-MS	4.716	12	6.130	5.688	0.823	0.485	0.198	2.38
AN26	AN26-MS	5.106	12	6.755	6.188	0.885	0.610	0.260	2.76
AN28	AN28-MS	5.497	12	7.099	6.531	0.948	0.610	0.360	3.44
AN30	AN30-MS	5.888	12	7.693	7.063	0.979	0.610	0.391	4.48
AN32	AN32-MS	6.284	8	8.068	7.438	1.041	0.610	0.291	5.71
AN34	AN34-MS	6.659	8	8.661	8.031	1.073	0.610	0.291	6.17
AN36	AN36-MS	7.066	8	9.068	8.375	1.104	0.735	0.323	6.77
AN38	AN38-MS	7.472	8	9.474	8.781	1.135	0.735	0.323	7.47
AN40	AN40-MS	7.847	8	9.849	9.156	1.198	0.735	0.323	8.14
AN44	AN44-MS	8.628	8	11.005	9.843	1.260	0.980	0.510	11.5

Note: Other sizes available on request.

Dimensions in inches