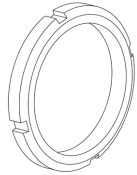
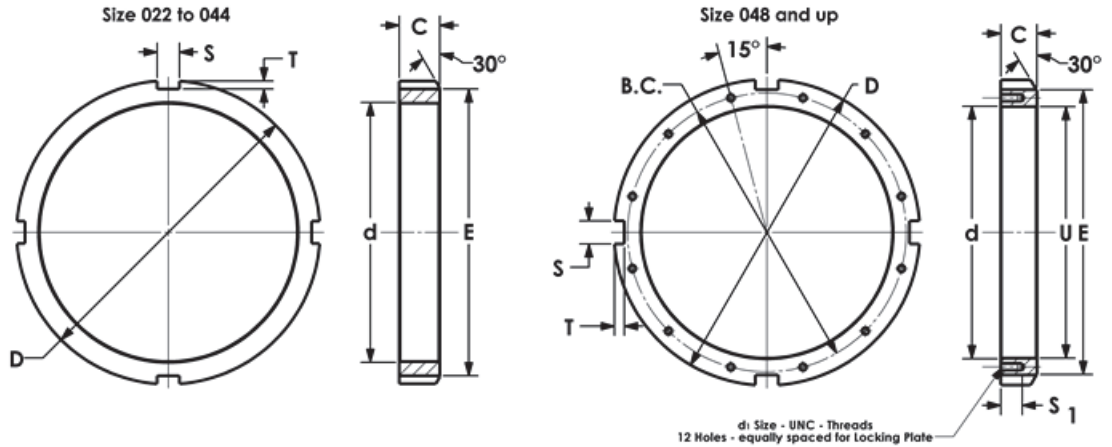


Inch Lock Nuts

N000 Series



Models Available



Dimensions in inches

| Part No. | Threads | | D | E | C | S | T | B.C. | d ₁ | S ₁ | Wt. lb |
|----------|--------------|--------------|--------|--------|-------|-------|-------|--------|----------------|----------------|--------|
| | Major Dia. d | No. per Inch | | | | | | | | | |
| N022 | 4.325 | 12 | 5.318 | 4.901 | 0.791 | 0.485 | 0.198 | — | — | — | 1.6 |
| N024 | 4.716 | 12 | 5.693 | 5.313 | 0.823 | 0.485 | 0.198 | — | — | — | 1.7 |
| N026 | 5.106 | 12 | 6.130 | 5.703 | 0.885 | 0.485 | 0.198 | — | — | — | 2.0 |
| N028 | 5.497 | 12 | 6.505 | 6.109 | 0.948 | 0.485 | 0.198 | — | — | — | 2.2 |
| N030 | 5.888 | 12 | 7.130 | 2.288 | 0.979 | 0.610 | 0.229 | — | — | — | 3.0 |
| N032 | 6.284 | 8 | 7.505 | 7.094 | 1.041 | 0.610 | 0.229 | — | — | — | 3.4 |
| N034 | 6.659 | 8 | 7.880 | 7.484 | 1.073 | 0.610 | 0.229 | — | — | — | 3.8 |
| N036 | 7.066 | 8 | 8.255 | 7.875 | 1.104 | 0.610 | 0.229 | — | — | — | 4.3 |
| N038 | 7.472 | 8 | 8.693 | 8.266 | 1.135 | 0.610 | 0.229 | — | — | — | 4.6 |
| N040 | 7.847 | 8 | 9.443 | 8.750 | 1.198 | 0.735 | 0.323 | — | — | — | 6.6 |
| N044 | 8.628 | 8 | 10.255 | 9.531 | 1.260 | 0.860 | 0.385 | — | — | — | 6.8 |
| N048 | 9.442 | 6 | 11.443 | 10.625 | 1.354 | 0.860 | 0.385 | 10.423 | 5/16-18 | 0.625 | 11.4 |
| N052 | 10.192 | 6 | 12.193 | 11.406 | 1.416 | 0.860 | 0.385 | 11.298 | 5/16-18 | 0.625 | 12.5 |
| N056 | 11.004 | 6 | 13.005 | 12.219 | 1.510 | 0.980 | 0.385 | 12.110 | 5/16-18 | 0.625 | 14.9 |
| N060 | 11.785 | 6 | 14.193 | 13.219 | 1.573 | 0.980 | 0.510 | 13.110 | 3/8-16 | 0.750 | 21.2 |
| N064 | 12.562 | 6 | 15.005 | 14.031 | 1.666 | 0.980 | 0.510 | 13.860 | 3/8-16 | 0.750 | 21.9 |
| N068 | 13.339 | 5 | 15.755 | 14.813 | 1.791 | 0.980 | 0.510 | 14.735 | 3/8-16 | 0.750 | 25.8 |
| N072 | 14.170 | 5 | 16.505 | 15.500 | 1.791 | 1.230 | 0.510 | 15.485 | 3/8-16 | 0.750 | 26.5 |
| N076 | 14.957 | 5 | 17.755 | 16.625 | 1.916 | 1.230 | 0.604 | 16.485 | 1/2-13 | 0.875 | 32.8 |
| N080 | 15.745 | 5 | 18.505 | 17.438 | 2.073 | 1.230 | 0.604 | 17.235 | 1/2-13 | 0.875 | 37.3 |
| N084 | 16.532 | 5 | 19.318 | 18.188 | 2.073 | 1.355 | 0.604 | 18.110 | 1/2-13 | 0.875 | 38.4 |
| N088 | 17.319 | 5 | 20.505 | 19.250 | 2.385 | 1.355 | 0.604 | 19.110 | 5/8-11 | 1.250 | 57.5 |
| N092 | 18.107 | 5 | 21.255 | 20.688 | 2.385 | 1.355 | 0.604 | 19.985 | 5/8-11 | 1.250 | 65.3 |
| N096 | 18.894 | 5 | 22.068 | 20.750 | 2.385 | 1.480 | 0.604 | 20.673 | 5/8-11 | 1.250 | 62.4 |