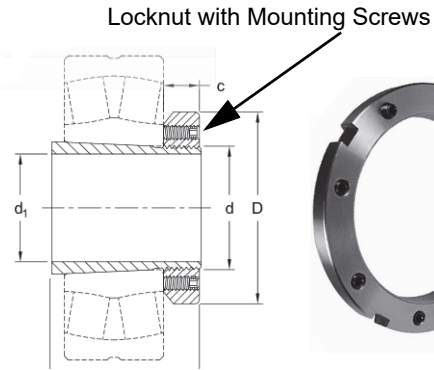
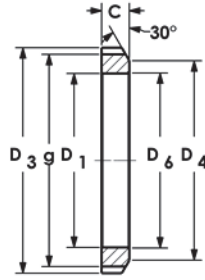
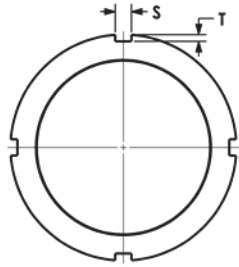


Metric Lock Nuts



Standard & Mounting Screw Type

KM Series KML Series



Standard Locknut



Models Available

Mounting screws simplify bearing mounting with a Torque Wrench rather than a Spanner Wrench

KM Series					KML Series				Dimensions					
Lock Nut Part No.	Part No. Locknut w/ Mounting Screws	D ₃	D ₄	g	Lock Nut Part No.	D ₃	D ₄	g	D ₁	C	S	T	D ₆	Wt. kg
KM0	—	18	13	14	—	—	—	—	M10 x 0.75	4	3	2	10.5	0.005
KM1	—	22	17	18	—	—	—	—	M12 x 1.00	4	3	2	12.5	0.007
KM2	—	25	21	21	—	—	—	—	M15 x 1.00	5	4	2	15.5	0.01
KM3	—	28	24	24	—	—	—	—	M17 x 1.00	5	4	2	17.5	0.01
KM4	—	32	26	26	—	—	—	—	M20 x 1.00	6	4	2	20.5	0.02
KM5	—	38	32	34	—	—	—	—	M25 x 1.50	7	5	2	25.8	0.03
KM6	—	45	38	41	—	—	—	—	M30 x 1.50	7	5	2	30.8	0.04
KM7	—	52	44	48	—	—	—	—	M35 x 1.50	8	5	2	35.8	0.05
KM8	—	58	50	53	—	—	—	—	M40 x 1.50	9	6	2.5	40.8	0.09
KM9	—	65	56	60	—	—	—	—	M45 x 1.50	10	6	2.5	45.8	0.12
KM10	—	70	61	65	—	—	—	—	M50 x 1.50	11	6	2.5	50.8	0.15
KM11	—	75	67	69	—	—	—	—	M55 x 2.00	11	7	3	56.0	0.16
KM12	—	80	73	74	—	—	—	—	M60 x 2.00	11	7	3	61.0	0.17
KM13	—	85	79	79	—	—	—	—	M65 x 2.00	12	7	3	66.0	0.20
KM14	—	95	85	85	—	—	—	—	M70 x 2.00	12	8	3.5	71.0	0.24
KM15	—	98	90	91	—	—	—	—	M75 x 2.00	13	8	3.5	76.0	0.29
KM16	—	105	95	98	—	—	—	—	M80 x 2.00	15	8	3.5	81.0	0.40
KM17	—	110	102	103	—	—	—	—	M85 x 2.00	16	8	3.5	86.0	0.45
KM18	—	120	108	112	—	—	—	—	M90 x 2.00	16	10	4	91.0	0.56
KM19	—	125	113	117	—	—	—	—	M95 x 2.00	17	10	4	96.0	0.66
KM20	—	130	120	122	—	—	—	—	M100 x 2.00	18	10	4	101.0	0.70
KM21	—	140	126	130	—	—	—	—	M105 x 2.00	18	12	5	106.0	0.85
KM22	KM22-MS	145	133	135	—	—	—	—	M110 x 2.00	19	12	5	111.0	0.97
KM23	—	150	137	140	—	—	—	—	M115 x 2.00	19	12	5	116.0	1.01
KM24	KM24-MS	155	138	145	KML24	145	135	135	M120 x 2.00	20	12	5	121.0	1.08
KM25	—	160	148	150	—	—	—	—	M125 x 2.00	21	12	5	126.0	1.19
KM26	KM26-MS	165	149	155	KML26	155	145	145	M130 x 2.00	21	12	5	131.0	1.25
KM27	—	175	160	163	—	—	—	—	M135 x 2.00	22	14	6	136.0	1.55
KM28	KM28-MS	180	160	168	KML28	165	155	153	M140 x 2.00	22	14	6	141.0	1.56
KM29	—	190	171	178	—	—	—	—	M145 x 2.00	24	14	6	146.0	2.00
KM30	KM30-MS	195	172	183	KML30	180	170	168	M150 x 2.00	24	14	6	151.0	2.03
KM31	—	200	182	186	—	—	—	—	M155 x 3.00	25	16	7	156.5	2.21
KM32	KM32-MS	210	182	196	KML32	190	180	176	M160 x 3.00	25	16	7	161.5	2.59
KM33	—	210	193	196	—	—	—	—	M165 x 3.00	26	16	7	166.5	2.43
KM34	KM34-MS	220	193	206	KML34	200	190	186	M170 x 3.00	26	16	7	171.5	2.80
KM36	KM36-MS	230	203	214	KML36	210	200	194	M180 x 3.00	27	18	8	181.5	3.07
KM38	KM38-MS	240	214	224	KML38	220	210	204	M190 x 3.00	28	18	8	191.5	3.39
KM40	KM40-MS	250	226	234	KML40	240	222	224	M200 x 3.00	29	18	8	201.5	3.69

Note: Other sizes available on request.

Dimensions in mm