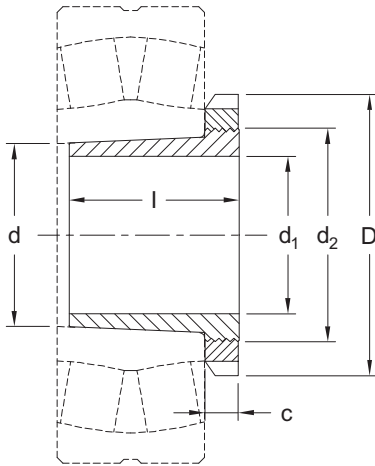


Withdrawal Sleeves



Metric Bores

AH 30, 31 and 32 Series



The removal nut must be ordered separately.

Withdrawal Sleeves, from size AH 2236 and AH 2340 are also available with oil ducts on the outer and inner diameter for hydraulic mounting.

Part No.	Dimensions (mm)				Thread	Removal Nut	C	D	Weight kg
	d	d ₁	d ₂	l					
AH3024	120	110	130	60	M130x2	KM26	21	165	1.2
AH3124	120	110	140	75	M140x2	KM28	22	180	1.7
AH3026	130	120	140	67	M140x2	KM28	22	180	1.4
AH3126	130	120	150	78	M150x2	KM30	24	195	1.9
AH3028	140	130	150	68	M150x2	KM30	24	195	1.6
AH3128	140	130	160	83	M160x3	KM32	25	210	2.2
AH3030	150	140	160	72	M160x3	KM32	25	210	1.8
AH3130	150	140	170	96	M170x3	KM34	26	220	2.7
AH3032	160	150	170	77	M170x3	KM34	26	220	2.1
AH3132	160	150	180	103	M180x3	KM36	27	230	3.2
AH3232	160	150	180	124	M180x3	KM36	27	230	4.1
AH3034	170	160	180	85	M180x3	KM36	27	230	2.4
AH3134	170	160	190	104	M190x3	KM38	28	240	3.4
AH3234	170	160	190	134	M190x3	KM38	28	240	4.8
AH3036	180	170	190	92	M190x3	KM38	28	240	2.8
AH3136	180	170	200	116	M200x3	KM40	29	250	4.2
AH3236	180	170	200	140	M200x3	KM40	29	250	5.3
AH3038	190	180	205	96	Tr205x4	HML41T	30	250	3.4
AH3138	190	180	210	125	Tr210x4	HM42T	30	270	4.9
AH3238	190	180	210	145	Tr210x4	HM42T	30	270	5.9
AH3040	200	190	215	102	Tr215x4	HML43T	30	260	3.8
AH3140	200	190	220	134	Tr220x4	HM44T	32	280	5.5
AH3240	200	190	220	153	Tr220x4	HM44T	32	280	6.7
AH3044	220	200	235	111	Tr235x4	HML47T	30	280	7.4
AH3144	220	200	240	145	Tr240x4	HM48T	34	300	10.4
AH3048	240	220	260	116	Tr260x4	HML52T	36	310	8.8
AH3148	240	220	260	154	Tr260x4	HM52T	36	330	12.0
AH3052	260	240	280	128	Tr280x4	HML56T	30	330	10.7
AH3152	260	240	290	172	Tr290x4	HM58T	36	365	16.2
AH3056	280	260	300	131	Tr300x4	HML60T	31	360	12.0
AH3156	280	260	310	175	Tr310x5	HM62T	36	380	17.5
AH3060	300	280	320	145	Tr320x5	HML64T	32	380	14.4
AH3160	300	280	330	192	Tr330x5	HM66T	40	410	20.8
AH3260	300	280	330	228	Tr330x5	HM66T	40	410	26.0
AH3064	320	300	345	149	Tr345x5	HML69T	33	410	16.0
AH3164	320	300	350	209	Tr350x5	HM70T	42	430	24.5
AH3264	320	300	350	246	Tr350x5	HM70T	42	430	30.6
AH3068	340	320	365	162	Tr365x5	HML73T	35	430	19.5
AH3168	340	320	370	225	Tr370x5	HM74T	45	450	29.0
AH3268	340	320	370	264	Tr370x5	HM74T	45	450	35.4
AH3072	360	340	385	167	Tr385x5	HML77T	37	450	21.0
AH3172	360	340	400	229	Tr400x5	HM80T	46	500	33.0
AH3272	360	340	400	274	Tr400x5	HM80T	46	500	41.5
AH3076	380	360	410	170	Tr410x5	HML82T	39	480	23.2
AH3176	380	360	420	232	Tr420x5	HM84T	49	520	35.7
AH3276	380	360	420	284	Tr420x5	HM84T	49	520	45.6
AH3080	400	380	430	183	Tr430x5	HML86T	41	500	27.3
AH3180	400	380	440	240	Tr440x5	HM88T	51	540	39.5
AH3280	400	380	440	302	Tr440x5	HM88T	51	540	51.7
AH3084	420	400	450	186	Tr450x5	HML90T	41	520	29.0
AH3184	420	400	460	266	Tr460x5	HM92T	53	550	46.5
AH3284	420	400	460	321	Tr460x5	HM92T	53	550	58.9