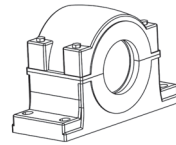
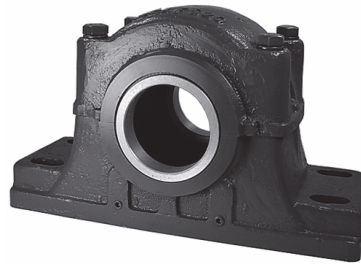


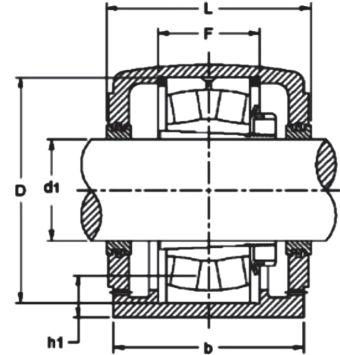
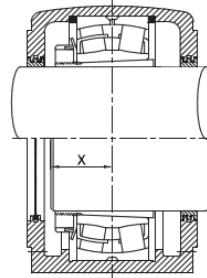
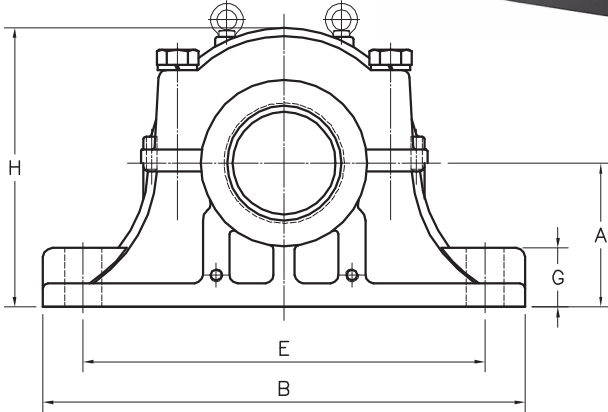
# Pillow Block Housings



## SDAF 232 Series



Models Available



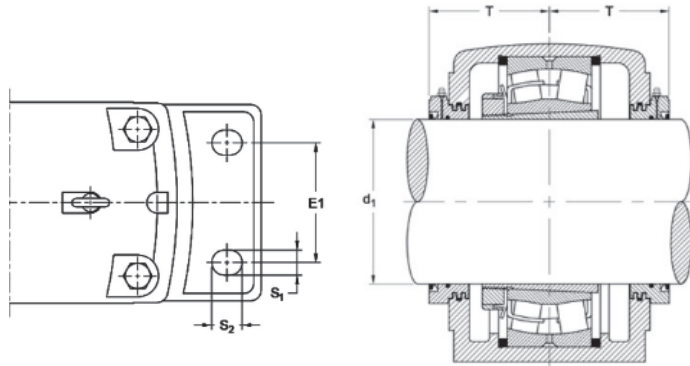
## SDAF 232 K - Housing Dimensions

Dimensions in inches

Housing No.	A	B	b	D		E		E1	F	G	H	Static Oil Level $h_1$	L	T	Cap Bolts (No. Required)	Base Bolts (No. Required)	S <sub>1</sub>	S <sub>2</sub>	X		Housing Wt. lb
				mm	Min	Max	mm												mm	in	
SDAF 3248 K x 8-15/16	10-1/4	35	13-1/8	440	29	30-1/2	8-3/4	180	3-3/4	20-7/8	3.2	14-1/4	8.75	(4) 1-1/4	(4) 1-5/8	1-3/4	2-1/8	121	4.76	1100	
SDAF 3252 K x 9-7/16 SDAF 3252 K x 9-1/2	12	38-1/4	14-3/4	480	32-7/8	33-3/8	9	194	4	23-7/16	3.1	15-1/2	9.50	(4) 1-1/4	(4) 1-5/8	1-3/4	2-1/8	130	5.12	1350	
SDAF 3256 K x 9-15/16 SDAF 3256 K x 10 SDAF 3256 K x 10-7/16 SDAF 3256 K x 10-1/2	12	38-1/4	14-3/4	500	32-7/8	33-3/8	9	196	4	23-7/16	3.5	15-1/2	9.50	(4) 1-1/4	(4) 1-5/8	1-3/4	2-1/8	134	5.28	1400	
SDAF 3260 K x 10-15/16 SDAF 3260 K x 11	12-13/16	41-3/4	15-3/4	540	35-1/8	36-3/8	10-1/2	212	4-1/2	25-3/4	3.8	16	10.38	(4) 1-1/4	(4) 1-7/8	1-3/4	2-1/8	141	5.55	1900	
SDAF 3264 K x 11-7/16 SDAF 3264 K x 11-1/2 SDAF 3264 K x 11-15/16 SDAF 3264 K x 12	14	43-3/4	17-3/4	580	36-3/4	38-1/4	10-3/4	228	5	27-7/8	4.0	18-3/4	11.25	(4) 1-1/2	(4) 2	2-1/8	2-7/8	151	5.94	2500	
SDAF 3268 K x 12-7/16 SDAF 3268 K x 12-1/2	14-1/2	46	17-1/8	620	39-1/4	40-3/4	11	244	5-1/4	29	4.6	17-1/4	10.88	(4) 1-1/2	(4) 2	2-3/8	3-1/8	172	6.77	2600	
SDAF 3272 K x 12-15/16 SDAF 3272 K x 13 SDAF 3272 K x 13-7/16 SDAF 3272 K x 13-1/2	15-1/2	48-3/4	18-3/4	650	41-3/4	43-1/2	12-1/4	252	5-1/2	30-1/2	4.6	19-1/4	12.00	(4) 1-1/2	(4) 2-1/4	2-3/8	3-1/4	179	7.05	2900	
SDAF 3276 K x 13-15/16 SDAF 3276 K x 14	15-1/2	48-3/4	18-3/4	680	41-3/4	43-1/2	12-1/4	260	5-1/2	30-1/2	4.3	19-1/4	12.00	(4) 1-1/2	(4) 2-1/4	2-3/8	3-1/4	185	7.28	3000	
SDAF 3280 K x 14-15/16 SDAF 3280 K x 15	17	53	21	720	41-3/4	46-1/8	14-1/2	276	5-1/2	33-3/4	4.8	19-1/4	13.25	(4) 1-1/2	(4) 2-1/4	2-3/8	3-1/4	196	7.72	4500	
SDAF 3284 K x 15-3/4	18	54-1/4	21-5/8	760	47-1/8	49-7/8	15	292	5-3/4	35-3/4	5.6	21-5/8	—	(4) 1-1/2	(4) 2-1/2	2-5/8	3-1/2	212	8.35	5000	
SDAF 3288 K x 16-1/2	18	54-1/4	21-5/8	790	47-1/8	48-7/8	15	300	5-3/4	35-3/4	5.3	21-5/8	13.50	(4) 1-1/2	(4) 2-1/2	2-5/8	3-1/2	216	8.50	5000	
SDAF 3292 K x 17	18	54-1/4	21-5/8	830	47-1/8	48-7/8	15	316	5-3/4	35-3/4	5.5	21-5/8	—	(4) 1-1/2	(4) 2-1/2	2-5/8	3-1/2	229	9.02	5000	
SDAF 3296 K x 18	20	60	22	870	52-3/8	54-1/8	16	330	6	40	5.2	21-5/8	13.50	(4) 2	(4) 3	2-5/8	3-1/2	236	9.59	5300	
SDAF32/500 K x 18-1/2	20	60	22	920	52-3/8	54-1/8	16	356	6	40	—	24-5/8	—	(4) 2	(4) 3	3-1/4	3-3/4	—	—	5300	
SDAF32/530 K x 19-1/2	23-1/4	64-1/8	26-5/8	980	63-3/8	65-1/8	19-5/8	375	6-1/4	47-1/4	—	27-3/4	—	(4) 2-1/2	(4) 3	3-1/4	3-3/4	—	—	5600	
SDAF32/600 K x 22	24-1/5	69	28-1/4	1090	59-5/8	61-3/8	20	408	7	48	—	29-1/2	—	(4) 2-1/2	(4) 3	3-1/8	3-7/8	—	—	5600	

# Pillow Block Housing Accessories

## SDAF 232 Series



Fixing Ring



LER Seal



TER-OS TAC Seal

## SDAF 232K - Pillow Block Part Numbers

Shaft Size d <sub>1</sub> in	Complete Pillow Part No.	Pillow Block Housing Only Part No.	Bearing Part No.	Basic Dynamic Load Rating C kN	Adapter Part No.	Labyrinth Seal Ring 2 Req'd Part No.	Fixing Ring 2 Req'd Part No.	End Cover Part No.	Taconite Seal Part No.
8-15/16	SDAF23248 K x 8-15/16	SDAF3248 K X 8-15/16	23248KC3W33	2500	OH3248 x 8-15/16	LER552	FR360 x 10	—	TER552
9-7/16	SDAF23252 K x 9-7/16	SDAF3252 K x 9-7/16	23252KC3W33	2760	OH3252 x 9-7/16	LER553	FR480 x 10	EPR5217-2	TER553
9-1/2	SDAF23252 K x 9-1/2	SDAF3252 K x 9-1/2			OH3252 x 9-1/2	LER178			
9-15/16	SDAF23256 K x 9-15/16	SDAF3256 K x 9-15/16	23256KC3W33	2930	OH3256 x 9-15/16	LER751	FR500 x 10	EPR5217-1	TER751
10	SDAF23256 K x 10	SDAF3256 K x 10			OH3256 x 10	ER705			TER705
10-7/16	SDAF23256 K x 10-7/16	SDAF3256 K x 10-7/16			OH3256 x 10-7/16	ER745			TER745
10-1/2	SDAF23256 K x 10-1/2	SDAF3256 K x 10-1/2			OH3256 x 10-1/2	ER710			TER710
10-15/16	SDAF23260 K x 10-15/16	SDAF3260 K x 10-15/16	23260KC3W33	3450	OH3260 x 10-15/16	ER858	FR540 x 10	EPR5217-9	TER858
11	SDAF23260 K x 11	SDAF3260 K x 11			OH3260 x 11	ER825			TER825
11-7/16	SDAF23264 K x 11-7/16	SDAF3264 K x 11-7/16	23264KC3W33	4000	OH3264 x 11-7/16	ER861	FR580 x 10	EPR5217-16	TER861
11-1/2	SDAF23264 K x 11-1/2	SDAF3264 K x 11-1/2			OH3264 x 11-1/2	ER832			TER832
11-15/16	SDAF23264 K x 11-15/16	SDAF3264 K x 11-15/16			OH3264 x 11-15/16	ER859			TER859
12	SDAF23264 K x 12	SDAF3264 K x 12			OH3264 x 12	ER818			TER818
12-7/16	SDAF23268 K x 12-7/16	SDAF3268 K x 12-7/16	23268KC3W33	4450	OH3268 x 12-7/16	ER865	FR620 x 10	EPR5217-29	TER865
12-1/2	SDAF23268 K x 12-1/2	SDAF3268 K x 12-1/2			OH3268 x 12-1/2	ER866			TER866
12-15/16	SDAF23272 K x 12-15/16	SDAF3272 K x 12-15/16	23272KC3W33	4850	OH3272 x 12-15/16	ER869	FR650 x 10	EPR5217-27	TER869
13	SDAF23272 K x 13	SDAF3272 K x 13			OH3272 x 13	ER846			TER846
13-7/16	SDAF23272 K x 13-7/16	SDAF3272 K x 13-7/16			OH3272 x 13-7/16	ER872			TER872
13-1/2	SDAF23272 K x 13-1/2	SDAF3272 K x 13-1/2			OH3272 x 13-1/2	ER823			TER823
13-15/16	SDAF23276 K x 13-15/16	SDAF3276 K x 13-15/16	23276KC3W33	5200	OH3276 x 13-15/16	ER875	FR680 x 10	EPR5217-12	TER875
14	SDAF23276 K x 14	SDAF3276 K x 14			OH3276 x 14	ER876			TER876
14-15/16	SDAF23280 K x 14-15/16	SDAF3280 K x 14-15/16	23280KC3W33	5850	OH3280 x 14-15/16	ER847R	FR720 x 10	EPR5217-21	TER847R
15	SDAF23280 K x 15	SDAF3280 K x 15			OH3280 x 15	ER847			TER847
15-3/4	SDAF23284 K x 15-3/4	SDAF3284 K x 15-3/4	23284KC3W33	6550	OH3284 x 15-3/4	ER969	FR760 x 10	EPR5217-23	TER969
16-1/2	SDAF23288 K x 16-1/2	SDAF3288 K x 16-1/2	23288KC3W33	6900	OH3288 x 16-1/2	ER958	FR790 x 10	EPR5217-25	TER958
17	SDAF23292 K x 17	SDAF3292 K x 17	23292KC3W33	7750	OH3292 x 17	ER838	FR830 x 10	EPR838	TER838
18	SDAF23296 K x 18	SDAF3296 K x 18	23296KC3W33	8300	OH3296 x 18	ER888	FR870 x 10	EPR888	TER888
18-1/2	SDAF232/500 K x 18-1/2	SDAF32/500 K x 18-1/2	232/500K C3W33	9300	OH32/500 x 18-1/2	ER978	FR920 x 10	EPR978	TER978
19-1/2	SDAF232/530 K x 19-1/2	SDAF32/530 K x 19-1/2	232/530K C3W33	11000	OH32/530 x 19-1/2	ER926	FR980 x 10	EPR926	TER926
22	SDAF232/600 K x 22**	SDAF32/600 K x 22	232/600K C3W33	13000	OH32/600 x 22	ER921	FR1090 x 10	EPR921	TER921

Note: Typical suffix to the bearing part number is KC3W33 where K indicates taper bore, C3 is the internal clearance and W33 indicates a lube groove on the bearing O.D. For example specify 23256 K C3W33. Other bearing clearances available upon request. \*\* Available in an Asymmetric Housing Design.