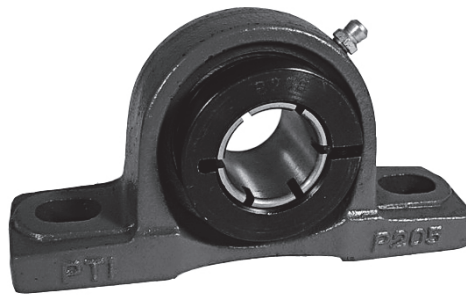


Pillow Block

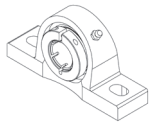


CLP 200 PTI Series

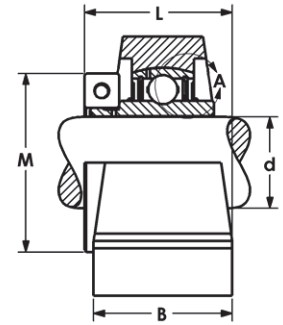
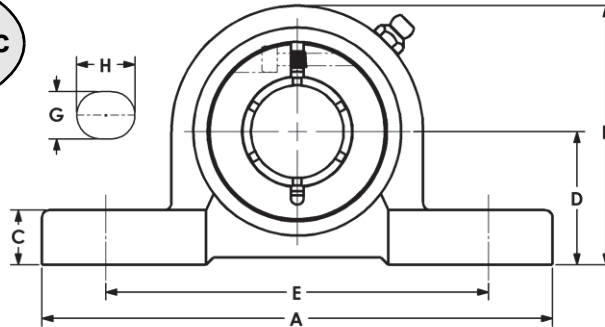
- Normal Duty Bearing
- Cast Iron Housing
- Concentric Collar Lock
- High Center Height
- Metric and Inch Bores
- Solid Base Optional



The locking collar provides for a concentric fit to the shaft.



Models Available



Part No.	Shaft Size d		Dimensions (mm) (in)									Bearing No.	Housing No.	Wt. kg
	mm	in	A	B	C	D	E	F	G	H	L			
CLP204-20MM	20		127	38	14	33.3	95	65	13	19	38.8	CL204-20MM	P 204	0.5
CLP204-12		3/4	5.00	1.50	0.55	1.312	3.75	2.56	0.51	0.75	1.53	CL204-12	P204SB*	
CLP205-25MM	25		140	38	15	36.5	105	71	13	19	41.2	CL205-25MM	P 205 P205SB*	0.7
CLP205-14		7/8	5.51	1.50	0.59	1.437	4.13	2.80	0.51	0.75	1.62	CL205-14		
CLP205-15		15/16										CL205-15		
CLP205-16		1										CL205-16		
CLP206-30MM	30		165	48	17	42.9	121	83	17	21	47.8	CL206-30MM	P 206 P206SB*	1.1
CLP206-18		1-1/8	6.50	1.89	0.67	1.687	4.76	3.27	0.67	0.83	1.88	CL206-18		
CLP206-19		1-3/16										CL206-19		
CLP206-20		1 1/4										CL206-20		
CLP207-35MM	35		167	48	18	47.6	127	93	17	21	51.0	CL207-35MM	P 207 P207SB*	1.3
CLP207-20		1-1/4	6.57	1.89	0.71	1.875	5.00	3.66	0.67	0.83	2.01	CL207-20		
CLP207-22		1-3/8										CL207-22		
CLP207-23		1- 7/16										CL207-23		
CLP208-40MM	40		184	54	18	49.2	137	98	17	23	58.8	CL208-40MM	P 208 P208SB*	1.7
CLP208-24		1-1/2	7.24	2.13	0.71	1.937	5.39	3.86	0.67	0.91	2.31	CL208-24		
CLP209-45MM	45		190	54	20	54	146	106	17	23	58.8	CL209-45MM	P 209 P209SB*	1.8
CLP209-26		1-5/8	7.48	2.13	0.79	2.125	5.75	4.17	0.67	0.91	2.31	CL209-26		
CLP209-27		1-11/16										CL209-27		
CLP209-28		1-3/4										CL209-28		
CLP210-50MM	50		206	60	21	57.2	159	114	20	25	64.1	CL210-50MM	P 210 P210SB*	2.3
CLP210-31		1-15/16	8.11	2.37	0.83	2.250	6.26	4.49	0.79	0.98	2.52	CL210-31		
CLP210-32		2										CL210-32		
CLP211-55MM	55		219	60	23	63.5	171	126	20	25	64.9	CL211-55MM	P 211 P211SB*	2.9
CLP211-32		2	8.62	2.37	0.91	2.500	6.73	4.96	0.79	0.98	2.56	CL211-32		
CLP211-34		2-1/8										CL211-34		
CLP211-35		2-3/16										CL211-35		
CLP212-60MM	60		241	70	25	69.8	184	138	20	25	76.3	CL212-60MM	P 212 P212SB*	4.5
CLP212-36		2-1/4	9.49	2.76	0.98	2.750	7.24	5.43	0.79	0.98	3.00	CL212-36		
CLP212-38		2-3/8										CL212-38		
CLP212-39		2-7/16										CL212-39		

Note: Other sizes available on request. * Indicates Solid Base Housing available.