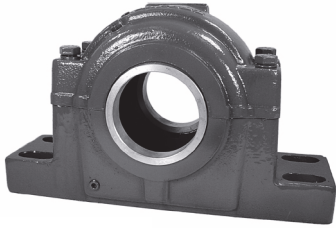


Pillow Block Housings

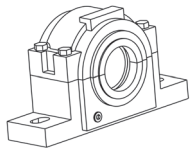


SAF 300 Series

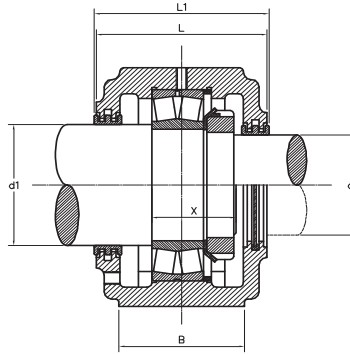
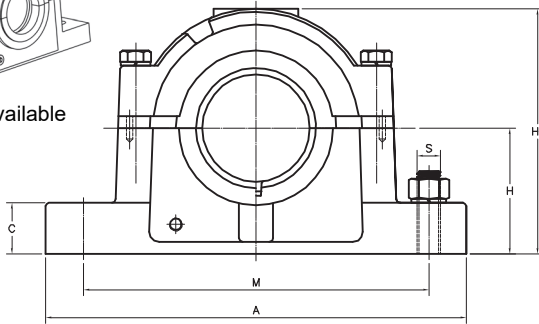


These Pillow Block Housings accept self-aligning ball or spherical roller bearings with straight bores. They are available in Cast Iron (SAF) or Cast Steel (SAFS). SAF = 2-bolt base, FSAF = 4-bolt base, SAF 318 through SAF 338 only with 4-bolt

base. SAF housings are supplied standard with triple labyrinth seals. FSAF 311 through FSAF 317 are made to order. Each housing includes a fixing ring for non-expansion. Removing the ring allows bearing expansion.



Models Available



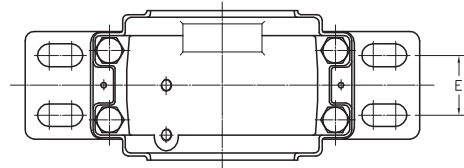
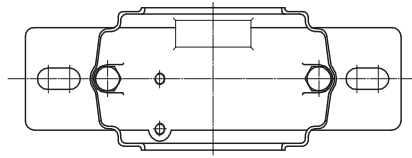
Dimensions in inches

Part No.	Shaft Size		A	B	C	E	H	H ₁	L	L ₁	M _{min}	M _{max}	S Bolt	X	Housing Wt. lb
	d ₁	d ₂													
SAF 308	1-15/16	1-7/16	8.25	2.38	1.00	—	2.500	4.81	3.88	4.00	6.25	7.00	(2) 1/2	1.06	10
SAF 309	2-1/8	1-11/16	9.63	2.75	1.00	—	2.750	5.31	4.13	4.25	7.38	7.88	(2) 5/8	1.06	13
SAF 310	2-3/8	1-7/8	10.63	2.75	1.13	—	3.000	5.81	4.50	4.63	7.75	9.00	(2) 5/8	1.13	17
SAF 311	2-9/16	2-1/16	11.00	3.13	1.19	—	3.250	6.19	4.75	4.88	8.13	9.50	(2) 5/8	1.19	21
FSAF 311	2-9/16	2-1/16	11.00	3.13	1.19	2.00	3.250	6.19	4.75	4.88	8.13	9.50	(4) 1/2	1.19	21
SAF 312	2-7/8	2-1/4	11.25	3.13	1.19	—	3.250	6.38	5.13	5.25	8.63	9.38	(2) 5/8	1.19	25
FSAF 312	2-7/8	2-1/4	11.25	3.13	1.19	1.88	3.250	6.38	5.13	5.25	8.63	9.38	(4) 1/2	1.19	25
SAF 313	3-1/16	2-7/16	13.00	3.50	1.25	—	3.500	6.94	5.25	5.38	9.63	11.00	(2) 3/4	1.38	30
FSAF 313	3-1/16	2-7/16	13.00	3.50	1.25	2.13	3.500	6.94	5.25	5.38	9.63	11.00	(4) 5/8	1.38	30
SAF 314	3-1/4	2-5/8	13.00	3.50	1.25	—	3.750	7.38	5.25	5.38	9.88	11.00	(2) 3/4	1.38	32
FSAF 314	3-1/4	2-5/8	13.00	3.50	1.25	2.13	3.750	7.38	5.25	5.38	9.88	11.00	(4) 5/8	1.38	32
SAF 315	3-7/16	2-13/16	13.75	3.88	1.31	—	4.000	7.81	5.88	6.25	10.38	11.63	(2) 3/4	1.38	41
FSAF 315	3-7/16	2-13/16	13.75	3.88	1.31	2.13	4.000	7.81	5.88	6.25	10.38	11.63	(4) 5/8	1.38	41
SAF 316	3-5/8	3	14.25	3.88	1.31	—	4.250	8.25	6.13	6.50	10.63	12.63	(2) 3/4	1.38	49
FSAF 316	3-5/8	3	14.25	3.88	1.31	2.13	4.250	8.25	6.13	6.50	10.63	12.63	(4) 5/8	1.38	49
SAF 317	3-15/16	3-3/16	15.25	4.38	1.75	—	4.500	8.75	6.50	6.75	11.63	13.13	(2) 7/8	1.56	65
FSAF 317	3-15/16	3-3/16	15.25	4.38	1.75	2.38	4.500	8.75	6.50	6.75	11.63	13.13	(4) 3/4	1.56	65
SAF 318	4-1/8	3-3/8	15.50	4.38	2.00	2.25	4.750	9.19	6.63	6.88	12.00	13.50	(4) 3/4	2.16	75
SAF 320	4-1/2	3-13/16	16.50	4.75	2.13	2.75	5.250	10.25	7.13	7.38	13.25	14.50	(4) 3/4	2.44	91
SAF 322	4-7/8	4-3/16	18.38	5.13	2.38	3.25	6.000	11.50	7.75	8.00	14.63	16.00	(4) 7/8	2.59	120
SAF 324	5-5/16	4-9/16	21.25	6.25	2.50	3.75	6.313	12.50	8.13	8.38	17.00	18.25	(4) 1	2.75	166
SAF 326	5-7/8	4-15/16	22.00	6.25	2.63	3.75	6.688	13.31	8.50	8.75	17.38	19.25	(4) 1	2.94	184
SAF 328	6-1/4	5-5/16	24.75	6.75	2.75	4.25	7.063	14.19	9.25	9.38	19.38	21.63	(4) 1	3.16	243
SAF 330	6-5/8	5-3/4	26.75	7.13	3.00	4.63	7.500	14.88	9.63	9.75	20.88	23.63	(4) 1	3.41	259
SAF 332	7	6-1/16	28.00	7.50	3.13	4.50	7.875	15.69	10.50	10.63	21.63	24.38	(4) 1-1/4	3.59	299
SAF 334	7-7/16	6-7/16	29.50	8.00	3.38	5.00	8.250	16.50	11.00	11.25	22.50	25.00	(4) 1-1/4	3.75	355
SAF 336	7-13/16	6-7/8	31.25	8.25	3.50	5.25	8.875	17.75	11.25	11.38	24.00	26.63	(4) 1-1/4	3.90	360
SAF 338	8-3/8	7-1/4	32.75	8.75	3.75	5.25	9.500	18.63	11.75	12.00	24.75	27.88	(4) 1-1/2	4.06	477
SAF 340	8-3/4	7-5/8	34.25	9.00	4.00	5.50	9.875	20.0	11.87	12.06	26.25	29.50	(4) 1-1/2	4.25	480

Pillow Block Housings



SAF 300 Series



Housing Part No.	Bearing Part No.	Basic Dynamic Rating C kN	Shaft Size		Locknut Part No.	Lock-washer Part No.	Seals		Fixing Rings		End Cover Part No.
			d1	d2			d1	d2	Part No.	Qty.	
SAF 308	1308	29	1-15/16	1-7/16	N08	W08	LER 24	LER 17	FR90 x 10	2	EPR03
	2308	45							FR90 x 10	1	
	21308	82							FR90 x 10	2	
	22308	112							FR90 x 10	1	
SAF 309	1309	38	2-1/8	1-11/16	N09	W09	LER 28	LER 20	FR100 x 10.5	2	EPR04
	2309	54							FR100 x 10	1	
	21309	100							FR100 x 10.5	2	
	22309	135							FR100 x 10	1	
SAF 310	1310	41.5	2-3/8	1-7/8	N10	W10	LER 35	LER 23	FR110 x 11.5	2	EPR05
	2310	64							FR110 x 10	1	
	21310	120							FR110 x 11.5	2	
	22310	175							FR110 x 10	1	
SAF 311 FSAF 311	1311	51	2-9/16	2-1/16	N11	W11	LER 40	LER 27	FR120 x 12	2	EPR06
	2311	75							FR120 x 10	1	
	21311	138							FR120 x 12	2	
	22311	195							FR120 x 10	1	
SAF 313 FSAF 313	1313	62	3-1/16	2-7/16	N13	W13	LER 55	LER 37	FR140 x 12.5	2	EPR07
	2313	95							FR140 x 10	1	
	21313	184							FR140 x 12.5	2	
	22313	250							FR140 x 10	1	
SAF 314 FSAF 314	1314	75	3-1/4	2-5/8	N14	W14	LER 64	LER 43	FR150 x 12.5	2	—
	2314	110							FR150 x 10	1	
	21314	207							FR150 x 12.5	2	
	22314	310							FR150 x 10	1	
SAF 315 FSAF 315	1315	80	3-7/16	2-13/16	AN15	W15	LER 79	LER 46	FR160 x 14	2	EPR08
	2315	122							FR160 x 10	1	
	21315	234							FR160 x 14	2	
	22315	340							FR160 x 10	1	
SAF 316 FSAF 316	1316	88	3-5/8	3	AN16	W16	LER 84	LER 60	FR170 x 14.5	2	EPR10
	2316	137							FR170 x 10	1	
	21316	255							FR170 x 14.5	2	
	22316	370							FR170 x 10	1	
SAF 317 FSAF 317	1317	98	3-15/16	3-3/16	AN17	W17	LER 109	LER 188	FR180 x 14.5	2	EPR11
	2317	140							FR180 x 10	1	
	21317	290							FR180 x 14.5	2	
	22317	420							FR180 x 10	1	
SAF 318 FSAF 318	1318	108	4-1/8	3-3/8	AN18	W18	LER 112	LER 191	FR190 x 15.5	2	EPR11
	2318	153							FR190 x 10	1	
	21318	320							FR190 x 15.5	2	
	22318	475							FR190 x 10	1	
SAF 320	1320	143	4-1/2	3-13/16	AN20	W20	LER 118	LER 106	FR215 x 18	2	EPR12
	2320	190							FR215 x 10	1	
	21320	380							FR215 x 18	2	
	22320	600							FR215 x 10	1	
SAF 322	1322	160	4-7/8	4-3/16	AN22	W22	LER121	LER 113	FR240 x 20	2	EPR14
	21322	460							FR240 x 20	2	
	22322	720							FR240 x 10	1	
	SAF 324	22324							840	5-5/16	
SAF 326	22326	970	5-7/8	4-15/16	AN26	W26	LER 136	LER 122	FR280 x 10	1	EPR27
SAF 328	22328	1120	6-1/4	5-5/16	AN28	W28	LER 144	LER 127	FR300 x 10	1	EPR16
SAF 330	22330	1250	6-5/8	5-3/4	AN30	W30	LER 151	LER 134	FR320 x 10	1	EPR17
SAF 332	22332	1375	7	6-1/16	AN32	W32	LER 156	LER 142	FR340 x 10	1	EPR18
SAF 334	22334	1540	7-7/16	6-7/16	AN34	W34	LER 161	LER 148	FR360 x 10	1	EPR19
SAF 336	22336	1725	7-13/16	6-7/8	AN36	W36	LER 165	LER 154	FR380 x 10	1	EPR 20
SAF 338	22338	1860	8-3/8	7-1/4	AN38	W38	LER 171	LER 160	FR400 x 10	1	EPR21
SAF 340	22340	2010	8-3/4	7-5/8	AN40	W40	LER 175	LER 164	FR420 x 10	1	EPR 22

Note: Bearing Part Number in bold face is a double row straight bore spherical and the most popular. Typical suffix to the bearing part number is C3W33 where C3 is the internal clearance and W33 indicates a lube groove on the bearing O.D. Example: 22320C3W33.