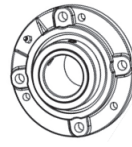


# SRE Spherical Roller Bearings

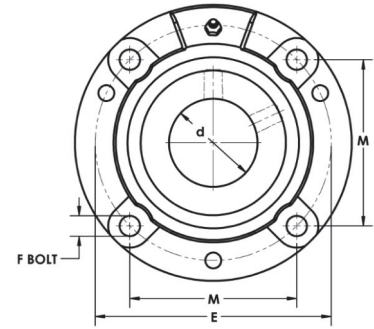


## SRE-FC Series 4-Bolt Piloted Flange

- Piloted 4-Bolt Flange Design
- Single Locking Collar
- Ductile Iron Housing
- Interchanges with Tapered E-Series Expansion & Non-Expansion Units
- Self-Aligning (+/- 1-1/2°)
- Triple Lip Seals
- Teflon Seals & End Cover Options



Models Available



Housing Size	Shaft Size d	Single Locking Collar Pillow Block			Basic Dynamic Load Rating C (Lbs)*	Basic Static Load Rating Co (Lbs)*	Max Speed (RPM) Triple Lip Grease	Max Speed (RPM) Teflon Labyrinth	Max Speed (RPM) Metal Labyrinth
		Part No. Expansion	Part No. Non-Expansion	Wt. Lb					
208	30mm	SRE-FC-30MMR3XP	SRE-FC-30MMR3NE	5	17,540	20,230	2750	3600	3600
	35mm	SRE-FC-35MMR3XP	SRE-FC-35MMR3NE	5					
	1-7/16	SRE-FC-107R3XP	SRE-FC-107R3NE	5					
209	40mm	SRE-FC-40MMR3XP	SRE-FC-40MMR3NE	8	17,980	21,360	2425	3360	3360
	45mm	SRE-FC-45MMR3XP	SRE-FC-45MMR3NE	8					
	1-1/2	SRE-FC-108R3XP	SRE-FC-108R3NE	5					
	1-11/16	SRE-FC-111R3XP	SRE-FC-111R3NE	8					
210	50MM	SRE-FC-50MMR3XP	SRE-FC-50MMR3NE	9	20,230	24,730	2225	3180	3180
	1-3/4	SRE-FC-112R3XP	SRE-FC-112R3NE	8					
	1-15/16	SRE-FC-115R3XP	SRE-FC-115R3NE	9					
	2	SRE-FC-200R3XP	SRE-FC-200R3NE	9					
211	55mm	SRE-FC-55MMR3XP	SRE-FC-55MMR3NE	12	23,600	28,100	2000	2800	2800
	2-3/16	SRE-FC-203R3XP	SRE-FC-203R3NE	12					
213	60mm	SRE-FC-60MMR3XP	SRE-FC-60MMR3NE	16	37,090	46,090	1700	2360	2360
	2-7/16	SRE-FC-207R3XP	SRE-FC-207R3NE	16					
	2-1/2	SRE-FC-208R3XP	SRE-FC-208R3NE	16					
215	65mm	SRE-FC-65MMR3XP	SRE-FC-65MMR3NE	25	41,590	52,830	1500	2150	2150
	70mm	SRE-FC-70MMR3XP	SRE-FC-70MMR3NE	25					
	75mm	SRE-FC-75MMR3XP	SRE-FC-75MMR3NE	24					
	2-11/16	SRE-FC-211R3XP	SRE-FC-211R3NE	25					
	2-3/4	SRE-FC-212R3XP	SRE-FC-212R3NE	25					
	2-15/16	SRE-FC-215R3XP	SRE-FC-215R3NE	24					
218	80mm	SRE-FC-80MMR3XP	SRE-FC-80MMR3NE	32	62,950	83,180	1250	1600	1600
	85mm	SRE-FC-85MMR3XP	SRE-FC-85MMR3NE	32					
	90mm	SRE-FC-90MMR3XP	SRE-FC-90MMR3NE	32					
	3-7/16	SRE-FC-307R3XP	SRE-FC-307R3NE	32					
	3-1/2	SRE-FC-308R3XP	SRE-FC-308R3NE	32					
220	100mm	SRE-FC-100MMR3XP	SRE-FC-100MMR3NE	43	84,300	112,400	1100	1350	1350
	3-15/16	SRE-FC-315R3XP	SRE-FC-315R3NE	43					
	4	SRE-FC-400R3XP	SRE-FC-400R3NE	43					

Note: \* For load ratings in Newtons, multiply Lbs by 4.44.

## Optional Teflon Seals & End Covers 208-213 Sizes (215-220 continued on next page)

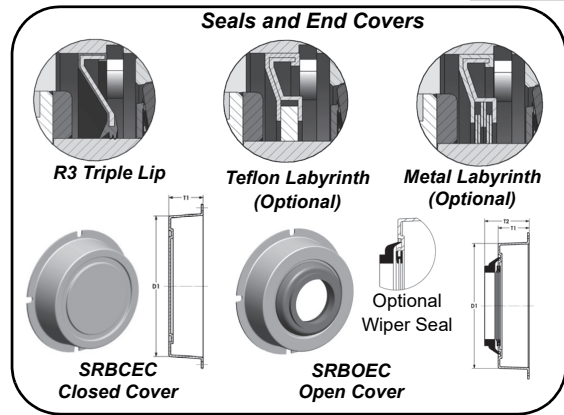
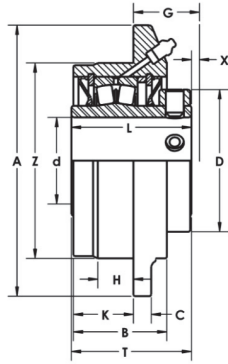
Housing Size	Shaft Size d	Units with Teflon Seals		Open End Cover Components		Closed End Cover Part No.	Dimensions (mm)/(in)
		Part No. Expansion	Part No. Non-Expansion	Open End Cover Part No.	Wiper Seal Part No.		
208	30mm	SRE-FC-30MMTLXP	SRE-FC-30MMTLNE	SRBOEC208-30MM	—	SRBCEC208	34
	35mm	SRE-FC-35MMTLXP	SRE-FC-35MMTLNE	SRBOEC208-35MM	—		
209	1-7/16	SRE-FC-107TLXP	SRE-FC-107TLNE	SRBOEC208-23	LER17DC	SRBCEC209	1.3
	40mm	SRE-FC-40MMTLXP	SRE-FC-40MMTLNE	SRBOEC209-40MM	—		
	45mm	SRE-FC-45MMTLXP	SRE-FC-200TLNE	SRBOEC209-45MM	—		
	1-1/2	SRE-FC-108TLXP	SRE-FC-108TLNE	SRBOEC208-24	LER20DC		
	1-11/16	SRE-FC-111TLXP	SRE-FC-111TLNE	SRBOEC209-27			
210	50mm	SRE-FC-50MMTLXP	SRE-FC-50MMTLNE	SRBOEC210-50MM	—	SRBCEC210	34
	1-3/4	SRE-FC-200TLXP	SRE-FC-200TLNE	SRBOEC210-31	LER24DC		
	1-15/16	SRE-FC-115TLXP	SRE-FC-115TLNE	SRBOEC210-32			
211	55mm	SRE-FC-55MMTLXP	SRE-FC-55MMTLNE	SRBOEC211-55MM	—	SRBCEC211	38
	2-3/16	SRE-FC-203TLXP	SRE-FC-203TLNE	SRBOEC211-35	LER29DC		
213	60mm	SRE-FC-60MMTLXP	SRE-FC-60MMTLNE	SRBOEC213-60MM	—	SRBCEC213	41
	2-7/16	SRE-FC-207TLXP	SRE-FC-207TLNE	SRBOEC213-39	LER37DC		
	2-1/2	SRE-FC-208TLXP	SRE-FC-208TLNE	SRBOEC213-40			

Note: Open End Covers include the steel cover and internal double lip shaft seal. The Wiper Seal is optional and may be ordered separately.

# SRE Spherical Roller Bearings



## SRE-FC Series 4Bolt Piloted Flange



Housing Size	Shaft Size d	Dismount Thread	Dimensions (mm) / (in)													
			A	B	C	D	E	F Bolt	G	H	K	L	M	T	X Expansion	Z (+0.000 -0.002)
208	30mm	5/16-18	133.4	79.5	12.7	60.5	111.1	M10	40.1	19	33.3	69.9	75.6	—	0.16	—
	35mm		5.25	3.13	0.50	2.38	4.375	3/8	1.58	0.75	1.31	2.75	3.094	—	4mm	3.625
209	40mm	5/16-18	155.7	63.5	12.7	66.8	130.2	M12	41.9	22.4	40.4	73.2	92.1	—	0.24	107.95
	45mm		6.13	2.50	0.50	2.63	5.125	7/16	1.65	0.88	1.59	2.88	3.625	—	6mm	4.250
210	50mm	5/16-18	162.1	63.5	14.3	73.0	136.5	M12	41.1	22.2	41.4	73	96.5	—	0.24	114.3
	1-3/4		6.38	2.50	0.56	2.88	5.375	7/16	1.62	0.88	1.63	2.88	3.800	3.24	6mm	4.500
211	55mm	5/16-18	181.0	62	14.2	82.5	152.4	M12	46.7	25.4	38.1	79.4	4.24	3.3	0.24	127
	2-3/16		7.13	2.44	0.56	3.25	6.000	1/2	1.84	1.00	1.50	3.13	4.242	3.34	6mm	5.000
213	60mm	7/16-14	193.7	66.7	15.9	101.6	165.1	M12	47.5	25.4	42.9	85.7	117.71	90.3	0.24	139.7
	2-7/16		7.63	2.63	0.63	4.00	6.500	1/2	1.87	1.00	1.69	3.38	4.595	3.56	6mm	5.500
215	65mm	7/16-14	222	79.4	19	114.3	190.5	M16	5.2	31.8	50.8	92.1	134.7	103	0.24	161.9
	70mm		8.75	3.13	0.75	4.50	7.500	5/8	2.06	1.25	2.00	3.63	5.302	4.06	6mm	6.375
218	80mm	7/16-14	260	81	23.8	130.2	219.1	M20	64.9	31.75	44.5	102.4	154.9	109.3	0.24	187.3
	85mm		10.25	3.19	0.94	5.13	8.625	3/4	2.55	1.25	1.75	4.03	6.098	4.30	6mm	7.375
220	90mm	1/2-13	276	92	25.4	152.4	238.1	M20	74.2	38.1	50.8	116.6	168.4	125	0.28	206.4
	3-7/16		10.88	3.63	1.00	6.00	9.375	3/4	2.92	1.50	2.00	4.59	6.63	4.92	7mm	8.125

### Optional Teflon Seals & End Covers 215-220 Sizes (208-213 sizes on previous page)

Housing Size	Shaft Size d	Units with Teflon Seals		Open End Cover Components		Closed End Cover Part No.	Dimensions (mm) (in)		
		Part No. Expansion	Part No. Non-Expansion	Open End Cover Part No.	Wiper Seal Part No.		D1	T1	T2
215	65mm	SRE-FC-65MMLXP	SRE-FC-65MMLNE	SRBOEC215-65MM	—	SRBCEC215	132.1	32.5	47.2
	70mm	SRE-FC-70MMLXP	SRE-FC-70MMLNE	SRBOEC215-70MM	LER44DC				
	75mm	SRE-FC-75MMLXP	SRE-FC-75MMLNE	SRBOEC215-75MM	LER53DC				
	2-11/16	SRE-FC-211TLXP	SRE-FC-211TLNE	SRBOEC215-43	LER44DC	5.2	1.28	1.86	
	2-3/4	SRE-FC-212TLXP	SRE-FC-212TLNE	SRBOEC215-44	LER53DC				
	2-15/16	SRE-FC-215TLXP	SRE-FC-215TLNE	SRBOEC215-47					
3	SRE-FC-300TLXP	SRE-FC-300TLNE	SRBOEC215-48						
218	80mm	SRE-FC-80MMLXP	SRE-FC-80MMLNE	SRBOEC218-80MM	—	SRBCEC218	160	32.5	45.5
	85mm	SRE-FC-85MMLXP	SRE-FC-85MMLNE	SRBOEC218-85MM	LER102DC				
	90mm	SRE-FC-90MMLXP	SRE-FC-90MMLNE	SRBOEC218-90MM		6.3	1.28	1.79	
	3-7/16	SRE-FC-307TLXP	SRE-FC-307TLNE	SRBOEC218-55	LER102DC				
220	100mm	SRE-FC-100MMLXP	SRE-FC-100MMLNE	SRBOEC220-100MM	LER109DC	SRBCEC220	180.3	38.1	54.1
	3-15/16	SRE-FC-400TLXP	SRE-FC-400TLNE	SRBOEC220-63	LER109DC				

Note: Open End Covers include the steel cover and internal double lip shaft seal. The Wiper Seal is optional and may be ordered separately.