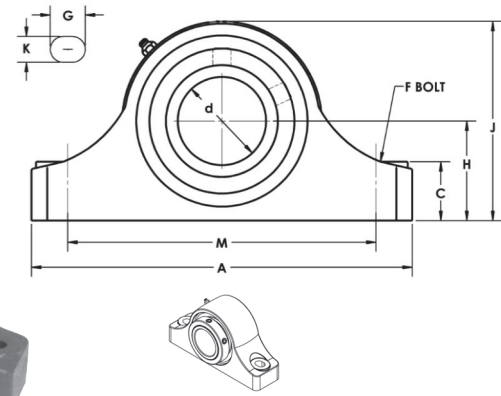
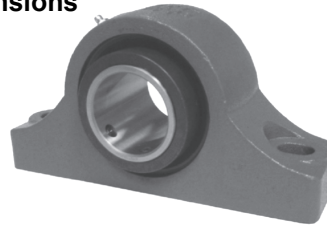


SRE Spherical Roller Bearings



SRE-PB2 Series - Pillow Blocks

- 2-Bolt Solid Base
- Single & Dual Locking Collars
- Inch & Metric Bores
- Ductile Iron Housing
- Interchanges with Tapered E-Series Dimensions
- Expansion & Non-Expansion Units
- Self-Aligning (+/- 1-1/2°)
- R3 Triple Lip Contact Seals
- Teflon Seals & End Cover Options



Models Available

Housing Size	Shaft Size d	Single Locking Collar			Dual Locking Collar**			Basic Dynamic Load Rating C (Lbs)*	Basic Static Load Rating Co (Lbs)*	Max Speed (RPM) Triple Lip Grease	Max Speed (RPM) Teflon Labyrinth	Max Speed (RPM) Metal Labyrinth
		Part No. Expansion	Part No. Non-Expansion	Wt. Lb	Part No. Expansion	Part No. Non-Expansion	Wt. Lb					
208	30mm	SRE-PB2-30MMR3XP	SRE-PB2-30MMR3NE	8	—	—	—	17,540	20,230	2750	3600	3600
	35mm	SRE-PB2-35MMR3XP	SRE-PB2-35MMR3NE	8	—	—	—					
	1-7/16	SRE-PB2-107R3XP	SRE-PB2-107R3NE	8	SRE-PB2-107R3XP-DC	SRE-PB2-107R3NE-DC	9					
209	40mm	SRE-PB2-40MMR3XP	SRE-PB2-40MMR3NE	9.5	—	—	—	17,980	21,360	2425	3360	3360
	45mm	SRE-PB2-45MMR3XP	SRE-PB2-45MMR3NE	9.5	—	—	—					
	1-1/2	SRE-PB2-108R3XP	SRE-PB2-108R3NE	9.5	—	—	—					
	1-11/16	SRE-PB2-111R3XP	SRE-PB2-111R3NE	9.5	—	—	—					
210	50mm	SRE-PB2-50MMR3XP	SRE-PB2-50MMR3NE	12	—	—	—	20,230	24,730	2225	3180	3180
	1-3/4	SRE-PB2-112R3XP	SRE-PB2-112R3NE	12	—	—	—					
	1-15/16	SRE-PB2-115R3XP	SRE-PB2-115R3NE	12	SRE-PB2-115R3XP-DC	SRE-PB2-115R3NE-DC	14					
	2	SRE-PB2-200R3XP	SRE-PB2-200R3NE	12	—	—	—					
211	55mm	SRE-PB2-55MMR3XP	SRE-PB2-55MMR3NE	16	—	—	—	23,600	28,100	2000	2800	2800
	2-3/16	SRE-PB2-203R3XP	SRE-PB2-203R3NE	16	—	—	—					
213	60mm	SRE-PB2-60MMR3XP	SRE-PB2-60MMR3NE	20	—	—	—	37,090	46,090	1700	2300	2300
	2-7/16	SRE-PB2-207R3XP	SRE-PB2-207R3NE	20	SRE-PB2-207R3XP-DC	SRE-PB2-207R3NE-DC	22					
	2-1/2	SRE-PB2-208R3XP	SRE-PB2-208R3NE	20	—	—	—					
215	65mm	SRE-PB2-65MMR3XP	SRE-PB2-65MMR3NE	28	—	—	—	41,590	52,830	1500	2150	2150
	70mm	SRE-PB2-70MMR3XP	SRE-PB2-70MMR3NE	28	—	—	—					
	75mm	SRE-PB2-75MMR3XP	SRE-PB2-75MMR3NE	27	—	—	—					
	2-11/16	SRE-PB2-211R3XP	SRE-PB2-211R3NE	28	—	—	—					
	2-3/4	SRE-PB2-212R3XP	SRE-PB2-212R3NE	28	—	—	—					
	2-15/16	SRE-PB2-215R3XP	SRE-PB2-215R3NE	27	SRE-PB2-215R3XP-DC	SRE-PB2-215R3NE-DC	28					
3	SRE-PB2-300R3XP	SRE-PB2-300R3NE	27	—	—	—						
218	80mm	SRE-PB2-80MMR3XP	SRE-PB2-80MMR3NE	45	—	—	—	62,950	83,180	1250	1600	1600
	85mm	SRE-PB2-85MMR3XP	SRE-PB2-85MMR3NE	45	SRE-PB2-85MMR3XP-DC	SRE-PB2-85MMR3NE-DC	48					
	90mm	SRE-PB2-90MMR3XP	SRE-PB2-90MMR3NE	45	—	—	—					
	3-7/16	SRE-PB2-307R3XP	SRE-PB2-307R3NE	45	SRE-PB2-307R3XP-DC	SRE-PB2-307R3NE-DC	48					
	3-1/2	SRE-PB2-308R3XP	SRE-PB2-308R3NE	45	—	—	—					

Note: * For load ratings in Newtons, multiply Lbs by 4.44. ** Dual locking collar units other than those listed are available from production. Contact PTI.

Optional Teflon Seals & End Covers 208-213 Sizes (215-218 continued on next page)

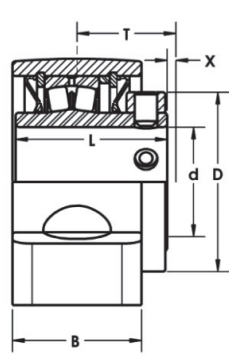
Housing Size	Shaft Size d	Single Collar Units with Teflon Seals		Dual Collar Units with Teflon Seals		Open End Cover Components		Closed End Cover Part No.	Dimensions (mm)/(in)					
		Part No. Expansion	Part No. Non-Expansion	Part No. Expansion	Part No. Non-Expansion	Open End Cover Part No.	Wiper Seal Part No.		D1	T1	T2			
208	30mm	SRE-PB2-30MRTLXP	SRE-PB2-30MMTLNE	—	—	SRBOEC208-30MM	—	SRBCEC208	76	24	34			
	35mm	SRE-PB2-35MRTLXP	SRE-PB2-35MMTLNE	—	—	SRBOEC208-35MM	—							
	1-7/16	SRE-PB2-107TLXP	SRE-PB2-107TLNE	SRE-PB2-107TLXP-DC	SRE-PB2-107TLNE-DC	SRBOEC208-23	LERDC17					3.0	0.9	1.3
209	40mm	SRE-PB2-40MRTLXP	SRE-PB2-40MMTLNE	—	—	SRBOEC209-40MM	—	SRBCEC209	86	28	38			
	45mm	SRE-PB2-45MRTLXP	SRE-PB2-45MMTLNE	—	—	SRBOEC209-45MM	—							
	1-1/2	SRE-PB2-108TLXP	SRE-PB2-108TLNE	—	—	SRBOEC208-24	—							
	1-11/16	SRE-PB2-111TLXP	SRE-PB2-111TLNE	—	—	SRBOEC209-27	LERDC20					3.4	1.1	1.5
210	50mm	SRE-PB2-50MRTLXP	SRE-PB2-50MMTLNE	—	—	SRBOEC210-50MM	—	SRBCEC210	91	24	34			
	1-3/4	SRE-PB2-112TLXP	SRE-PB2-112TLNE	—	—	SRBOEC210-28	—							
	1-15/16	SRE-PB2-115TLXP	SRE-PB2-115TLNE	SRE-PB2-115TLXP-DC	SRE-PB2-115TLNE-DC	SRBOEC210-31	LERDC24					3.6	0.9	1.3
	2	SRE-PB2-200TLXP	SRE-PB2-200TLNE	—	—	SRBOEC210-32	—							
211	55mm	SRE-PB2-55MRTLXP	SRE-PB2-55MMTLNE	—	—	SRBOEC211-55MM	—	SRBCEC211	102	28	38			
	2-3/16	SRE-PB2-203TLXP	SRE-PB2-203TLNE	—	—	SRBOEC211-35	LERDC29					4.0	1.1	1.5
213	60mm	SRE-PB2-60MRTLXP	SRE-PB2-60MMTLNE	—	—	SRBOEC213-60MM	—	SRBCEC213	122	28	41			
	2-7/16	SRE-PB2-207TLXP	SRE-PB2-207TLNE	SRE-PB2-207TLXP-DC	SRE-PB2-207TLNE-DC	SRBOEC213-39	—							
	2-1/2	SRE-PB2-208TLXP	SRE-PB2-208TLNE	—	—	SRBOEC213-40	LERDC37					4.8	1.1	1.6

Note: Open End Covers include the steel cover and internal double lip shaft seal. The Wiper Seal is optional and may be ordered separately.

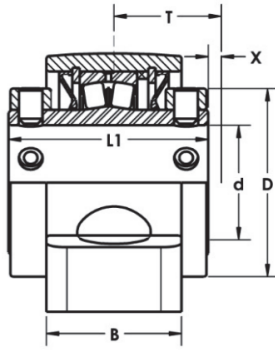
SRE Spherical Roller Bearings



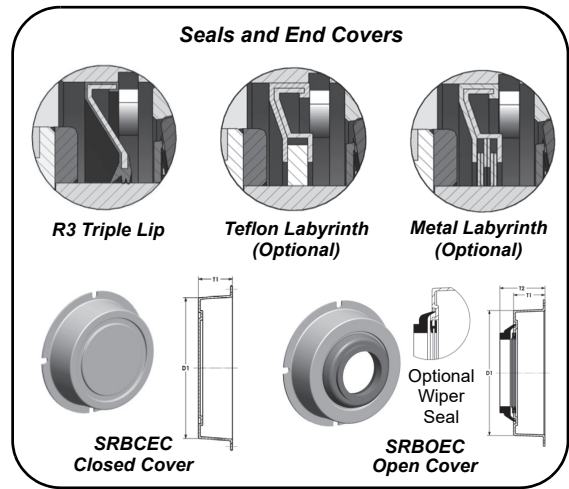
SRE-PB2 Series - Pillow Blocks



Single Locking Collar



Dual Locking Collar



Housing Size	Shaft Size d	Dimensions (mm) / (in)														
		A	B	C	D	F Bolt	G	H	J	K	L	L1	M Min	M Max	T	X Expansion
208	30mm	187	54	29	60	M12	20.6	47.6	95.3	14.3	69.9	88.90	140	152	47	4mm
	35mm 1-7/16	7.4	2.1	1.1	2.4	1/2	0.81	1.875	3.75	0.56	2.75	3.50	5.50	6.00	1.83	0.16
209	40mm	200	60	32	67	M12	20.6	54.0	108.0	14.3	73.0	96.80	152	165	51	6mm
	45mm 1-1/2 1-11/16	7.9	2.4	1.3	2.6	1/2	0.81	2.125	4.25	0.56	2.88	3.81	6.00	6.50	2.00	0.24
210	50mm	225	64	33	73	M16	23.8	57.2	114.3	17.5	73.0	95.30	171	184	51	6mm
	1-3/4 1-15/16 2	8.9	2.5	1.3	2.9	5/8	0.94	2.250	4.50	0.69	2.88	3.75	6.75	7.25	2.00	0.24
211	55mm	224	67	38	83	M16	23.8	63.50	127.0	17.5	79.5	101.6	191	203	54	6mm
	2-3/16	8.82	2.6	1.5	3.3	5/8	0.94	2.500	5.00	0.69	3.13	4.00	7.50	8.00	2.13	0.24
213	60mm	267	73	41	102	M16	23.8	69.85	139.7	17.5	85.7	108.00	210	222	57	6mm
	2-7/16 2-1/2	10.5	2.9	1.6	4.0	5/8	0.94	2.750	5.50	0.69	3.38	4.25	8.25	8.75	2.25	0.24
215	65mm	305	76	48	114	M20	27.0	79.4	159	20.6	92.2	120.70	235	248	64	6mm
	70mm															
	75mm															
	2-11/16	12.000	3.000	1.875	4.500	3/4	1.063	3.125	6.250	0.813	3.625	4.75	9.250	9.750	2.500	0.24
	2-3/4 2-15/16 3															
218	80mm	356	92	57	130	M20	31.8	95.25	191	23.8	102	131.70	271	287	69	6mm
	85mm 90mm 3-7/16 3-1/2	14.000	3.625	2.250	5.130	7/8	1.250	3.750	7.500	0.938	4.031	5.19	10.688	11.313	2.717	0.24

Optional Teflon Seals & End Covers 215-218 Sizes (208-213 on previous page)

Housing Size	Shaft Size d	Single Collar Units with Teflon Seals		Dual Collar Units with Teflon Seals		Open End Cover Components		Closed End Cover Part No.	Dimensions (mm)/(in)		
		Part No. Expansion	Part No. Non-Expansion	Part No. Expansion	Part No. Non-Expansion	Open End Cover Part No.	Wiper Seal Part No.		D1	T1	T2
215	65mm	SRE-PB2-65MMLXP	SRE-PB2-65MMLNE	—	—	SRBOEC215-65MM	—	SRBCEC215	132.1	32.5	47.2
	70mm	SRE-PB2-70MMLXP	SRE-PB2-70MMLNE	—	—	SRBOEC215-70MM	LER44DC				
	75mm	SRE-PB2-75MMLXP	SRE-PB2-75MMLNE	—	—	SRBOEC215-75MM	LER53DC				
	2-11/16	SRE-PB2-211TLXP	SRE-PB2-211TLNE	—	—	SRBOEC215-43	LER44DC				
	2-3/4	SRE-PB2-212TLXP	SRE-PB2-212TLNE	—	—	SRBOEC215-44	LER44DC				
	2-15/16	SRE-PB2-215TLXP	SRE-PB2-215TLNE	SRE-PB2-215TLXP-DC	SRE-PB2-215TLNE-DC	SRBOEC215-47	LER53DC				
3	SRE-PB2-300TLXP	SRE-PB2-300TLNE	—	—	SRBOEC215-48	LER53DC					
218	80mm	SRE-PB2-80MMLXP	SRE-PB2-80MMLNE	—	—	SRBOEC218-80MM	—	SRBCEC218	160	32.5	45.5
	85mm	SRE-PB2-85MMLXP	SRE-PB2-85MMLNE	SRE-PB2-85MMLXP-DC	SRE-PB2-85MMLNE-DC	SRBOEC218-85MM	LER102DC				
	90mm	SRE-PB2-90MMLXP	SRE-PB2-90MMLNE	—	—	SRBOEC218-90MM	LER102DC				
	3-7/16	SRE-PB2-307TLXP	SRE-PB2-307TLNE	SRE-PB2-307TLXP-DC	SRE-PB2-307TLNE-DC	SRBOEC218-55	LER102DC				
	3-1/2	SRE-PB2-308TLXP	SRE-PB2-208TLNE	—	—	SRBOEC218-56	LER102DC				

Note: Open End Covers include the steel cover and internal double lip shaft seal. The Wiper Seal is optional and may be ordered separately.