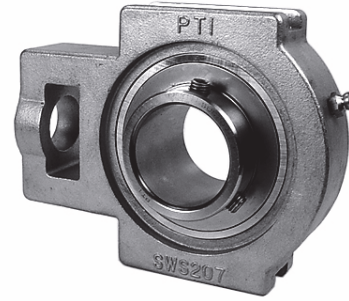


Stainless Steel Take-Up



SUCST 200 PTI Series

**Stainless Steel Normal Duty Bearing
Set Screw Lock
Metric and Inch Bores**

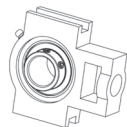
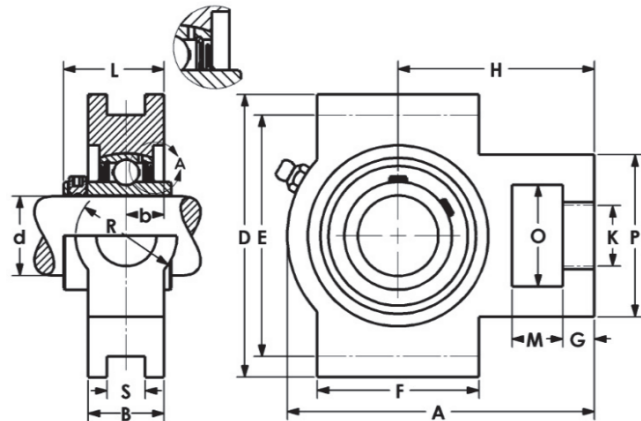


Housing:

AISI 304 Stainless
Grease Fitting: AISI 304

Bearing Insert:

Inner & Outer Race: AISI 440C Stainless
Cage & Set Screws: AISI 302 Stainless
Balls: AISI 440C Stainless
Seals: Rubber & AISI 302 Stainless
Grease: Mobil FM222, NSF H-1 Food Grade



Models Available

Part No.	Shaft Size d		Dimensions (mm) (in)														Bearing No.	Housing No.	Wt. kg	
	mm	in	A	B	b	D	E	F	G	H	K	L	M	O	P	R				S
SUCST201-8		1/2	94	21	10.5	89	76	51	10	61	19	28.7	16	32	51	32	12	SUC201-8	ST204	1.0
SUCST202-10		5/8	3.70	0.83	0.41	3.50	2.99	2.01	0.39	2.40	0.75	1.13	0.63	1.26	2.01	1.26	0.47	SUC202-10		
SUCST204-20MM	20		94	21	10.5	89	76	51	10	61	19	28.75	16	32	51	32	12	SUC204-20MM	ST205	1.2
SUCST204-12		3/4	3.70	0.83	0.41	3.50	2.99	2.01	0.39	2.40	0.75	1.13	0.63	1.26	2.01	1.26	0.47	SUC204-12		
SUCST205-25MM	25		97	24	12	89	76	51	10	62	19	31.78	16	32	51	32	12	SUC205-25MM	ST206	1.8
SUCST205-14		7/8	3.82	0.94	0.47	3.50	2.99	2.01	0.39	2.44	0.75	1.25	0.63	1.26	2.01	1.26	0.47	SUC205-14		
SUCST205-15		15/16																SUC205-15		
SUCST205-16		1																SUC205-16		
SUCST206-30MM	30		113	28	14	102	89	57	10	70	22	36.17	16	37	56	37	12	SUC206-30MM	ST207 ST207WS*	2.2
SUCST206-18		1-1/8	4.45	1.10	0.55	4.02	3.50	2.24	0.39	2.76	0.87	1.42	0.63	1.46	2.20	1.46	0.47	SUC206-18		
SUCST206-19		1-3/16																SUC206-19		
SUCST206-20		1-1/4																SUC206-20		
SUCST207-35MM	35		130	30	15	102	89	64	14	78	22	40.37	16	37	64	37	12	SUC207-35MM	ST208	2.5
SUCST207-20		1-1/4	5.12	1.18	0.59	4.02	3.50	2.52	0.55	3.07	0.87	1.59	0.63	1.46	2.52	1.46	0.47	SUC207-20		
SUCST207-22		1-3/8																SUC207-22		
SUCST207-23		1-7/16																SUC207-23		
SUCST208-40MM	40		144	33	16.5	114	102	83	16	88	29	46.6	19	49	83	49	16	SUC208-40MM	ST209	2.5
SUCST208-24		1-1/2	5.67	1.30	0.65	4.49	4.02	3.27	0.63	3.46	1.14	1.83	0.75	1.93	3.27	1.93	0.63	SUC208-24		
SUCST209-45MM	45		144	35	17.5	117	102	83	16	87	29	47.7	19	49	83	49	16	SUC209-45MM	ST210	2.6
SUCST209-27		1-11/16	5.67	1.38	0.69	4.61	4.02	3.27	0.63	3.43	1.14	1.88	0.75	1.93	3.27	1.93	0.63	SUC209-27		
SUCST209-28		1-3/8																SUC209-28		
SUCST210-50MM	50		149	37	18.5	117	102	86	16	90	29	48.7	19	49	83	49	16	SUC210-50MM	ST210	2.6
SUCST210-31		1-15/16	5.87	1.46	0.73	4.61	4.02	3.39	0.63	3.54	1.14	1.92	0.75	1.93	3.27	1.93	0.63	SUC210-31		
SUCST210-32		2																SUC210-32		

Note: *Wide Slot unit also available from stock for size 207, slot width 13.5.