

# Stainless Steel 3-Bolt Flanged Bracket

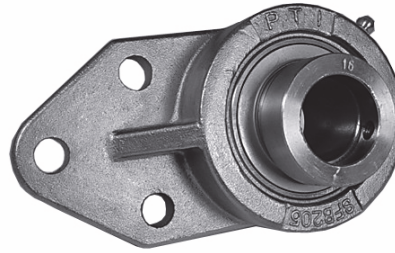


## SHCSFB 200 PTI Series

Stainless Steel Normal Duty Bearing

Eccentric Lock, Solid Base

Metric and Inch Bores



Housing:

AISI 304 Stainless, Solid Base

Grease Fitting: AISI 304

Bearing Insert:

Inner & Outer Race: AISI 440C Stainless

Cage & Set Screw: AISI 302 Stainless

Balls: AISI 440C Stainless

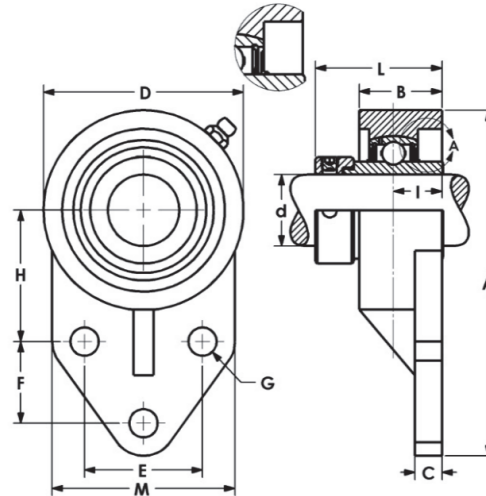
Seals: Rubber & AISI 302 Stainless

Grease: Mobil FM222, NSF H-1 Food Grade

Collar: AISI 304 Stainless



Models Available



Part No.	Shaft Size d		Dimensions (mm) (in)										Bearing No.	Housing No.	Wt. kg	
	mm	in	A	B	C	D	E	F	G	H	I	L				M
SHCSFB201-8		1/2	108	25.4	8	63	38.1	22.2	9.9	42.9	16	42.6	60	SHC201-8	SFB204	0.8
SHCSFB202-10		5/8	4.25	1.00	0.31	2.48	1.50	0.87	0.39	1.69	0.63	1.68	2.36	SHC202-10		
SHCSFB204-20MM	20		108	25.4	8	63.5	38.1	15.9	10	43.3	22	42.6	60	SHC204-20MM	SFB204	0.8
SHCSFB204-12		3/4	4.25	1.00	0.31	2.50	1.50	0.63	0.39	1.69	0.87	1.68	2.36	SHC204-12		
SHCSFB205-25MM	25		120.5	28.5	10	70.0	41.3	16.7	10	46	28.5	43.9	63	SHC205-25MM	SFB205	1.0
SHCSFB205-14		7/8	4.74	1.12	0.39	2.76	1.63	0.66	0.39	1.81	1.12	1.73	2.48	SHC205-14		
SHCSFB205-15		15/16												SHC205-15		
SHCSFB205-16		1												SHC205-16		
SHCSFB206-30MM	30		135	32	10	82	47.6	18.6	10	52.4	31.7	49.1	69.5	SHC206-30MM	SFB206	1.6
SHCSFB206-18		1-1/8	5.33	1.26	0.39	3.23	1.87	0.73	0.39	2.06	1.25	1.93	2.74	SHC206-18		
SHCSFB206-19		1-3/16												SHC206-19		
SHCSFB206-20		1-1/4												SHC206-20		
SHCSFB207-35MM	35		156	36.5	13.5	95.0	50.8	21	13	60.3	31.7	53.3	82.5	SHC207-35MM	SFB207	2.0
SHCSFB207-20		1-1/4	6.14	1.44	0.53	3.74	2.00	0.83	0.51	2.37	1.25	2.10	36.25	SHC207-20		
SHCSFB207-22		1-3/8												SHC207-22		
SHCSFB207-23		1-7/16												SHC207-23		
SHCSFB208-40MM	40		163.5	35.7	17	100	50	41	12	60.3	41.3	55.9	78	SHC208-40MM	SFB208	2.5
SHCSFB208-24		1-1/2	6.44	1.41	0.67	3.94	2.0	1.61	0.47	2.36	0.63	2.20	3.07	SHC208-24		
SHCSFB209-45MM	45		174	34.5	18.5	106	54	21.8	12	65	42.9	55.9	80	SHC209-45MM	SFB209	2.8
SHCSFB209-27		1-11/16	6.85	1.36	0.73	4.17	2.13	0.86	0.47	2.56	1.69	2.20	3.15	SHC209-27		
SHCSFB209-28		1-3/4												SHC209-28		
SHCSFB210-50MM	50		191	38	14	118	70	21.8	13	74.6	41.3	59.1	101.5	SHC210-50MM	SFB210	3.5
SHCSFB210-31		1-15/16	7.52	1.50	0.55	4.65	2.76	0.86	0.51	2.94	1.63	2.33	4.00	SHC210-31		
SHCSFB210-32		2												SHC210-32		