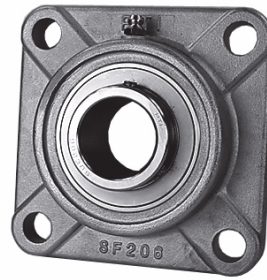


Stainless Steel 4-Bolt Flange



SUCSF 200 PTI Series

Stainless Steel Normal Duty Bearing
Set Screw Lock, Solid Flange
Metric and Inch Bores

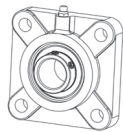


Housing:

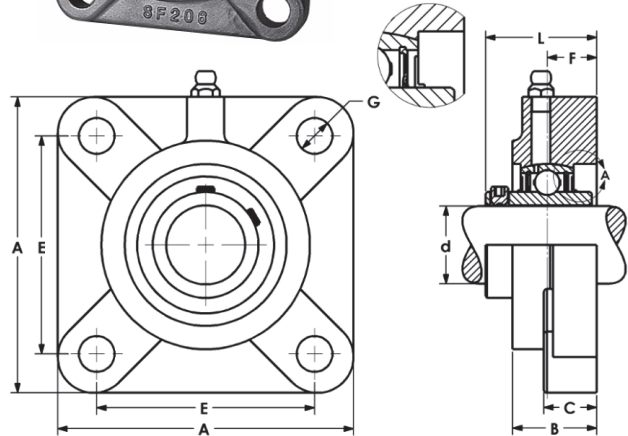
AISI 304 Stainless, Solid Base
 Grease Fitting: AISI 304

Bearing Insert:

Inner & Outer Race: AISI 440C Stainless
 Cage & Set Screw: AISI 302 Stainless
 Balls: AISI 440C Stainless
 Seals: Rubber & AISI 302 Stainless
 Grease: Mobil FM222, NSF H-1 Food Grade



Models Available



Part No.	Shaft Size d		Dimensions (mm) (in)							Bearing No.	Housing No.	Wt. kg
	mm	in	A	B	C	E	F	G	L			
SUCSF201-8		1/2	86	25.4	12	63.5	15.1	11	33.4	SUC201-8	SF204	0.8
SUCSF202-10		5/8	3.39	1.00	0.47	2.50	0.59	0.43	1.31	SUC202-10	SF204	0.8
SUCSF204-20MM	20		86	25.5	12	64	15	12	33.4	SUC204-20MM	SF204	0.8
SUCSF204-12		3/4	3.39	1.00	0.47	2.52	0.59	0.47	1.31	SUC204-12	SF204	0.8
SUCSF205-25MM	25		95	27	14	70	16	12	35.7	SUC205-25MM	SF205	1.0
SUCSF205-14		7/8	3.74	1.06	0.55	2.76	0.63	0.47	1.41	SUC205-14	SF205	1.0
SUCSF205-15		15/16								SUC205-15	SF205	1.0
SUCSF205-16		1								SUC205-16	SF205	1.0
SUCSF206-30MM	30		108	31	14	83	18	13	40.1	SUC206-30MM	SF206	1.6
SUCSF206-18		1-1/8	4.25	1.22	0.55	3.27	0.71	0.51	1.58	SUC206-18	SF206	1.6
SUCSF206-19		1-3/16								SUC206-19	SF206	1.6
SUCSF206-20		1-1/4								SUC206-20	SF206	1.6
SUCSF207-35MM	35		116	34	15.5	92	19	14	44.5	SUC207-35MM	SF207	2.0
SUCSF207-20		1-1/4	4.57	1.34	0.61	3.62	0.75	0.55	1.75	SUC207-20	SF207	2.0
SUCSF207-22		1-3/8								SUC207-22	SF207	2.0
SUCSF207-23		1-7/16								SUC207-23	SF207	2.0
SUCSF208-40MM	40		129	36	15.5	102	21	14	51.2	SUC208-40MM	SF208	2.5
SUCSF208-24		1-1/2	5.08	1.42	0.61	4.02	0.83	0.55	2.02	SUC208-24	SF208	2.5
SUCSF209-45MM	45		137	38	17.5	105	22	16	52	SUC209-45MM	SF209	2.8
SUCSF209-27		1-11/16	5.39	1.50	0.69	4.13	0.87	0.63	2.05	SUC209-27	SF209	2.8
SUCSF209-28		1-3/4								SUC209-28	SF209	2.8
SUCSF210-50MM	50		143	40	17.5	111	22	16	54.3	SUC210-50MM	SF210	3.5
SUCSF210-31		1-15/16	5.63	1.57	0.69	4.37	0.87	0.63	2.14	SUC210-31	SF210	3.5
SUCSF210-32		2								SUC210-32	SF210	3.5
SUCSF211-55MM	55		162	43	19.5	130	25	19	58.4	SUC211-55MM	SF211	4.5
SUCSF211-35		2-3/16	6.38	1.69	0.77	5.12	0.98	0.75	2.30	SUC211-35	SF211	4.5
SUCSF212-60MM	60		175	48	19.5	143	29	19.0	68.7	SUC212-60MM	SF212	5.4
SUCSF212-39		2-7/16	6.89	1.89	0.77	5.63	1.14	0.75	2.70	SUC212-39	SF212	5.4

Note: Larger sizes with Nickel Plated Housings available upon request. Larger Bearing inserts to 3 inches are stock.