

Thermoplastic 2-Bolt Flange



SHCTFL 200 PTI Series

Stainless Steel Normal Duty Bearing
PBT Thermoplastic Housing
Eccentric Lock Collar, Solid Base
Metric and Inch Bores



PBT Black Housing available

Housing:

Material: Reinforced PBT (polybutylene terephthalate)
 Working Temperatures: -10°F to 210°F
 Interchanges with standard housing dimensions
 Sleeves and bushings are stainless steel
 Solid base, smooth housing designed for washdown
 Excellent chemical resistance
 Grease Fitting: AISI 304

Bearing Insert:

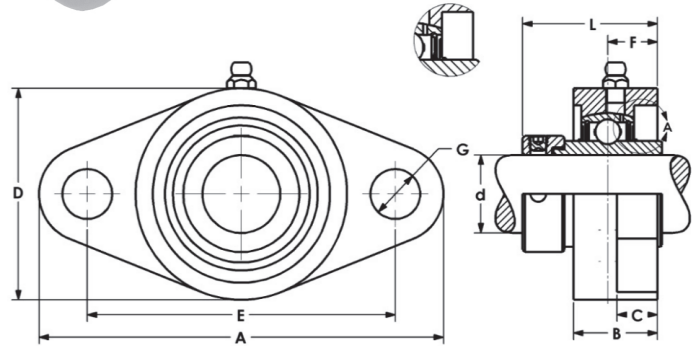
Inner & Outer Race: AISI 440C Stainless
 Cage & Set Screw: AISI 302 Stainless
 Collar: AISI 304 Stainless
 Balls: AISI 440C Stainless
 Seals: Rubber & AISI 302 Stainless
 Grease: Mobil FM222 NSF H-1 Food Grade



Models Available



Open and Closed End Covers Optional



Part No.	Shaft Size d		Dimensions (mm) (in)								Bearing No.	Housing No.	Wt. kg
	mm	in	A	B	C	D	E	F	G	L			
SHCTFL201-8		1/2	113	27	13.4	64	90	15	11	44.9	SHC201-8	TFL204	0.3
SHCTFL202-10		5/8	4.44	1.06	0.52	2.51	3.54	0.59	0.43	1.77	SHC202-10	(TFL204BLK)	
SHCTFL204-20MM	20		113	26.5	12	64	90	15.4	11	44.9	SHC204-20MM	TFL204	0.3
SHCTFL204-12		3/4	4.45	1.04	0.47	2.51	3.54	0.61	0.43	1.77	SHC204-12	(TFL204BLK)	
SHCTFL205-25MM	25		131	29.5	14	69.5	99	17	11	46.7	SHC205-25MM	TFL205	0.4
SHCTFL205-14		7/8	5.16	1.16	0.55	2.74	3.90	0.67	0.43	1.84	SHC205-14	(TFL205BLK)	
SHCTFL205-15		15/16									SHC205-15		
SHCTFL205-16		1									SHC205-16		
SHCTFL206-30MM	30		148	30.5	14	79	117	19	11	52.3	SHC206-30MM	TFL206	0.7
SHCTFL206-18		1-1/8	5.83	1.20	0.55	3.11	4.60	0.75	1.43	2.06	SHC206-18	(TFL206BLK)	
SHCTFL206-19		1-3/16									SHC206-19		
SHCTFL206-20		1-1/4									SHC206-20		
SHCTFL207-35MM	35		165	32.8	16	90	130	18	13	57.7	SHC207-35MM	TFL207	0.9
SHCTFL207-20		1-1/4	6.50	1.29	0.62	3.54	5.12	0.71	0.50	2.27	SHC207-20	(TFL207BLK)	
SHCTFL207-22		1-3/8									SHC207-22		
SHCTFL207-23		1-7/16									SHC207-23		
SHCTFL208-40MM	40		175	37.5	20	99	144	21.5	14	65.1	SHC208-40MM	TFL208	1.1
SHCTFL208-24		1-1/2	6.88	1.48	0.79	3.90	5.67	0.85	0.55	2.56	SHC208-24	(TFL208BLK)	
SHCTFL209-45MM	45		188.5	41	21	107	148	24	17	65.1	SHC209-45MM	TFL209	1.3
SHCTFL209-27		1-11/16	7.42	1.61	0.83	4.21	5.83	0.94	0.67	2.56	SHC209-27	(TFL209BLK)	
SHCTFL209-28		1-3/4									SHC209-28		
SHCTFL210-50MM	50		198	43	21	115	157	25	17	70.7	SHC210-50MM	TFL210	1.5
SHCTFL210-31		1-15/16	7.80	1.69	0.83	4.53	6.18	0.98	0.67	2.78	SHC210-31	(TFL210BLK)	
SHCTFL210-32		2									SHC210-32		
SHCTFL211-55MM	55		225	43	19	130	184	25	19	69.6	SHC211-55MM	TFL211	2.1
SHCTFL211-32		2	8.86	2.87	0.75	5.12	7.24	0.98	0.75	2.74	SHC211-32	(TFL211BLK)	
SHCTFL211-35		2-3/16									SHC211-35		
SHCTFL212-60MM	60		250	45	23	140.5	202	29	19	75.8	SHC212-60MM	TFL212	2.6
SHCTFL212-39		2-7/16	9.84	1.77	0.91	5.53	7.59	1.14	0.75	2.98	SHC212-39	(TFL212BLK)	

Note: For Black Housing include BLK as suffix. Example: SHCTFL204-12BLK.