

Thermoplastic Tapped Base



SHCTTB 200 PTI Series

Stainless Steel Normal Duty Bearing

PBT Thermoplastic Housing

Eccentric Lock Collar, Solid Base

Metric and Inch Bores



PBT Black Housing available

Housing:

Material: Reinforced PBT (polybutylene terephthalate)

Working Temperatures: -10°F to 210°F

Interchanges with standard housing dimensions

Sleeves and bushings are stainless steel

Solid base, smooth housing designed for washdown

Excellent chemical resistance

Grease Fitting: AISI 304



Open and Closed End Covers Optional

Bearing Insert:

Inner & Outer Race: AISI 440C Stainless

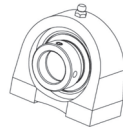
Cage & Set Screw: AISI 302 Stainless

Collar: AISI 304 Stainless

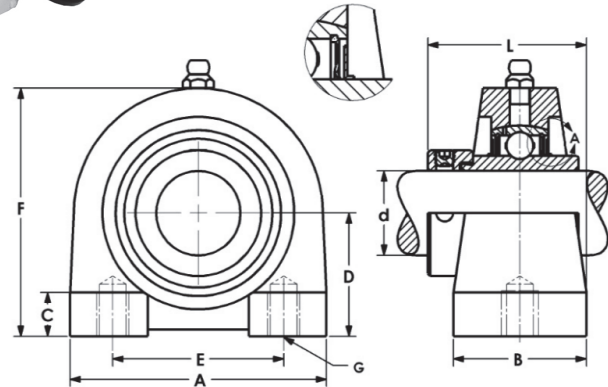
Balls: AISI 440C Stainless

Seals: Rubber & AISI 302 Stainless

Grease: Mobil FM222 NSF H-1 Food Grade



Models Available



Part No.	Shaft Size d		Dimensions (mm) (in)								Bearing No.	Housing No.	Wt. kg
	mm	in	A	B	C	D	E	F	G**	L			
SHCTTB201-8		1/2	72.8	34.5	10	33.3	50.8	66	—	43.85	SHC201-8	TTB204	0.3
SHCTTB202-10		5/8	2.87	1.36	0.39	1.312	2.0	2.60	3/8-16	1.73	SHC202-10	(TTB204BLK)	
SHCTTB204-20MM	20		72.8	34.5	12.7	33.3	50.8	66	—	43.85	SHC204-20MM	TTB204	0.3
SHCTTB204-12		3/4	2.87	1.36	0.50	1.31	2.0	2.60	3/8-16	1.73	SHC204-12	(TTB204BLK)	
SHCTTB205-25MM	25		76.2	39.5	14.3	36.5	50.8	73.5	—	46.65	SHC205-25MM	TTB205■ (TTB205BLK)	0.4
SHCTTB205-14		7/8	3.00	1.56	0.56	1.44	2.0	2.89	3/8-16	1.84	SHC205-14		
SHCTTB205-15		15/16									SHC205-15		
SHCTTB205-16		1									SHC205-16		
SHCTTB206-30MM	30		101	42.5	15.9	42.9	76.2	84	—	51.35	SHC206-30MM	TTB206 (TTB206BLK)	0.7
SHCTTB206-18		1-1/8	3.98	1.67	0.63	1.69	3.00	3.31	7/16-14	2.02	SHC206-18		
SHCTTB206-19		1-3/16									SHC206-19		
SHCTTB206-20		1-1/4									SHC206-20		
SHCTTB207-35MM	35		110	47.5	17.5	47.6	82.6	95	—	56.05	SHC207-35MM	TTB207 (TTB207BLK)	0.9
SHCTTB207-20		1-1/4	4.33	1.87	0.69	1.87	3.25	3.74	1/2-13	2.21	SHC207-20		
SHCTTB207-22		1-3/8									SHC207-22		
SHCTTB207-23		1-7/16									SHC207-23		
SHCTTB208-40MM	40		120	48	19	49.2	88.9	100.5	—	58.9	SHC208-40MM	TTB208	1.1
SHCTTB208-24		1-1/2	4.72	1.89	0.75	1.94	3.50	3.96	1/2-13	2.32	SHC208-24	(TTB208BLK)	
SHCTTB209-45MM	45		124	54	19	54	95.3	107	—	59.9	SHC209-45MM	TTB209 (TTB209BLK)	1.3
SHCTTB209-27		1-11/16	4.88	2.13	0.75	2.13	3.75	4.21	1/2-13	2.36	SHC209-27		
SHCTTB209-28		1-3/4									SHC209-28		
SHCTTB210-50MM	50		135	54	19	57.2	101.6	115	—	65.1	SHC210-50MM	TTB210 (TTB210BLK)	1.5
SHCTTB210-31		1-15/16	5.31	2.13	0.75	2.25	4.00	4.53	5/8-11	2.56	SHC210-31		
SHCTTB210-32		2									SHC210-32		

Note: ■ TPA205X Housing size with 56mm or 2-13/64" bolt centers also stocked. For Black Housing include BLK as suffix. Example: SHCTTB204-12BLK. ** Metric threads available upon request.