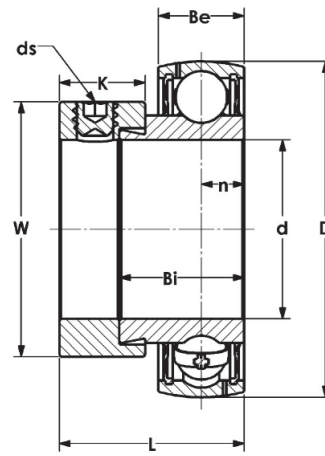


# Ball Bearing Inserts



## U000 PTI Series

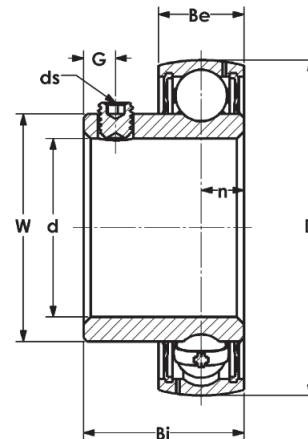
Extra Narrow Width  
Eccentric Lock Collar  
Metric and Inch Bores  
Steel Cage



Part No.	Shaft Size d		Dimensions (mm)									Load rating		Wt. kg
	mm	in	D	L	Bi	Be	n	K	W	A	ds	Dynamic C N	Static C <sub>0</sub> N	
U000-10MM	10		26	17.5	11	8	4	8.5	17	3.5		4550	1940	0.03
U001-12MM	12		28	17.5	11	8	4	8.5	19	3.5	M4x0.7	5030	2370	0.03
U002-15MM	15		32	18.5	12	9	4.5	8.5	22	3.5	M4x0.7	5520	1975	0.05
U003-17MM	17		35	20.5	13.5	10	5	9.5	25	3.5		5910	2280	0.06
U004-20MM	20		42	24.5	16.5	12	6	11	30	5	M5x0.8	6500	5000	0.10
U004-12		3/4	1.65	0.96	0.65	0.47	0.24	0.43	1.18	0.20				
U005-25MM	25		47	25.5	17.5	12	6	12	36	5	M5x0.8	9970	5760	0.13
U005-16		1	1.85	1.00	0.69	0.47	0.24	0.47	1.42	0.20				
U006-30MM	30		55	26.5	18.5	13	6.5	12	42	5	M5x0.8	13070	8180	0.19

## K 000 PTI Series

Extra Narrow Width  
Set Screw Lock  
Metric and Inch Bores  
CR Units with FM222 FDA Lube  
Steel Cage



Stainless Steel Option

Part No.	Stainless Part No.	Shaft Size d		Dimensions (mm)							Load rating		Wt. kg	
		mm	in	D	Bi	Be	n	G	W	ds	Dynamic C N	Static C <sub>0</sub> N		
K000-10MM	K000-10MM-CR	10		26	14	8	4	3	14.75			4550	1940	0.02
K001-12MM	K000-12MM-CR	12		28	14.5	8	4	3	17.35	M3x0.35		5030	2370	0.03
K002-15MM	K002-15MM-CR	15		32	16.5	9	4.5	3.5	20.02	M4x0.50		5520	1975	0.05
K003-17MM	K003-17MM-CR	17		35	17.5	10	5	3.5	23.10			5910	2280	0.05
K004-20MM	K004-20MM-CR	20		42	21	12	6	4	27.00	M5x0.50		6500	5000	0.08
K004-12	K004-12-CR		3/4	1.65	0.83	0.47	0.24	0.16	1.06					
K005-25MM	K005-25MM-CR	25		47	22.5	12	6	4.5	31.70	M5x0.50		9970	5760	0.10
K005-16	K005-16-CR		1	1.85	0.89	0.47	0.24	0.18	1.25					
K006-30MM	K006-30MM-CR	30		55	24.5	13	6.5	5	38.00	M5x0.50		13070	8180	0.16