

Cylindrical Units



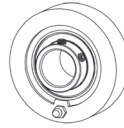
HLW 200 PTI Series

Normal Duty Bearings

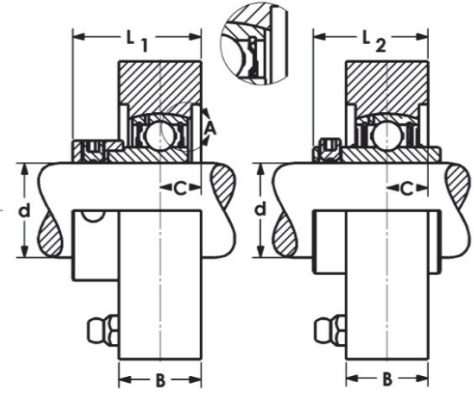
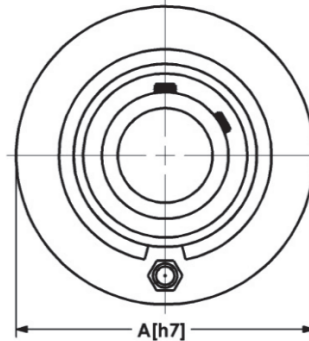
Cast Iron Housing

Eccentric and Set Screw Lock

Metric and Inch Bores



Models Available



Eccentric Lock
SA Bearing

Set Screw Lock
UC Bearing

Part No.		Shaft Size d		Dimensions (mm (in))					Bearing No.		Housing No.	Wt. kg
Eccentric	Set Screw	mm	in	A (h ₇)	B	C	L ₁	L ₂	Eccentric	Set Screw		
HLW204-20MM	HLW204-20UMM	20		72	20	10	34	28.3	SA204-20MM	UC204-20MM	HLW204	0.5
HLW204-12	HLW204-12U		3/4	2.83	0.79	0.39	1.34	1.11	SA204-12	UC204-12		
HLW205-25MM	HLW205-25UMM	25		80	22	11	34.5	30.8	SA205-25MM	UC205-25MM	HLW205	0.8
HLW205-14	HLW205-14U		7/8	3.15	0.87	0.43	1.34	1.21	SA205-14	UC205-14		
HLW205-15	HLW205-15U		15/16						SA205-15	UC205-15		
HLW205-16	HLW205-16U		1						SA205-16	UC205-16		
HLW206-30MM	HLW206-30UMM	30		85	27	13.5	41.2	35.7	SA206-30MM	UC206-30MM	HLW206	0.9
HLW206-18	HLW206-18U		1-1/8	3.35	1.06	0.53	1.62	1.41	SA206-18	UC206-18		
HLW206-19	HLW206-19U		1-3/16						SA206-19	UC206-19		
HLW206-20	HLW206-20U		1-1/4						SA206-20	UC206-20		
HLW207-35MM	HLW207-35UMM	35		90	28	14	44.4	39.4	SA207-35MM	UC207-35MM	HLW207	1.1
HLW207-20	HLW207-20U		1-1/4	3.54	1.10	0.55	1.75	1.55	SA207-20	UC207-20		
HLW207-22	HLW207-22U		1-3/8						SA207-22	UC207-22		
HLW207-23	HLW207-23U		1-7/16						SA207-23	UC207-23		
HLW208-40MM	HLW208-40UMM	40		100	30	15	49.7	45.2	SA208-40MM	UC208-40MM	HLW208	1.4
HLW208-24	HLW208-24U		1-1/2	3.94	1.18	0.59	1.96	1.78	SA208-24	UC208-24		
HLW209-45MM	HLW209-45UMM	45		110	31	15.5	49.7	45.7	SA209-45MM	UC209-45MM	HLW209	1.7
HLW209-26	HLW209-26U		1-5/8	4.33	1.22	0.61	1.96	1.80	SA209-26	UC209-26		
HLW209-27	HLW209-27U		1-11/16						SA209-27	UC209-27		
HLW209-28	HLW209-28U		1-3/4						SA209-28	UC209-28		
HLW210-50MM	HLW210-50UMM	50		120	33	16.5	50.2	49.1	SA210-50MM	UC210-50MM	HLW210	2.1
HLW210-30	HLW210-30U		1-7/8	4.72	1.30	0.65	1.98	1.93	SA210-30	UC210-30		
HLW210-31	HLW210-31U		1-15/16						SA210-31	UC210-31		
HLW210-32	HLW210-32U		2						SA210-32	UC210-32		
HLW211-55MM	HLW211-55UMM	55		125	35	17.5	55.4	50.9	SA211-55MM	UC211-55MM	HLW211	2.1
HLW211-32	HLW211-32U		2	4.92	1.38	0.69	2.18	2	SA211-32	UC211-32		
HLW211-34	HLW211-34U		2-1/8						SA211-34	UC211-34		
HLW211-35	HLW211-35U		2-3/16						SA211-35	UC211-35		
HLW212-60MM	HLW212-60UMM	60		130	38	19	61.1	58.7	SA212-60MM	UC212-60MM	HLW212	2.1
HLW212-36	HLW212-36U		2-1/4	5.12	1.50	0.75	2.41	2.31	SA212-36	UC212-36		
HLW212-38	HLW212-38U		2-3/8						SA212-38	UC212-38		
HLW212-39	HLW212-39U		2-7/16						SA212-39	UC212-39		

Note: Adapter Lock Bearings also available from stock.