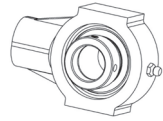


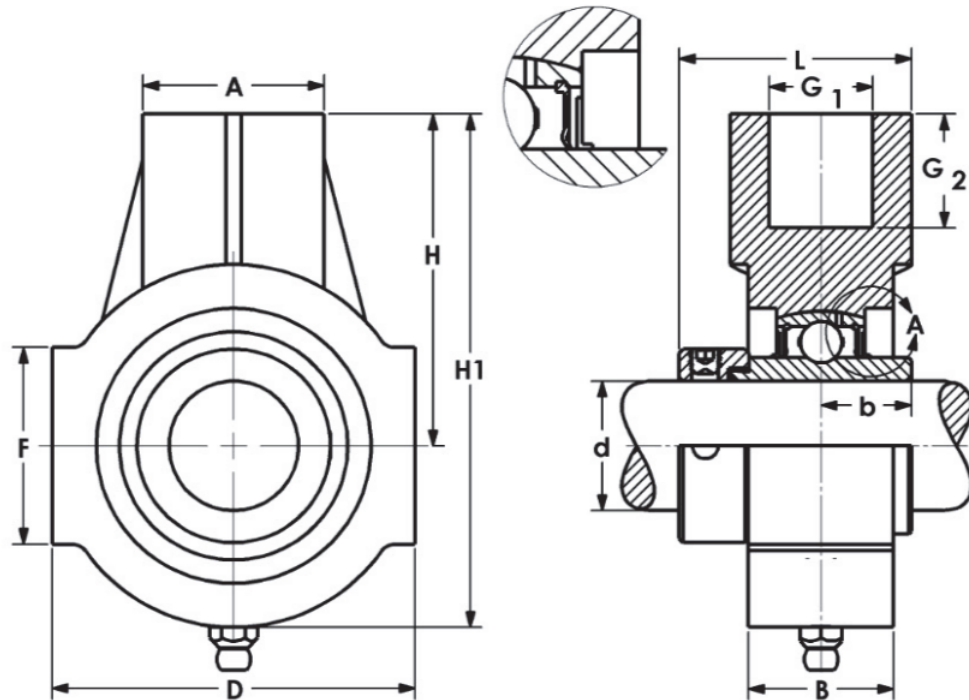
Take-Up

SPK 200 PTI Series

Normal Duty Bearing
Cast Iron Housing
Eccentric Collar Lock
Metric Bores



Models Available



| Part No. | Shaft Size d | Dimensions (mm) | | | | | | | | | | Bearing No. | Housing No. | Wt. kg |
|--------------|-----------------|-----------------|----|------|-----|----|----------------|----------------|-----|----------------|------|----------------|----------------|-----------|
| | | A | B | b | D | F | G ₁ | G ₂ | H | H ₁ | L | | | |
| SPK204-20AMM | 20 | 33 | 25 | 16.5 | 65 | 38 | M16 x 2 | 21 | 58 | 91 | 43.1 | HC204-20MM | SPK204 | 0.7 |
| SPK205-25AMM | 25 | 35 | 28 | 17.5 | 70 | 38 | M20 x 2.5 | 22 | 64 | 99 | 44.4 | HC205-25MM | SPK205 | 0.8 |
| SPK206-30AMM | 30 | 40 | 32 | 20.0 | 85 | 40 | M24 x 3 | 24 | 72 | 114 | 50.1 | HC206-30MM | SPK206 | 1.2 |
| SPK207-35AMM | 35 | 40 | 32 | 20.0 | 90 | 49 | M24 x 3 | 24 | 76 | 122 | 52.3 | HC207-35MM | SPK207 | 1.4 |
| SPK208-40AMM | 40 | 40 | 36 | 20.0 | 100 | 45 | M24 x 3 | 24 | 85 | 135 | 54.9 | HC208-40MM | SPK208 | 1.9 |
| SPK209-45AMM | 45 | 40 | 40 | 20.0 | 110 | 46 | M24 x 3 | 24 | 90 | 145 | 54.9 | HC209-45MM | SPK209 | 2.4 |
| SPK210-50AMM | 50 | 40 | 40 | 20.0 | 110 | 46 | M24 x 3 | 24 | 90 | 145 | 58.1 | HC210-50MM | SPK210 | 2.4 |
| SPK212-60AMM | 60 | 61 | 42 | 30.5 | 143 | 51 | M24 x 3 | 24 | 104 | 175 | 77.3 | HC212-60MM | SPK212 | 3.8 |

Note: Set Screw and Adapter Lock Bearings also available from stock. Inch bores on request.