

Wide Slot Take-Up

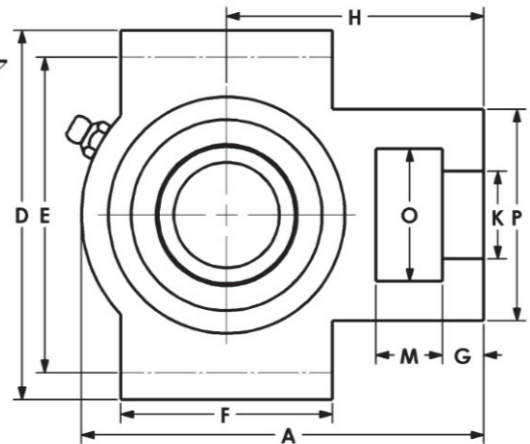
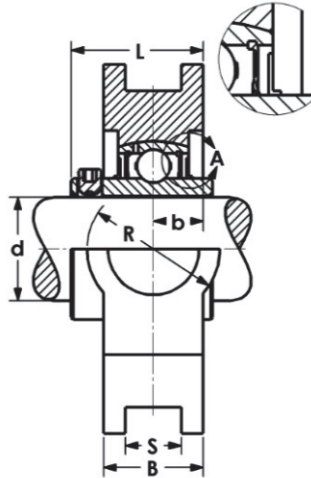


WS 200 PTI Series

Normal Duty Bearing
Cast Iron Housing
Set Screw Lock
Metric and Inch Bores



Models Available



Part No.	Shaft Size d		Dimensions (mm) (in)														Bearing No.	Housing No.	Wt. kg	
	mm	in	A	B	b	D	E	F	G	H	K	L	M	O	P	R				S
WS204-20UMM	20		94	24	12	89	76.2	51	10	60.3	19	30.3	16	32	51	32	13.5	UC204-20MM	WS204	0.7
WS204-12U		3/4	3.70	0.94	0.47	3.50	3.00	2.01	0.39	2.37	0.75	1.19	0.63	1.26	2.01	1.26	0.53	UC204-12		
WS205-25UMM	25		97	24	12	89	76.2	51	10	62	22	31.8	16	32	51	32	13.5	UC205-25MM	WS205	1.0
WS205-14U		7/8	3.82	0.94	0.47	3.50	3.00	2.01	0.39	2.44	0.87	1.25	0.63	1.26	2.01	1.26	0.53	UC205-14		
WS205-15U		15/16																UC205-15		
WS205-16U		1																UC205-16		
WS206-30UMM	30		113	28	14	102	89	57	10	70	22	34.2	16	36.5	56	36.5	13.5	UC206-30MM	WS206	1.6
WS206-18U		1-1/8	4.45	1.10	0.55	4.02	3.50	2.24	0.39	2.76	0.87	1.35	0.63	1.44	2.20	1.44	0.53	UC206-18		
WS206-19U		1-3/16																UC206-19		
WS206-20U		1-1/4																UC206-20		
WS207-35UMM	35		129	30	15	102	89	63.5	13	78	22	40.4	16	36.5	64	36.5	13.5	UC207-35MM	WS207	2.0
WS207-20U		1-1/4	5.08	1.18	0.59	4.02	3.50	2.50	0.51	3.07	0.87	1.59	0.63	1.44	2.52	1.44	0.53	UC207-20		
WS207-22U		1-3/8																UC207-22		
WS207-23U		1-7/16																UC207-23		
WS208-40UMM	40		144	35	17.5	114.3	102	82.5	16	89	28	47.7	19	49	83	49	17.5	UC208-40MM	WS208	2.7
WS208-24U		1-1/2	5.67	1.38	0.69	4.50	4.02	3.25	0.63	3.50	1.10	1.88	0.75	1.93	3.27	1.93	0.69	UC208-24		
WS209-45UMM	45		144	35	17.5	117	102	82.5	16	87	28	47.7	19	49	83	49	17.5	UC209-45MM	WS209	2.9
WS209-26U		1-5/8	5.67	1.38	0.69	4.61	4.02	3.25	0.63	3.43	1.10	1.88	0.75	1.93	3.27	1.93	0.69	UC209-26		
WS209-27U		1-11/16																UC209-27		
WS209-28U		1-3/4																UC209-28		
WS210-50UMM	50		149	37	18.5	117	102	85.7	16	90	28	50.1	19	49	83	49	17.5	UC210-50MM	WS210	3.2
WS210-30U		1-7/8	5.87	1.46	0.73	4.61	4.02	3.37	0.63	3.54	1.10	1.97	0.75	1.93	3.27	1.93	0.69	UC210-30		
WS210-31U		1-15/16																UC210-31		
WS210-32U		2																UC210-32		
WS211-55UMM	55		171	38	19	146	130	95	19	106	35	53.9	25.4	63.5	102	63.5	27	UC211-55MM	WS211	4.2
WS211-32U		2	6.73	1.50	0.75	5.75	5.12	3.74	0.75	4.17	1.38	2.12	1.00	2.50	4.02	2.50	1.06	UC211-32		
WS211-34U		2-1/8																UC211-34		
WS211-35U		2-3/16																UC211-35		
WS212-60UMM	60		194	46	23	146	130	102	19	119	35	62.7	32	63.5	102	63.5	27	UC212-60MM	WS212	5.9
WS212-36U		2-1/4	7.64	1.81	0.91	5.75	5.12	4.02	0.75	4.69	1.38	2.47	1.26	2.50	4.02	2.50	1.06	UC212-36		
WS212-38U		2-3/8																UC212-38		
WS212-39U		2-7/16																UC212-39		

Note: Eccentric and Adapter Lock Bearings also available from stock.