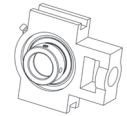
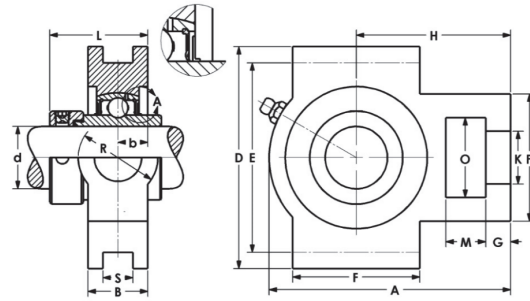


Take-Up

HCT 200 PTI Series
Normal Duty Bearing
Cast Iron Housing
Eccentric Collar Lock
Metric and Inch Bores



Models Available

Part No.	Shaft Size d		Dimensions (mm) (in)														Bearing No.	Housing No.	Wt. kg	
	mm	in	A	B	b	D	E	F	G	H	K	L	M	O	P	R				S
HCT204-20MM HCT204-12	20 3/4		94 3.70	21 0.83	10.5 0.41	89 3.50	76 2.99	51 2.01	10 0.39	61 2.40	19 0.75	37.1 1.46	16 0.63	32 1.26	51 2.01	32 1.26	12 0.47	HC204-20MM HC204-12	T204	0.7
HCT205-25MM HCT205-14 HCT205-15 HCT205-16	25 7/8 15/16 1		97 3.82	24 0.94	12 0.47	89 3.50	76 2.99	51 2.01	10 0.39	62 2.44	19 0.75	38.9 1.53	16 0.63	32 1.26	51 2.01	32 1.26	12 0.47	HC205-25MM HC205-14 HC205-15 HC205-16	T205	1.0
HCT206-30MM HCT206-18 HCT206-19 HCT206-20	30 1-1/8 1-3/16 1-1/4		113 4.45	28 1.10	14 0.55	102 4.02	89 3.50	57 2.24	10 0.39	70 2.76	22 0.87	44.1 1.74	16 0.63	37 1.46	56 2.20	37 1.46	12 0.47	HC206-30MM HC206-18 HC206-19 HC206-20	T206	1.6
HCT207-35MM HCT207-20 HCT207-22 HCT207-23	35 1-1/4 1-3/8 1-7/16		129 5.08	30 1.18	15 0.59	102 4.02	89 3.50	64 2.52	13 0.51	78 3.07	22 0.87	47.3 1.86	16 0.63	37 1.46	64 2.52	37 1.46	12 0.47	HC207-35MM HC207-20 HC207-22 HC207-23	T207	2.0
HCT208-40MM HCT208-24	40 1-1/2		144 5.67	33 1.30	16.5 0.65	114 4.49	102 4.02	83 3.27	16 0.63	88 3.46	29 1.14	51.4 2.02	19 0.75	49 1.93	83 3.27	49 1.93	16 0.63	HC208-40MM HC208-24	T208	2.7
HCT209-45MM HCT209-26 HCT209-27 HCT209-28	45 1-5/8 1-11/16 1-3/4		144 5.67	35 1.38	17.5 0.69	117 4.61	102 4.02	83 3.27	16 0.63	87 3.43	29 1.14	52.4 2.06	19 0.75	49 1.93	83 3.27	49 1.93	16 0.63	HC209-45MM HC209-26 HC209-27 HC209-28	T209	2.9
HCT210-50MM HCT210-30 HCT210-31 HCT210-32	50 1-7/8 1-15/16 2		149 5.87	37 1.46	18.5 0.73	117 4.61	102 4.02	86 3.39	16 0.63	90 3.54	29 1.14	56.6 2.23	19 0.75	49 1.93	83 3.27	49 1.93	16 0.63	HC210-50MM HC210-30 HC210-31 HC210-32	T210	3.2
HCT211-55MM HCT211-32 HCT211-34 HCT211-35	55 2 2-1/8 2-3/16		171 6.73	38 1.50	19 0.75	146 5.75	130 5.12	95 3.74	19 0.75	106 4.17	35 1.38	62.6 2.46	25 0.98	64 2.52	102 4.02	64 2.52	22 0.87	HC211-55MM HC211-32 HC211-34 HC211-35	T211	4.2
HCT212-60MM HCT212-36 HCT212-38 HCT212-39	60 2-1/4 2-3/8 2-7/16		194 7.64	42 1.65	21 0.83	146 5.75	130 5.12	102 4.02	19 0.75	119 4.69	35 1.38	67.8 2.67	32 1.26	64 2.52	102 4.02	64 2.52	22 0.87	HC212-60MM HC212-36 HC212-38 HC212-39	T212	5.9
HCT213-65MM HCT213-40	65 2-1/2		224 8.82	44 1.73	22 0.87	167 6.57	151 5.94	121 4.76	21 0.83	137 5.39	41 1.61	68.8 2.71	32 1.26	70 2.76	111 4.37	70 2.76	26 1.02	HC213-65MM HC213-40	T213	7.7
HCT214-70MM HCT214-43 HCT214-44	70 2-11/16 2-3/4		224 8.82	46 1.81	23 0.91	167 6.57	151 5.94	121 4.76	21 0.83	137 5.39	41 1.61	74.2 2.92	32 1.26	70 2.76	111 4.37	70 2.76	26 1.02	HC214-70MM HC214-43 HC214-44	T214	7.8
HCT215-75MM HCT215-47 HCT215-48	75 2-15/16 3		232 9.13	48 1.89	24 0.94	167 6.57	151 5.94	121 4.76	21 0.83	140 5.51	41 1.61	78.4 3.09	32 1.26	70 2.76	111 4.37	70 2.76	26 1.02	HC215-75MM HC215-47 HC215-48	T215	8.51
HCT216-80MM HCT216-50	80 3-1/8		235 9.25	51 2.01	25.5 1.00	184 7.24	165 6.50	121 4.76	21 0.83	140 5.51	41 1.61	85.1 3.35	32 1.26	70 2.76	111 4.37	70 2.76	26 1.02	HC216-80MM HC216-50	T216	9.4
HCT218-90MM HCT218-56	90 3-1/2		275 10.83	55 2.17	27.5 1.08	215 8.46	190 7.48	140 5.51	30 1.18	160 6.30	48 1.89	90.2 3.55	40 1.57	80 3.15	130 5.12	80 3.15	30 1.18	HC218-90MM HC218-56	T218	14.8
HCT220-100MM	100 --		295	60	30	240	215	160	30	180	47	79.5	40	80	130	90	28	HC220-100MM	T220	15.5

Note: Set Screw and Adapter Lock Bearings also available from stock.