

# 2-Bolt Flange



## CLFL 200 PTI Series

Normal Duty Bearing

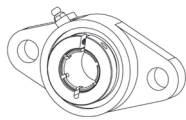
Cast Iron Housing

Concentric Locking Collar

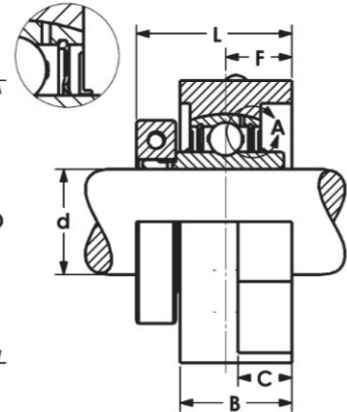
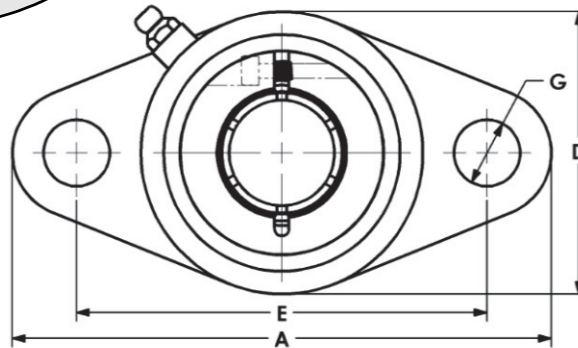
Metric and Inch Bores



The locking collar provides for a concentric fit to the shaft



Models Available



Part No.	Shaft Size		Dimensions (mm) (in)								Bearing No.	Housing No.	Wt. kg
	mm	in	A	B	C	D	E	F	G	L			
CLFL204-20MM CLFL204-12	20	3/4	113 4.45	25.5 1.00	11 0.43	60 2.36	90 3.54	15 0.59	12 0.47	34.8 1.37	CL204-20MM CL204-12	FL204	0.4
CLFL205-25MM CLFL205-14 CLFL205-15 CLFL205-16	25	7/8 15/16 1	130 5.12	27 1.06	13 0.51	68 2.68	99 3.90	16 0.63	16 0.63	38.2 1.50	CL205-25MM CL205-14 CL205-15 CL205-16	FL205	0.6
CLFL206-30MM CLFL206-18 CLFL206-19 CLFL206-20	30	1-1/8 1-3/16 1-1/4	148 5.83	31 1.22	13 0.51	80 3.15	117 4.61	18 0.71	16 0.63	41.8 1.65	CL206-30MM CL206-18 CL206-19 CL206-20	FL206	0.8
CLFL207-35MM CLFL207-20 CLFL207-22 CLFL207-23	35	1-1/4 1-3/8 1-7/16	161 6.34	34 1.34	15 0.59	90 3.54	130 5.12	19 0.75	16 0.63	46.0 1.81	CL207-35MM CL207-20 CL207-22 CL207-23	FL207	0.9
CLFL208-40MM CLFL208-24	40	1-1/2	175 6.89	36 1.42	15 0.59	100 3.94	144 5.67	21 0.83	16 0.63	52.8 2.08	CL208-40MM CL208-24	FL208	1.0
CLFL209-45MM CLFL209-26 CLFL209-27 CLFL209-28	45	1-5/8 1-11/16 1-3/4	188 7.40	38 1.50	16 0.63	108 4.25	148 5.83	22 0.87	19 0.75	53.8 2.12	CL209-45MM CL209-26 CL209-27 CL209-28	FL209	1.3
CLFL210-50MM CLFL210-31 CLFL210-32	50	1-15/16 2	197 7.76	40 1.58	16 0.63	115 4.53	157 6.18	22 0.87	19 0.75	56.1 2.21	CL210-50MM CL210-31 CL210-32	FL210	1.6
CLFL211-55MM CLFL211-32 CLFL211-34 CLFL211-35	55	2 2-1/8 2-3/16	224 8.82	43 1.69	18 0.71	130 5.12	184 7.24	25 0.98	19 0.75	59.9 2.36	CL211-55MM CL211-32 CL211-34 CL211-35	FL211	2.2
CLFL212-60MM CLFL212-36 CLFL212-38 CLFL212-39	60	2-1/4 2-3/8 2-7/16	250 9.84	48 1.89	18 0.71	140 5.51	202 7.95	29 1.14	23 0.91	70.3 2.77	CL212-60MM CL212-36 CL212-38 CL212-39	FL212	3.3

Note: Other sizes available on request.