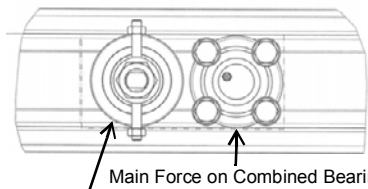
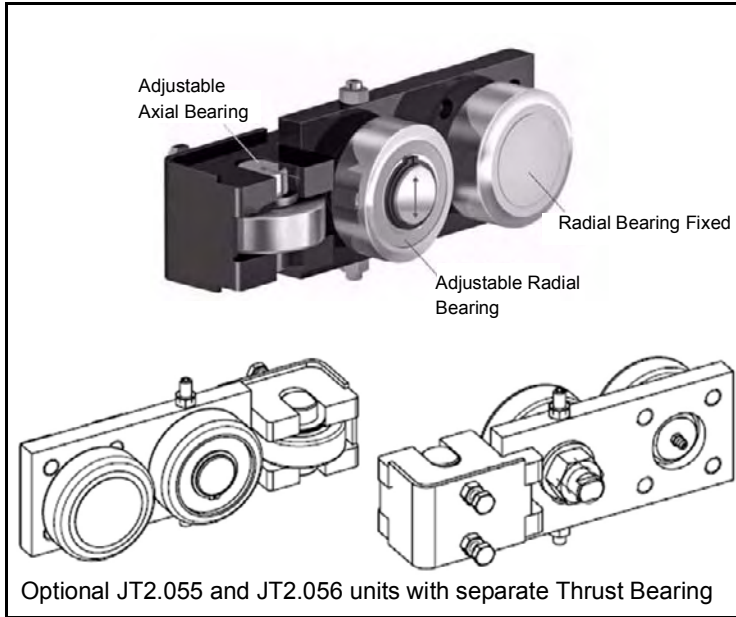
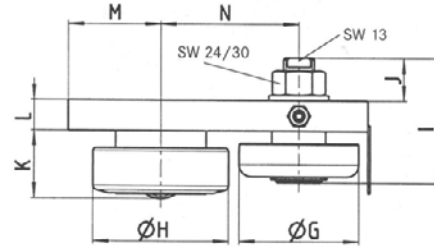
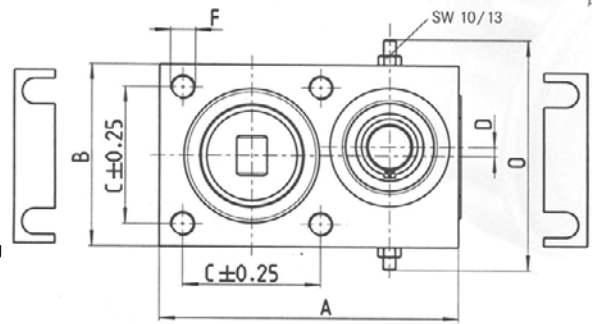


WINKEL Combined Bearings

Type JC Adjusting Unit For Standard Profiles



Main Force on Combined Bearing
Adjustable Radial Bearing
Removes System Clearance



Optional JT2.055 and JT2.056 units with separate Thrust Bearing

Assembly / Adjusting

- Secure the unit by the flange plate and within the profile.
- The position of the adjustable bearing must be at the opposite direction from the load.
- The main forces should be on the radial bearing of the Combined Bearing.
- The adjustable bearing can be adjusted and finally secured.
- Set adjustable bearing to the top raceway with a clearance of 0.05 to 0.10mm.

CAD Drawing Download: www.winkel.de

Bearing Part No.	Dimensions													
	A mm	B mm	C mm	+/- D mm	F mm	G mm	H mm	I mm	J mm	K mm	L mm	M mm	N mm	O mm
W-JC 4.054	140	60	40	8	M10	62.4	62.5	64	24	30.5	10	30	72.0	80
W-JC 4.055	170	80	50	10	M12	70.0	70.1	82	33	36.0	15	40	83.5	102
W-JC 4.056	170	80	50	10	M12	78.0	77.7	82	33	36.5	15	40	83.5	102
W-JC 4.058	195	120	90	20	M16	78.0	88.4	82	28	44.0	20	60	90.0	152
W-JC 4.061	240	120	80	20	M16	101.6	107.7	98	29	55.0	20	60	120.0	150
W-JC 4.062	240	120	80	20	M16	101.6	123.0	98	29	56.0	20	60	120.0	150
W-JC 4.063	265	150	100	35	M16	101.6	149.0	98	29	58.5	20	75	130.0	170

Bearing Part No.	Profile Max Static Radial Load F_{RkN}	Profile Max Static Axial Load F_{AkN}	Dynamic Load Capacity of Radial Brg C kN	Static Load Capacity of Radial Brg C_{0kN}	Dynamic Load Capacity of Axial Brg C_{AkN}	Static Load Capacity of Axial Brg C_{0AkN}	RPM max	Wt. kg	Profiles
W-JC 4.054	9.4	3.1	31.0	35.5	11	11	900	1.65	W-0Nb
W-JC 4.055	11.3	3.73	45.5	51.0	13	14	900	2.95	W-1Nb
W-JC 4.056	11.72	3.87	48.0	56.8	18	18	800	3.30	W-2Nb
W-JC 4.058	20.47	6.76	68.0	72.0	23	23	750	5.80	W-3Nb
W-JC 4.061	21.68	7.16	81.0	95.0	31	36	650	8.75	W-4Nb
W-JC 4.062	30.92	10.2	110.0	132.0	43	50	550	9.75	W-5Nb
W-JC 4.063	54.02	17.8	151.0	192.0	68	71	450	13.90	W-6Nb