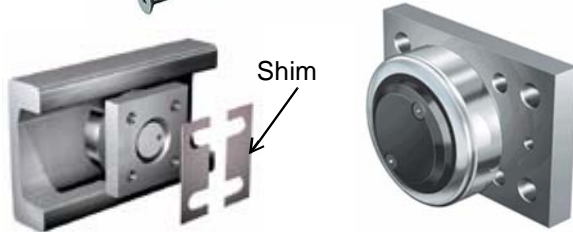
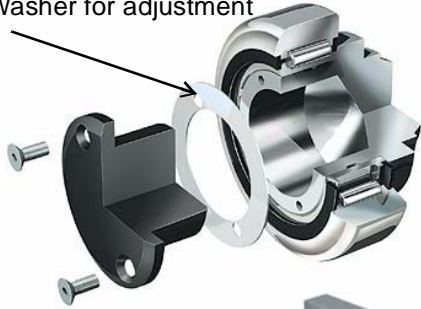


WINKEL Combined Bearings

with Oilamide Thrust Bearing with Washer



Face Washer for adjustment

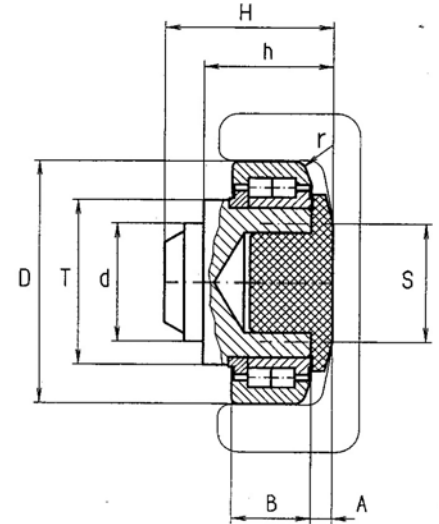


With Square Flange

With Rectangular Flange

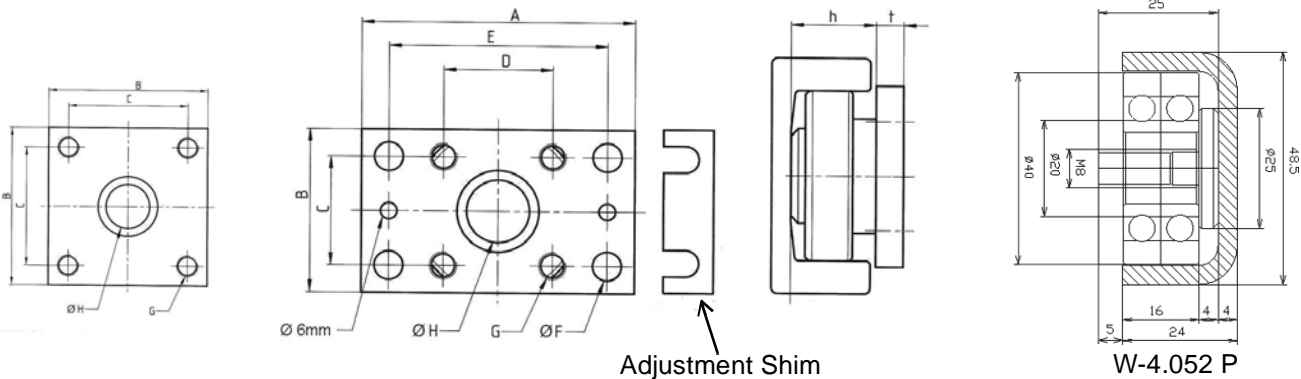
The Oilamide Thrust Bearing is a high resistant self-lubricant Polyamide within a standard Cylindrical Roller bearing, ideal for thrust loads.

The adjustment of dimension (A) is obtained by means of a Face Washer positioned between the main body of the bearing and the polyamide insert. Face Washers (0.5mm and 1.0mm thickness) are available if adjustment is required.



CAD Drawing Download: www.winkel.de

Bearing only Part No.	Dimensions									Ratings				Wt. kg	Rectangular Flange Plates Part No.	Profile Part No.	
	A mm	B mm	D mm	d (-0.05mm)	H mm	h mm	r mm	S mm	T mm	C kN	C ₀ kN	F _R kN	F _A kN				RPM max
W-4.052 P	4.0	16	40	20	25	—	—	20	—	10	5.7	0.8	3.1	800	0.15	W-APA	W-A
W-4.072 P	5.5	20	62.5	30	43	33	3	25	42	31	35.5	9.4	4.0	900	0.49	W-AP0	W-0Nb
W-4.073 P	6.5	23	70.1	35	48	40	4	33	48	45.5	51	11.3	6.7	800	0.74	W-AP1	W-1Nb
W-4.074 P	7	23	78.1	40	50.5	39.5	4	40	54	48	56.8	11.7	7.2	700	0.94	W-AP2	W-2Nb
W-4.076 P	7	30	88.4	45	61	48	3	45	59	68	72	20.5	8.9	600	1.57	W-AP3	W-3Nb
W-4.0784 P	8	31	107.7	60	69	55	5	60	71	81	95	21.7	14.4	500	2.63	W-AP4	W-4Nb
W-4.079 P	8	37	123	60	75.5	59.5	5	70	80	110	132	30.9	38.4	500	3.90	W-AP4	W-5Nb
W-4.080 P	8	45	149	60	82	62	5	100	103	151	192	54.0	41.6	400	6.5	W-AP6	W-6Nb
W-4.085 P	10	57.3	180	100	99.2	79.8	5	112	124	207	243	76.0	41.6	200	11.5	W-AP90-Q	W-8Nb



Adjustment Shim

W-4.052 P

Part No. with Rectangular Flange Plate	Part No. with Square Flange Plate	Dimensions (mm)										Shim	
		A	B	C	D	E	ØF	G	ØH	h	t	t = 0.5mm	t = 1.0mm
W-4.072P/AP 0	W-4.072P/AP0-Q	100	60	40	40	80	10.50	M10	30	33	10	W-DS-0-0.5	W-DS-0-1.0
W-4.073P/AP 1	W-4.073P/AP1-Q	120	80	50	50	90	12.50	M12	35	40	15	W-DS-1-0.5	W-DS-1-1.0
W-4.074P/AP 2	W-4.074P/AP2-Q	120	80	50	50	90	12.50	M12	40	39.5	15	W-DS-2-0.5	W-DS-2-1.0
W-4.076P/AP 3.1	—	160	100	60	60	120	17.00	M16	45	48	20	W-DS-3.1-0.5	W-DS-3.1-1.0
—	W-4.076P/AP3-Q	—	120	90	—	—	—	M16	45	44.0	20	W-DS-3-0.5	W-DS-3-1.0
W-2.0784P/AP 4	W-4.0784P/AP4-Q	180	120	80	80	140	17.00	M16	60	55	20	W-DS-4-0.5	W-DS-4-1.0
W-2.079P/AP 4	W-4.079P/AP4-Q	180	120	80	80	140	17.00	M16	60	59.5	20	W-DS-4-0.5	W-DS-4-1.0
W-2.080P/AP6	W-4.080P/AP6-Q	200	150	100	100	160	17.00	M16	60	62	20	W-DS-6-0.5	W-DS-6-1.0