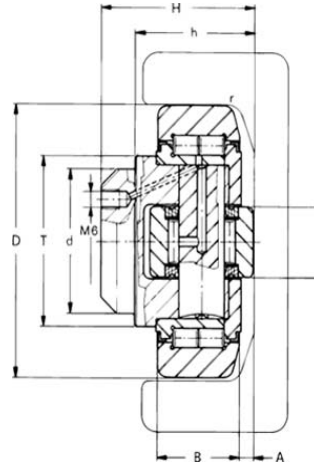
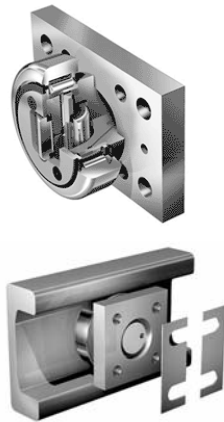


Fixed Axial Bearing



High Temp Units Available on Request

Standard Fixed Axial Bearing

Relubrication for sizes 4.054 thru 4.063

Bearing only Part No.	Bearing with Rectangular Flange Plate Part No.	Bearing with Square Flange Plate Part No.	Dimensions										Brg Wt. kg	Profile Part No.
			A mm	B mm	d (-0.05mm)	D* mm	h mm	H mm	r mm	S mm	T mm	RPM max		
W-4.053	W-4.053/APS	W-4.053/APS-Q	5	17	30	52.5	27	33	2	15	40	800	0.46	W-S
W-4.054	W-4.054/AP0	W-4.054/AP0-Q	2.5	20	30	62.5	30.5	37.5	3	20	42	900	0.53	W-0 Nb
W-4.055	W-4.055/AP1	W-4.055/AP1-Q	2.5	23	35	70.1	36	44	4	22	48	900	0.80	W-1 Nb W-3018
W-4.056	W-4.056/AP2	W-4.056/AP2-Q	3	23	40	77.7	36.5	48	4	26	54	800	1.00	W-2 Nb
W-4.057	**	**	3	23	40	77.7	29	40	4	26	53	800	0.87	W-3019
W-4.058	W-4.058/AP3.1	W-4.058/AP3-Q	3.5	30	45	88.4	44	57	3	26	59	750	1.62	W-3 Nb W-3020
W-4.059	**	**	3	28	50	101.2	33	46	3	30	67	700	1.74	W-2912
W-4.060	**	**	3	31	55	107.7	39	53	5	34	71	650	2.27	W-3100
W-4.061	W-4.061/AP4	W-4.061/AP4-Q	4	31	60	107.7	55	69	5	34	71	650	2.82	W-4 Nb
W-4.062	W-4.062/AP4	W-4.062/AP4-Q	5	37	60	123	56	72.3	5	40	80	550	3.89	W-5 Nb W-3353
W-4.063	W-4.063/AP6	W-4.063/AP6-Q	5.5	43	60	149	58.5	78.5	3	50	103	450	6.52	W-6 Nb

Profile & Bearing Load Ratings

CAD Drawing Download: www.winkel.de

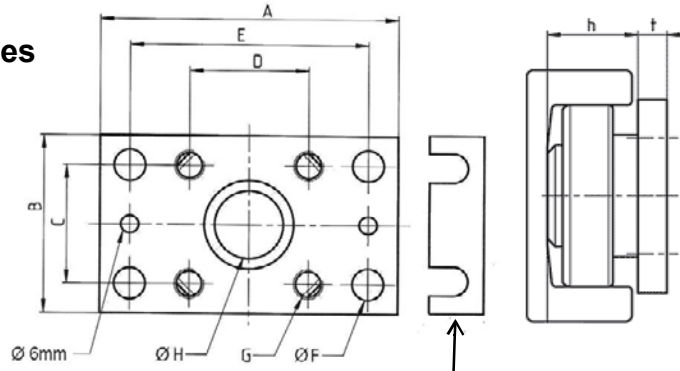
Bearing only Part No.	Profile		Max Static Radial Load on Profile F_R kN		Max Static Axial Load on Profile F_A kN		Dynamic Load Capacity of Radial Brg C kN	Static Load Capacity of Radial Brg C_0 kN	Dynamic Load Capacity of Axial Brg C_A kN	Static Load Capacity of Axial Brg C_{0A} kN
	C-Profile	I-Profile	C-Profile	I-Profile	C-Profile	I-Profile				
W-4.053	S	—	5.23	—	1.68	—	24.0	32.0	7	7
W-4.054	0 Nb	—	9.40	—	3.10	—	31.0	35.5	11	11
W-4.055	1 Nb	3018	11.30	11.30	3.73	3.73	45.5	51.0	13	14
W-4.056	2 Nb	—	11.72	—	3.87	—	48.0	56.8	18	18
W-4.057	—	3019	—	11.72	—	3.87	48.0	56.8	18	18
W-4.058	3 Nb	3020	20.47	20.47	6.76	6.76	68.0	72.0	23	23
W-4.059	—	2912	—	20.11	—	6.70	73.0	82.0	25	27
W-4.060	—	3100	—	21.68	—	7.16	81.0	95.0	31	36
W-4.061	4 Nb	—	21.68	—	7.16	—	81.0	95.0	31	36
W-4.062	5 Nb	3353	30.92	24.70	10.20	10.20	110.0	132.0	43	50
W-4.063	6 Nb	—	54.02	—	17.80	—	151.0	192.0	68	71

Note: * OD has a slight crown to accommodate misalignments. ** Flange Plates available on request. Bearings with 2RS Seals.

■ These sizes available in stainless (INOX), ratings will be lower.

Fixed Axial Bearing

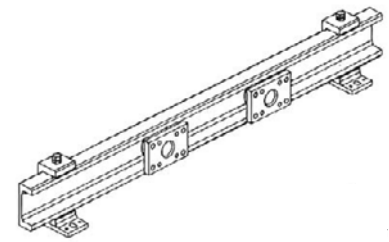
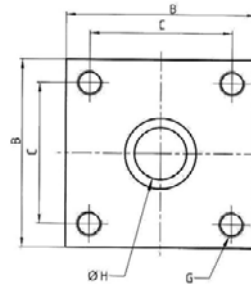
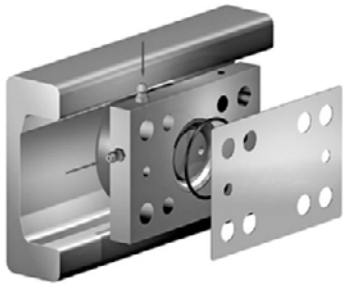
Rectangular Flange Plates



Square Flange Plates

Adjustment Shim

Clamp Flange



Optional Flange Plates with Re-Lube Feature

Flange Plate Detail

Bearing with Rectangular Flange Plate Part No.	Bearing with Square Flange Plate Part No.	Dimensions										Flange Plate Only	
		A mm	B mm	C mm	D mm	E mm	ØF mm	G	ØH mm	h mm	t mm	Rectangular Part No.	Square Part No.
W-4.053/APS	W-4.053/APS-Q	90	50	30	40	70	8.5	M8	30	27.0	10	W-APS	W-APS-Q
W-4.054/AP0	W-4.054/AP0-Q	100	60	40	40	80	10.5	M10	30	30.5	10	W-AP0	W-AP0-Q
W-4.055/AP1	W-4.055/AP1-Q	120	80	50	50	90	12.5	M12	35	36.0	15	W-AP1	W-AP1-Q
W-4.056/AP2	W-4.056/AP2-Q	120	80	50	50	90	12.5	M12	40	36.5	15	W-AP2	W-AP2-Q
W-4.058/AP3.1	—	160	100	60	60	120	17.0	M16	45	44.0	20	W-AP3.1	—
—	W-4.058/AP3-Q	—	120	90	—	—	—	M16	45	44.0	20	—	W-AP3-Q
W-4.061/AP4	W-4.061/AP4-Q	180	120	80	80	140	17.0	M16	60	55.0	20	W-AP4	W-AP4-Q
W-4.062/AP4	W-4.062/AP4-Q	180	120	80	80	140	17.0	M16	60	56.0	20	W-AP4	W-AP4-Q
W-4.063/AP6	W-4.063/AP6-Q	200	150	100	100	160	17.0	M16	60	58.5	20	W-AP6	W-AP6-Q

Adjustment Shims for Flange Bearings

Bearing Size	0.5 mm Shim Part No.	1.0 mm Shim Part No.
W-4.053	W-DS-S-0.5	W-DS-S-1.0
W-4.054	W-DS-0-0.5	W-DS-0-1.0
W-4.055	W-DS-1-0.5	W-DS-1-1.0
W-4.056	W-DS-2-0.5	W-DS-2-1.0
W-4.058	W-DS-3-0.5	W-DS-3-1.0
W-4.061	W-DS-4-0.5	W-DS-4-1.0
W-4.062	W-DS-4-0.5	W-DS-4-1.0
W-4.063	W-DS-6-0.5	W-DS-6-1.0

Clamp Flanges for Mounting Profile

Part No.	Profile Size
W-KF S	S
W-KF 0	0Nb
W-KF 1	1Nb
W-KF 2	2Nb
W-KF 3	3Nb
W-KF 4	4Nb

See Clamp Flange Section for Dimensions

Precision Fixed Axial Bearings for Precision Profile

Bearing Only Part No. *	Bearing with Rectangular Flange Part No.	Bearing with Square Flange Part No.	D Bearing OD	Profile Size
W-PR4.054	W-PR4.054/AP0	W-PR4.054/AP0-Q	64.8	W-PR0Nb
W-PR4.055	W-PR4.055/AP1	W-PR4.055/AP1-Q	73.8	W-PR1Nb
W-PR4.056	W-PR4.056/AP2	W-PR4.056/AP2-Q	81.8	W-PR2Nb
W-PR4.058	W-PR4.058/AP3.1	W-PR4.058/AP3-Q	92.8	W-PR3Nb
W-PR4.061	W-PR4.061/AP4	W-PR4.061/AP4-Q	111.8	W-PR4Nb
W-PR4.062	W-PR4.062/AP4	W-PR4.062/AP4-Q	127.8	W-PR5Nb
W-PR4.063	W-PR4.063/AP6	W-PR4.063/AP6-Q	153.8	W-PR6Nb

Note: * PR Bearing Load Ratings & Profile Ratings are the same as standard units.