

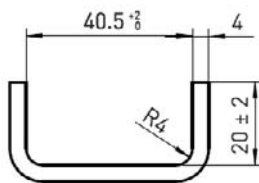
Single Profiles

Standard Series



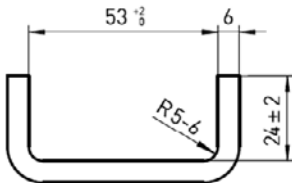
All profiles from 0Nb thru 8Nb are from S450 J2 Modified in lengths to 12 meters. Longer lengths are available on request. PTI typically stocks 6 meter lengths for the ease of handling and will provide cut to length on request.

The Nb Series offers higher load capacities. The radial clearance between the bearing and profile is approximately 1mm for the standard profile. For reduced radial clearance, see Precision Bearings and Profiles.



Part No.: W-A Standard Profile. Wt. 2.6 kg/m

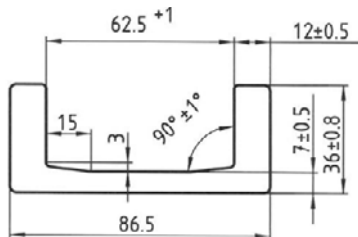
Area: 3.3cm² ey: 0.8cm
 Wx: 4.4cm³ lx: 10.6cm⁴
 Wy: 1.0cm³ ly: 1.7cm⁴



Part No.: W-S Standard Profile. Wt. 5.3 kg/m

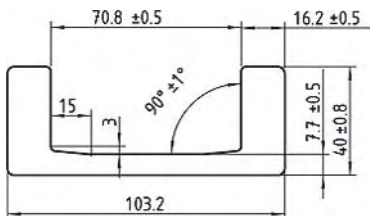
Area: 6.4cm² ey: 1.0cm
 Wx: 11.9cm³ lx: 35.4cm⁴
 Wy: 2.5cm³ ly: 5.0cm⁴

Also available in Stainless



Part No.: W-0Nb Standard Profile. Wt. 10.5 kg/m

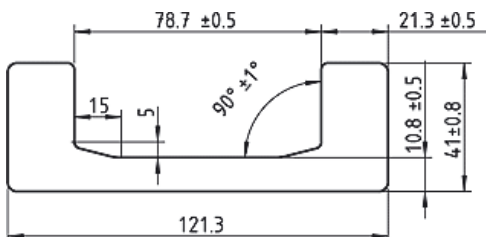
Area: 13.4cm² ey: 1.3cm
 Wx: 32cm³ lx: 137cm⁴
 Wy: 6.7cm³ ly: 15.4cm⁴



Part No.: W-1Nb Standard Profile. Wt. 14.8 kg/m

Area: 18.8cm² ey: 1.5cm
 Wx: 53cm³ lx: 273cm⁴
 Wy: 11cm³ ly: 27cm⁴

Also available in Stainless



Part No.: W-2Nb Standard Profile. Wt. 20.9 kg/m

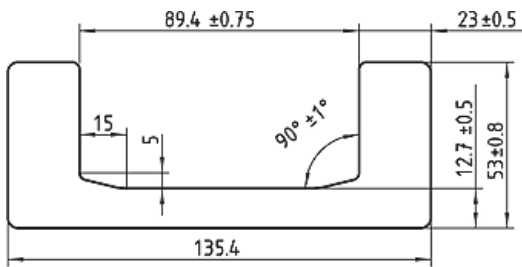
Area: 26.6cm² ey: 1.5cm
 Wx: 81cm³ lx: 493cm⁴
 Wy: 15cm³ ly: 38cm⁴

Also available in Stainless

Single Profiles

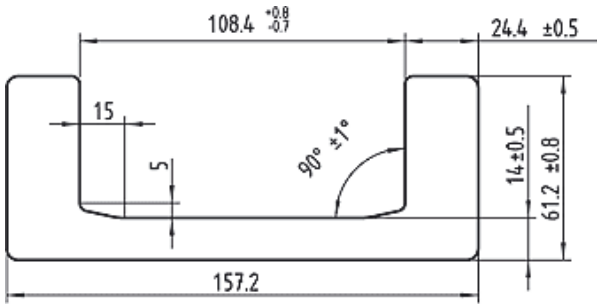


Standard Series



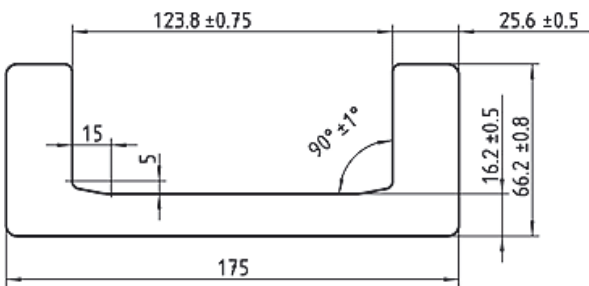
Part No.: W-3Nb Standard Profile. Wt. 28.6 kg/m

Area: 36.4cm² ey: 2.0cm
 Wx: 128cm³ lx: 865cm⁴
 Wy: 27cm³ ly: 89cm⁴



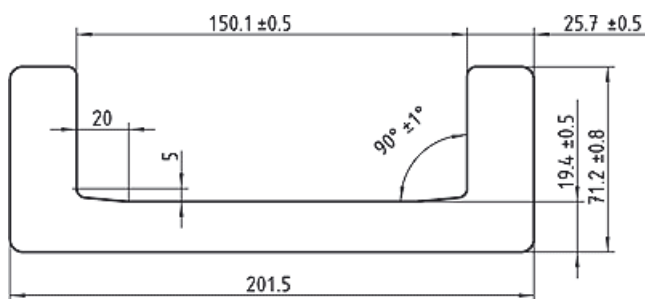
Part No.: W-4Nb Standard Profile. Wt. 36.0 kg/m

Area: 45.7cm² ey: 2.2cm
 Wx: 190cm³ lx: 1494cm⁴
 Wy: 39cm³ ly: 150cm⁴



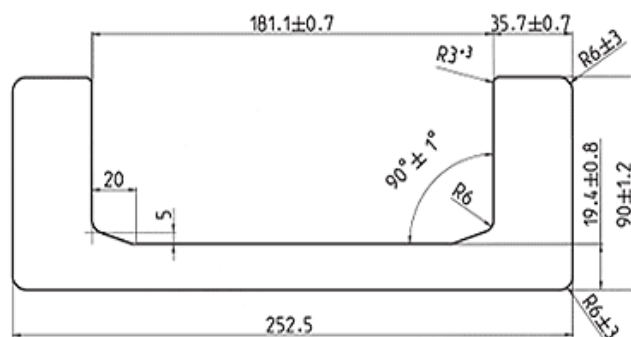
Part No.: W-5Nb Standard Profile. Wt. 42.8 kg/m

Area: 54.6cm² ey: 1.9cm
 Wx: 250cm³ lx: 2185cm⁴
 Wy: 48cm³ ly: 205cm⁴



Part No.: W-6Nb Standard Profile. Wt. 52.3 kg/m

Area: 66.6cm² ey: 2.0cm
 Wx: 340cm³ lx: 3423cm⁴
 Wy: 57cm³ ly: 270cm⁴



Part No.: W-8Nb Standard Profile. Wt. 78.7 kg/m

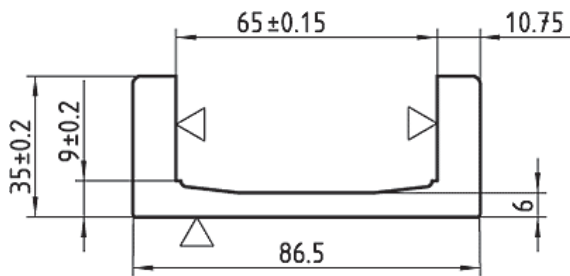
Area: 100.1cm² ey: 2.68cm
 Wx: 681.6cm³ lx: 8605.4cm⁴
 Wy: 125.1cm³ ly: 721cm⁴

Single Profiles

Precision Series

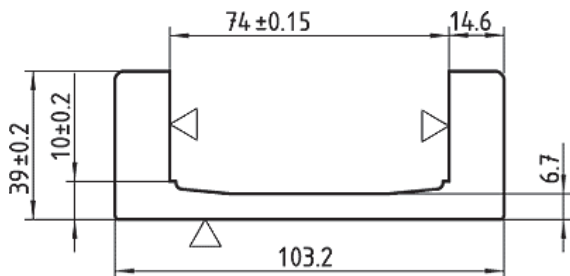


All Precision profiles are made from high-quality steel S450 J2 Modified. They are fine straightened and sand blasted, ready to install. Typical stock production length is 12 meters. Longer lengths are available on request. The bearing contact surfaces are machined in one continuous machine operation for accuracy. Profiles can be machined according to customer drawings as well, and include mounting holes as shown. Lengths as requested to 50ft are possible.



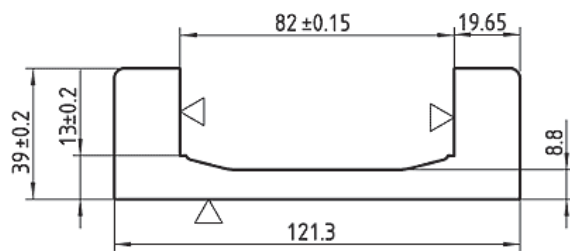
Part No.: W-PR 0Nb Precision Profile. Wt. 9.4 kg/m

Area: 11.8cm² ey: 1.2cm
 Wx: 28.3cm³ lx: 122.6cm⁴
 Wy: 5.2cm³ ly: 12.5cm⁴



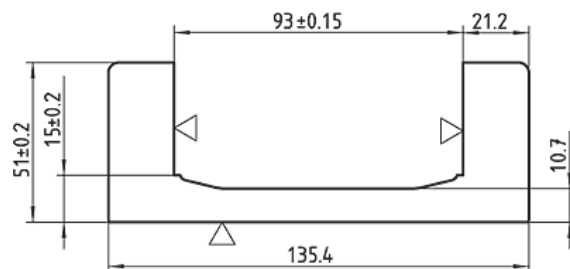
Part No.: W-PR 1Nb Precision Profile. Wt. 13.4 kg/m

Area: 16.8cm² ey: 1.43cm
 Wx: 48cm³ lx: 249cm⁴
 Wy: 8.9cm³ ly: 22.9cm⁴



Part No.: W-PR 2Nb Precision Profile. Wt. 18.3 kg/m

Area: 23.3cm² ey: 1.4cm
 Wx: 73.5cm³ lx: 446cm⁴
 Wy: 11.4cm³ ly: 30.3cm⁴

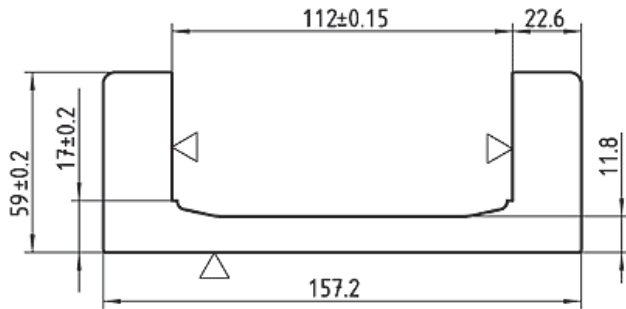


Part No.: W-PR 3Nb Precision Profile. Wt. 25.4 kg/m

Area: 32.4cm² ey: 1.92cm
 Wx: 117.3cm³ lx: 795cm⁴
 Wy: 21.8cm³ ly: 74.4cm⁴

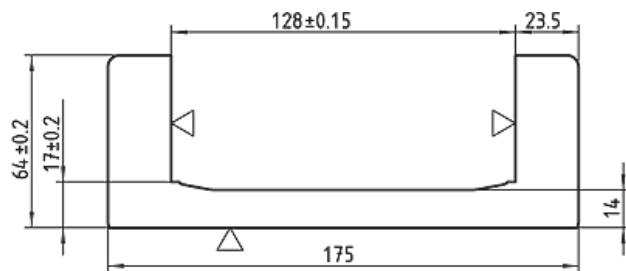
Single Profiles

Precision Series



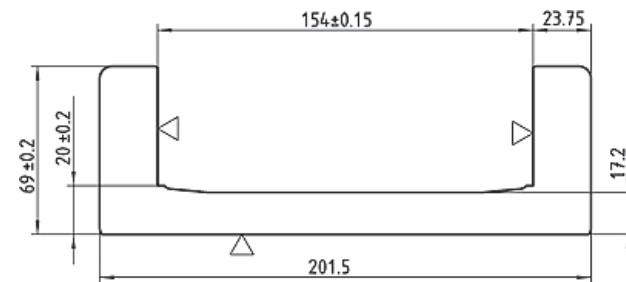
Part No.: W-PR 4Nb Precision Profile. Wt. 32.1 kg/m

Area: 40.7cm² ey: 2.1cm
 Wx: 174.6cm³ lx: 1373cm⁴
 Wy: 31.8cm³ ly: 126.6cm⁴



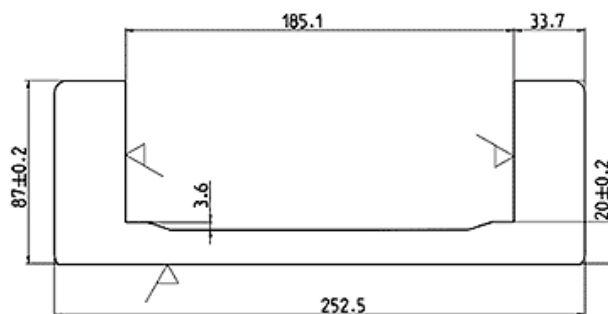
Part No.: W-PR 5Nb Precision Profile. Wt. 38.1 kg/m

Area: 48.6cm² ey: 2.2cm
 Wx: 228cm³ lx: 1996cm⁴
 Wy: 39.7cm³ ly: 174cm⁴



Part No.: W-PR 6Nb Precision Profile. Wt. 47.1 kg/m

Area: 60.0cm² ey: 2.3cm
 Wx: 312cm³ lx: 3148cm⁴
 Wy: 47.8cm³ ly: 232cm⁴



Part No.: W-PR 8Nb precision Profile. Wt. 70.6 kg/m

Area: 89.9cm² ey: 3.1cm
 Wx: 634cm³ lx: 8000cm⁴
 Wy: 112cm³ ly: 623cm⁴

Duplex Profiles

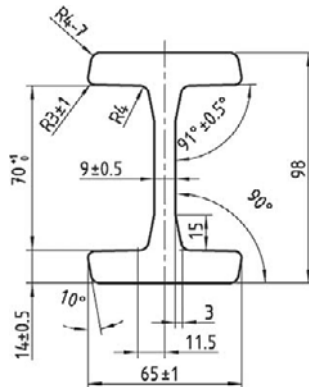
Standard Series



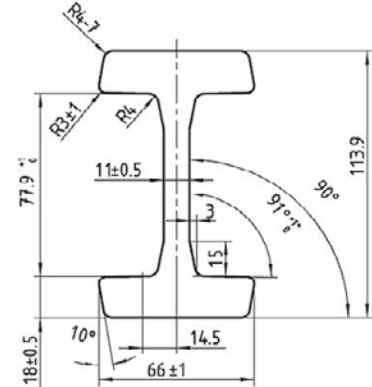
Material: S450 J2 Modified. Can be provided cut to length up to 6 meters long, longer on request.



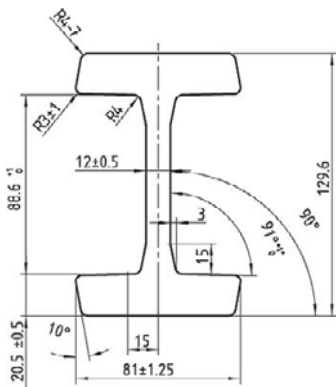
CAD Drawing Download: www.winkel.de



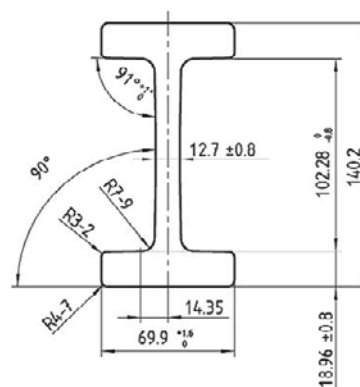
Part No.: W-3018 Wt. 19.4 kg/m
 Area: 24.8cm² Wy: 18.00cm³
 Wx: 70.6cm³ ly: 58.3cm⁴
 lx: 345.9cm⁴



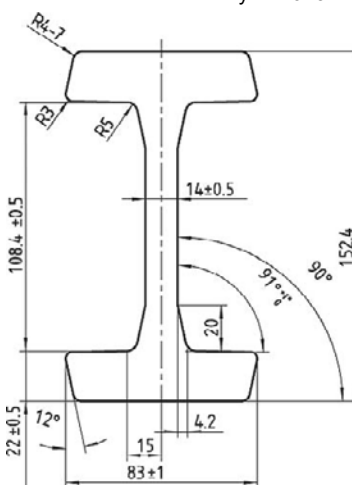
Part No.: W-3019 Wt. 25.3 kg/m
 Area: 32.2cm² lx: 597.5cm⁴
 Wx: 104.9cm³ Wy: 23.2cm³
 ly: 76.8cm⁴



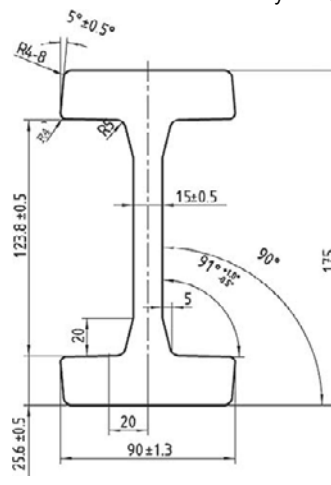
Part No.: W-3020 Wt. 34.0 kg/m
 Area: 43.4cm² lx: 1037cm⁴
 Wx: 160cm³ Wy: 40cm³
 ly: 162cm⁴



Part No.: W-2912 Wt. 31.17 kg/m
 Area: 39.5cm² lx: 1089cm⁴
 Wx: 156cm³ Wy: 30cm³
 ly: 105cm⁴



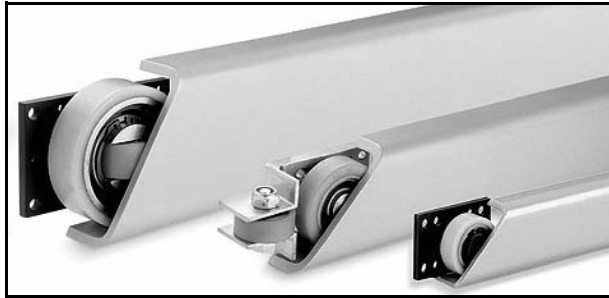
Part No.: W-3100 Wt. 40.8 kg/m
 Area: 51.1cm² lx: 1657cm⁴
 Wx: 217cm³ Wy: 44cm³
 ly: 184cm⁴



Part No.: W-3353 Wt. 51.4 kg/m
 Area: 65.5cm² lx: 2826cm⁴
 Wx: 323cm³ Wy: 65.2cm³
 ly: 293cm⁴

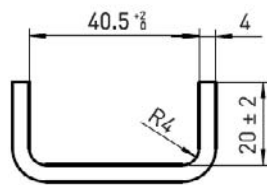
Note: See selection page for load ratings of profiles. Larger fabricated sizes available on request.

for Vulkollan & Polyamide Combined Bearings

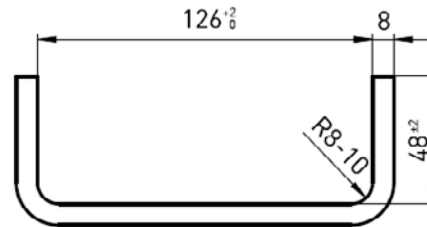


Select Profiles for Vulkollan or Polyamide combined bearings based on the load rating of the particular bearing. The individual bearing loads are listed within each series section.

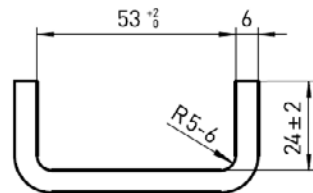
Part No. W-A



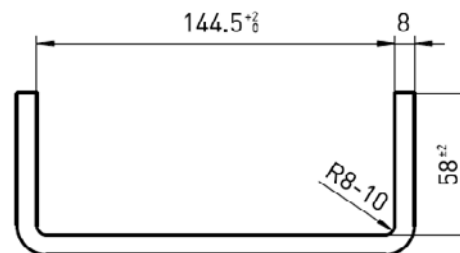
Part No. W-R



Part No. W-S

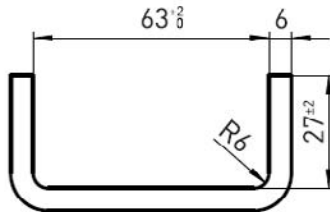


Part No. W-W

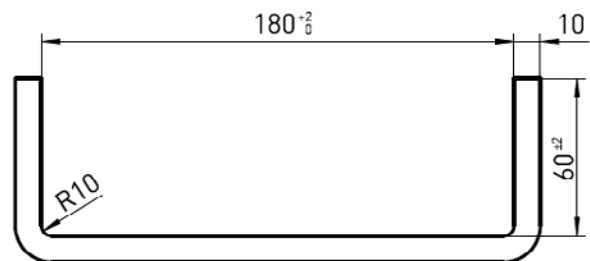


Also available
in Stainless

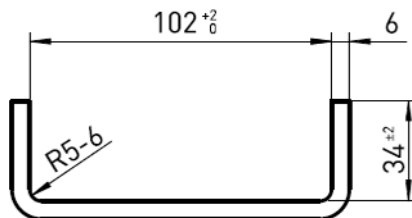
Part No. W-M



Part No. W-X



Part No. W-V



Stock lengths = 6 meters
Cut to length on request

Technical Details

CAD Drawing Download: www.winkel.de

Parameter	Part No.						
	W-A	W-S	W-M	W-V	W-R	W-W	W-X
Wt. (kg/m)	2.62	5.0	5.8	8.3	14.3	16.9	24.1
Area cm ²	3.3	6.4	7.3	10.5	18.3	21.3	30.7
Ix cm ⁴	10.6	35.4	54.4	178.7	499.7	758.9	1626.8
Wx cm ³	4.4	10.9	14.5	31.4	70.4	94.9	162.7
Iy cm ⁴	1.7	5.0	6.9	14.0	49.8	83.0	126.1
Wy cm ³	1.0	2.5	3.1	4.8	12.4	17.5	24.6
ey cm	0.8	1.0	1.0	1.1	1.6	1.9	1.9