

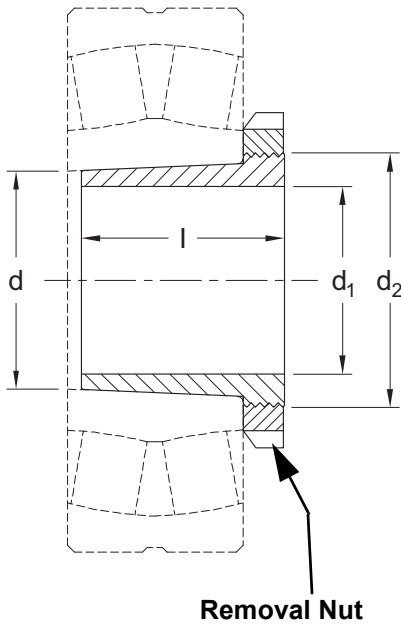
Withdrawal Sleeves

AHX30, 31 and 32 Series

Metric Bores

For 230 and 231 & 232 Series

Spherical Bearings



For 223 Series Spherical Bearings

The removal nut must be ordered separately.

Inch Bores available on request

AHX30, 31 and 32 Series

Part No.	Dimensions (mm)				Thread	Nut	Weight kg
	d	d ₁	d ₂	l			
AHX310	50	45	55	35	M55x2	KM11	0.1
AHX311	55	50	60	37	M60x2	KM12	0.2
AHX312	60	55	65	40	M65x2	KM13	0.2
AHX317	85	80	95	52	M95x2	KM19	0.4
AHX318	90	85	100	53	M100x2	KM20	0.5
AHX3218	90	85	100	63	M100x2	KM20	0.6
AHX319	95	90	105	57	M105x2	KM21	0.5
AHX320	100	95	110	59	M110x2	KM22	0.6
AHX3120	100	95	110	64	M110x2	KM22	0.6
AHX3220	100	95	110	73	M110 x2	KM22	0.8
AHX322	110	105	120	63	M120x2	KM24	0.7
AHX3122	110	105	120	68	M120x2	KM24	0.8
AHX3222	110	105	125	82	M125x2	KM25	1.0
AHX3024	120	115	130	60	M130x2	KM26	0.8
AHX3124	120	115	130	75	M130x2	KM26	0.9
AHX3224	120	115	135	90	M135x2	KM27	1.3
AHX3026	130	125	140	67	M140x2	KM28	0.9
AHX3126	130	125	140	78	M140x2	KM28	1.1
AHX3226	130	125	145	98	M145x2	KM29	1.6
AHX3028	140	135	150	68	M150x2	KM30	1.0
AHX3128	140	135	150	83	M150x2	KM30	1.3
AHX3228	140	135	155	104	M155x3	KM31	1.8
AHX3030	150	145	160	72	M160x3	KM32	1.1
AHX3130	150	145	165	96	M165x3	KM33	1.8
AHX3230	150	145	165	114	M165x3	KM33	2.2

AHX23 Series

Part No.	Dimensions (mm)				Thread	Nut	Weight kg
	d	d ₁	d ₂	l			
AHX2310	50	45	55	50	M55x2	KM11	0.21
AHX2311	55	50	60	54	M60x2	KM12	0.25
AHX2312	60	55	65	58	M65x2	KM13	0.30
AHX2314	70	65	80	64	M80x2	KM16	0.47
AHX2315	75	70	85	68	M85x2	KM17	0.53
AHX2316	80	75	90	71	M90x2	KM18	0.60
AHX2317	85	80	95	74	M95x2	KM19	0.67
AHX2318	90	85	100	79	M100x2	KM20	0.78
AHX2319	95	90	105	85	M105x2	KM21	0.88
AHX2320	100	95	110	90	M110x2	KM22	1.0
AHX2322	110	105	125	98	M125x2	KM25	1.4
AHX2324	120	115	135	105	M135x2	KM27	1.6
AHX2326	130	125	145	115	M145x2	KM29	2.0
AHX2328	140	135	155	125	M155x3	KM31	2.3
AHX2330	150	145	165	135	M165x3	KM33	2.8