

# FAN & BLOWER BLOCKS AKA "DOUBLE PILLOW BLOCKS"



## European Metric and American Standard Industrial Power Transmission Products

These heavy duty bearings are ideal for Fans, Blowers, Bench Grinders, Buffers and Jack Shafts. All housings are equipped with two bearings, each with individual grease wells. All bearings are tested to "EMQ" (electric motor quality) vibration levels. Each unit is certified for use in air handling applications.



## PRODUCT DETAILS & FEATURES



### Seven housing sizes from stock:

- Inch Shaft Sizes from 15/16" thru 2-7/16"
- Metric Shaft Sizes from 25mm thru 60mm

**Housings equipped with two bearings,**  
each with individual grease wells

### Choice of shaft attachment method:

- Set Screw or Concentric Locking Collars

**Interchanges easily** with competitive brands

**All units** assembled in Charlotte, NC - USA

**Operating temperature range** between  
-40°F and +200°F



PTI Corporate Headquarters Charlotte, NC - USA  
24/7 Inside Sales: 704-588-1091 Toll-Free: 800-763-4434  
ptiinfo@ptintl.com

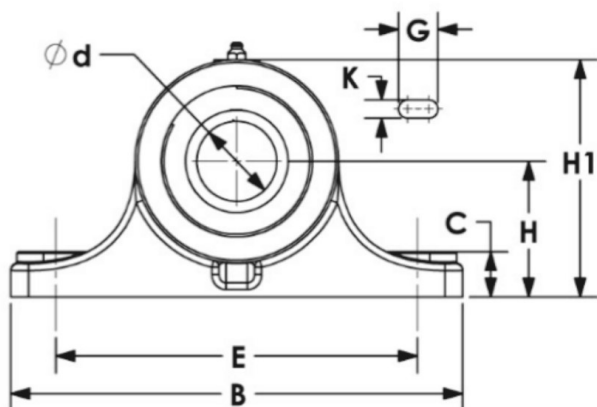
[www.ptintl.com](http://www.ptintl.com)

# FAN & BLOWER BLOCKS AKA "DOUBLE PILLOW BLOCKS"



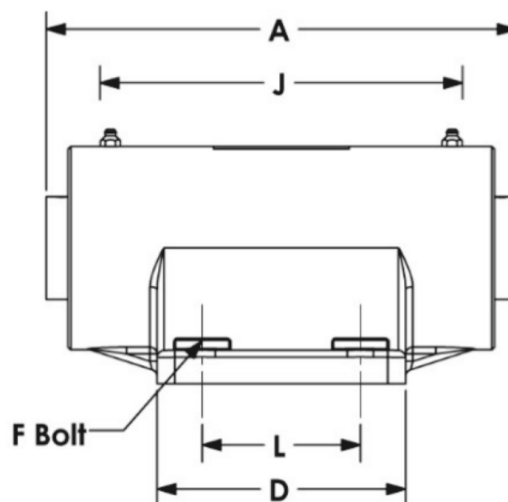
## HOUSINGS AND LOCKING INSERTS FROM STOCK

Note: Dimensions below are for Set Screw  
- Also available in Concentric Locking Collar



### Seven Housing Sizes Available:

- Inch Shaft Sizes from 15/16" thru 2-7/16"
- Metric Shaft Sizes from 25mm thru 60mm



Part No.	Unit Size	Shaft Size d		Dimensions (mm) (in)											Housing No.	Bearing No.	Wt. lb	
		mm	in	A	B	C	D	E	F Bolt	G	H	H1	J	K				L
CFBSER205-25mm	205	25	—	192	197	32	108	152	M10	17	63.5	100	150	11	70	CFB205	SER205-25MM	16.0
CFBSER205-15		15/16	7.57	7.75	1.25	4.25	6.00	3/8	0.68	2.500	3.92	5.9	0.43	2.75	SER205-15			
CFBSER205-16		1															SER205-16	
CFBSER206-30mm	206	30	—	187	197	32	108	159	M10	18	63.50	10.6	142	13	69.9	CFB206	SER206-30MM	13.9
CFBSER206-18		1-1/8	7.35	7.75	1.25	4.25	6.25	7/16	0.70	2.500	4.16	5.6	0.50	2.75	SER206-18			
CFBSER206-19		1-3/16															SER206-19	
CFBSER207-35mm	207	35	—	276	254	31.8	140	203	M12	23	76.20	124	224	16	89	CFB207	SER207-35MM	24.4
CFBSER207-20		1-1/4	10.88	10.00	1.25	5.50	8.00	1/2	0.90	3.000	4.88	8.8	0.63	3.50	SER207-20			
CFBSER207-22		1-3/8													SER207-22			
CFBSER207-23		1-7/16													SER207-23			
CFBSER209-45mm	209	45	—	264	254	25.4	140	203	M12	23	76.20	133	204	16	89	CFB209	SER209-45MM	27.5
CFBSER209-27		1-11/16	10.40	10.00	1.00	5.50	8.00	1/2	0.90	3.000	5.25	8.0	0.63	3.50	SER209-27			
CFBSER209-28		1.3/4													SER209-28			
CFBSER210-50mm	210	50	—	342	305	28.7	178	241	M14	28.7	88.90	151	277	17.5	114	CFB210	SER210-50MM	52.6
CFBSER210-31		1-15/16	13.47	12.00	1.13	7.00	9.50	5/8	1.13	3.500	5.94	10.9	0.69	4.50	SER210-31			
CFBSER210-32		2													SER210-32			
CFBSER211-55mm	211	55	—	335	305	31.8	178	241	M14	28.7	88.90	156	268	17.5	114	CFB211	SER211-55MM	58.1
CFBSER211-35		2-3/16	13.19	12.00	1.25	7.00	9.50	5/8	1.13	3.500	6.13	10.6	0.69	4.50	SER211-35			
CFBSER212-60mm	212	60	—	356	305	44	178	241	M14	28.7	88.90	162	277	17.5	114	CFB212	SER212-60MM	68.1
CFBSER212-36		2-1/4	14.03	12.00	1.75	7.00	9.50	5/8	1.13	3.500	6.38	10.9	0.69	4.50	SER212-36			
CFBSER212-38		2-3/8													SER212-38			
CFBSER212-39		2-7/16													SER212-39			



PTI Corporate Headquarters Charlotte, NC - USA  
24/7 Inside Sales: 704-588-1091 Toll-Free: 800-763-4434  
ptiinfo@ptintl.com

www.ptintl.com