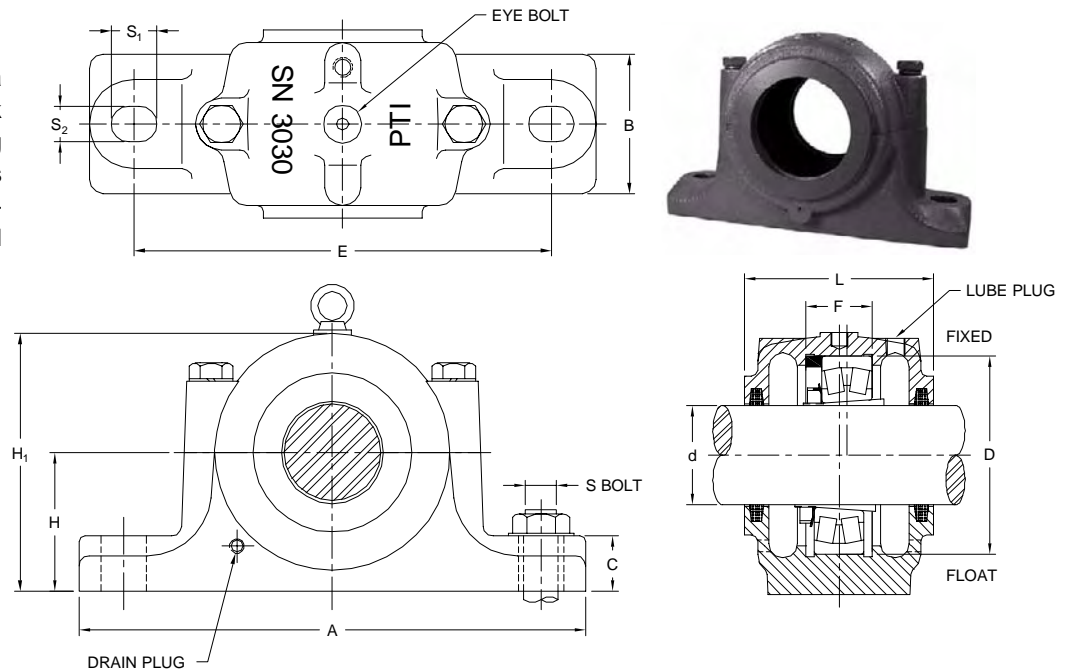


# Plummer Block Housings



## S 3000K Series

The S 3000 K Series is a heavy duty metric block which uses the 230 Bearing Series. Cast iron blocks include Felt Seals and Fixing Rings. Adapters and Bearings sold separately.



Housing Part No.	Dimensions (mm)													Wt. kg
	d	A	B	C	D	E	F	H	H <sub>1</sub>	L	S	S <sub>1</sub>	S <sub>2</sub>	
S3024K	110	390	110	40	180	320	56	112	215	150	M 24	30	36	17
S3026K	115	420	120	45	200	350	62	125	239	160	M 24	30	36	20
S3028K	125	420	120	45	210	350	63	140	259	170	M 24	30	36	25
S3030K	135	460	130	45	225	380	66	150	278	175	M 24	30	36	29
S3032K	140	470	130	50	240	390	70	150	288	190	M 24	30	36	37
S3034K	150	540	160	55	260	450	77	160	365	200	M 30	36	48	45
S3036K	160	560	160	55	280	470	84	170	385	210	M 30	36	48	65
S3038K	170	560	160	55	290	470	85	170	405	210	M 30	36	48	67
S3040K	180	615	170	60	310	515	92	180	425	235	M 30	36	48	72
S3044K	200	690	190	70	340	580	100	200	460	255	M 36	42	50	98
S3048K	220	720	200	75	360	610	102	210	495	265	M 36	42	50	110
S3052K	240	820	220	80	400	680	114	240	547	285	M 45	52	70	148
S3056K	260	860	230	80	420	720	116	250	567	295	M 45	52	70	165

Housing Part No.	Bearing Part No.	Basic Dynamic Rating C kN	Adapter Sleeves Part No.	Fixing Rings		Felt Seals		End Cover Part No.	Initial Grease Quantity g
				Part No.	Qty	Part No.	Qty		
S3024K	23024KC3W33	300	H3024	FR 180/10	1	10 x 8.5 x 195	4	DK 128	0.50
S3026K	23026KC3W33	370	H3026	FR 200/10	1	10 x 8.5 x 200	4	DK 133	0.80
S3028K	23028KC3W33	395	H3028	FR 210/10	1	14 x 11 x 225	4	DK 151	0.90
S3030K	23030KC3W33	435	H3030	FR 225/10	1	14 x 11 x 240	4	DK 161	1.10
S3032K	23032KC3W33	500	H3032	FR 240/10	1	14 x 11 x 250	4	DK 166	1.20
S3034K	23034KC3W33	620	H3034	FR 260/10	1	16 x 12 x 270	4	DK 180	1.50
S3036K	23036KC3W33	720	H3036	FR 280/10	1	16 x 12 x 285	4	DK 190	1.70
S3038K	23038KC3W33	750	H3038	FR 290/10	1	16 x 12 x 300	4	DK 200	1.90
S3040K	23040KC3W33	875	H3040	FR 310/10	1	16 x 12 x 315	4	DK 210	2.20
S3044K	23044KC3W33	1040	H3044	FR 340/10	1	16 x 12 x 350	4	DK 230	2.90
S3048K	23048KC3W33	1125	H3048	FR 360/10	1	16 x 12 x 380	4	DK 250	4.00
S3052K	23052KC3W33	1400	H3052	FR 400/10	1	16 x 12 x 410	4	DK 270	4.50
S3056K	23056KC3W33	1500	H3056	FR 420/10	1	16 x 12 x 445	4	DK 290	5.20