

# Hanger Bearing



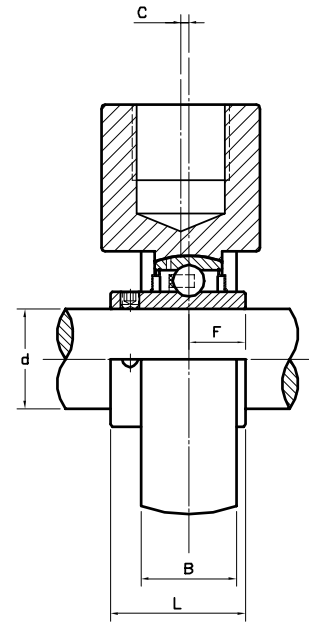
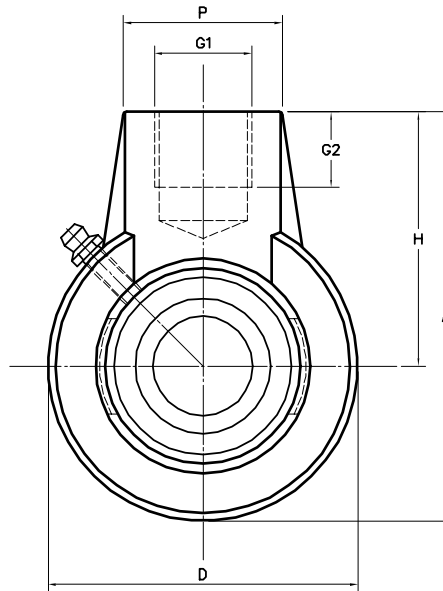
## HA 200 Gold Series

Normal Duty Bearing

Cast Iron Housing

Set Screw Lock

Metric and Inch Bores



Part No.	Shaft Size d		Dimensions (mm) (in)										Bearing No.	Housing No.	Wt. kg
	in	mm	A	B	C	D	F	G <sub>1</sub> (in) BSPP	G <sub>2</sub>	H	L	P			
HA204 x 20UMM	20		96	21	—	64	12.7	—	19	64	31	40	UC204 x 20MM	HA204	0.7
HA204 x 3/4U		3/4	3.78	0.83	—	2.52	0.5	G3/4	0.75	2.52	1.22	1.57	UC204 x 3/4		
HA205 x 25UMM	25		103	24	—	78	14.3	—	19	64	34.1	40	UC205 x 25MM	HA205	1.02
HA205 x 7/8U		7/8	4.06	0.94	—	3.07	0.56	G3/4	0.75	2.52	1.34	1.57	UC205 x 7/8		
HA205 x 15/16U		15/16											UC205 x 15/16		
HA205 x 1U		1											UC205 x 1		
HA206 x 30UMM	30		104	27	—	80	15.9	—	19	64	38.1	40	UC206 x 30MM	HA206	1.2
HA206 x 1-1/8U		1-1/8	4.09	1.06	—	3.15	0.63	G3/4	0.75	2.52	1.50	1.57	UC206 x 1-1/8		
HA206 x 1-3/16U		1-3/16											UC206 x 1-3/16		
HA206 x 1-1/4U		1-1/4											UC206 x 1-1/4		
HA207 x 35UMM	35		116	30	—	92	17.5	—	19	70	42.9	40	UC207 x 35MM	HA207	1.43
HA207 x 1-1/4U		1-1/4	4.58	1.18	—	3.62	0.69	G3/4	0.75	2.76	1.69	1.57	UC207 x 1-1/4		
HA207 x 1-3/8U		1-3/8											UC207 x 1-3/8		
HA207 x 1-7/16U		1-7/16											UC207 x 1-7/16		
HA208 x 40UMM	40		123	32	2.0	100	19.1	—	19	73	49.2	40	UC208 x 40MM	HA208	1.9
HA208 x 1-1/2U		1-1/2	4.89	1.26	0.08	3.94	0.75	G3/4	0.75	2.87	1.94	1.57	UC208 x 1-1/2		
HA209 x 45UMM	45		136	34	5.0	108	19.1	—	21	82	49.2	48	UC209 x 45MM	HA209	2.4
HA209 x 1-5/8U		1-5/8	5.35	1.34	.20	4.25	0.75	G1	0.83	3.23	1.94	1.89	UC209 x 1-5/8		
HA209 x 1-11/16U		1-11/16											UC209 x 1-11/16		
HA210 x 50UMM	50		142	36	5.0	118	19.1	—	21	83	51.6	48	UC210 x 50MM	HA210	2.5
HA210 x 1-7/8U		1-7/8	5.59	1.42	.20	4.65	0.75	G1	0.83	3.27	2.03	1.89	UC210 x 1-7/8		
HA210 x 1-15/16U		1-15/16											UC210 x 1-15/16		
HA210 x 2U		2											UC210 x 2		

Note: Eccentric and Adapter Locking Bearings also available from stock.

# Hanger Bearing

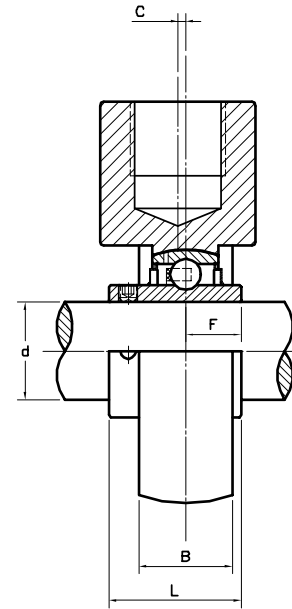
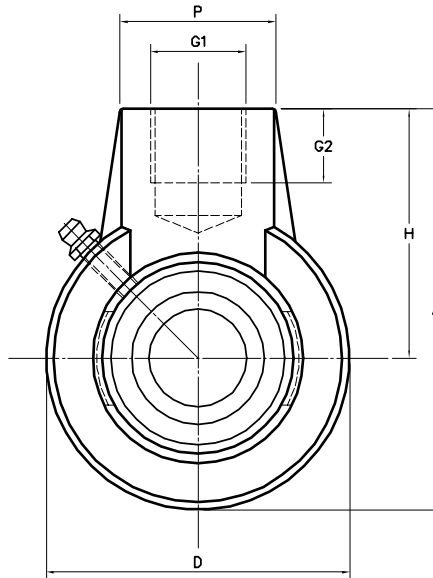
## HA 200 Silver Series

Normal Duty Bearing

Cast Iron Housing

Set Screw Lock

Metric and Inch Bores



Part No.	Shaft Size d		Dimensions (mm) (in)										Bearing No.	Housing No.	Wt. kg
	mm	in	A	B	C	D	F	G <sub>1</sub> (in) BSPP	G <sub>2</sub>	H	L	P			
HA204-20UMM	20		96	21	—	64	12.7	—	19	64	31	40	UC204-20MM	HA204	0.7
HA204-12U		3/4	3.78	0.83	—	2.52	0.5	G3/4	0.75	2.52	1.22	1.57	UC204-12		
HA205-25UMM	25		103	24	—	78	14.3	—	19	64	34.1	40	UC205-25MM	HA205	1.02
HA205-14U		7/8	4.06	0.94	—	3.07	0.56	G3/4	0.75	2.52	1.34	1.57	UC205-14		
HA205-15U		15/16											UC205-15		
HA205-16U		1											UC205-16		
HA206-30UMM	30		104	27	—	80	15.9	—	19	64	38.1	40	UC206-30MM	HA206	1.2
HA206-18U		1-1/8	4.09	1.06	—	3.15	0.63	G3/4	0.75	2.52	1.50	1.57	UC206-18		
HA206-19U		1-3/16											UC206-19		
HA206-20U		1-1/4											UC206-20		
HA207-35UMM	35		116	30	—	92	17.5	—	19	70	42.9	40	UC207-35MM	HA207	1.43
HA207-20U		1-1/4	4.62	1.18	—	3.62	0.69	G3/4	0.75	2.76	1.69	1.57	UC207-20		
HA207-22U		1-3/8											UC207-22		
HA207-23U		1-7/16											UC207-23		
HA208-40UMM	40		123	32	2.0	100	19.1	—	19	73	49.2	40	UC208-40MM	HA208	1.9
HA208-24U		1-1/2	4.84	1.26	0.08	3.74	0.75	G3/4	0.75	2.87	1.94	1.57	UC208-24		
HA209-45UMM	45		136	34	5.0	108	19.1	—	21	82	49.2	48	UC209-45MM	HA209	2.4
HA209-26U		1-5/8	5.35	1.34	.20	4.25	0.75	G1	0.83	3.23	1.94	1.89	UC209-26		
HA209-27U		1-11/16											UC209-27		
HA209-28U		1-3/4											UC209-28		
HA210-50UMM	50		142	36	5.0	118	19.1	—	21	83	51.6	48	UC210-50MM	HA210	2.5
HA210-30U		1-7/8	5.59	1.42	.20	4.65	0.75	G1	0.83	3.27	2.03	1.89	UC210-30		
HA210-31U		1-15/16											UC210-31		
HA210-32U		2											UC210-32		

Note: Eccentric and Adapter Lock Bearings also available from stock.