

Adapter Sleeves

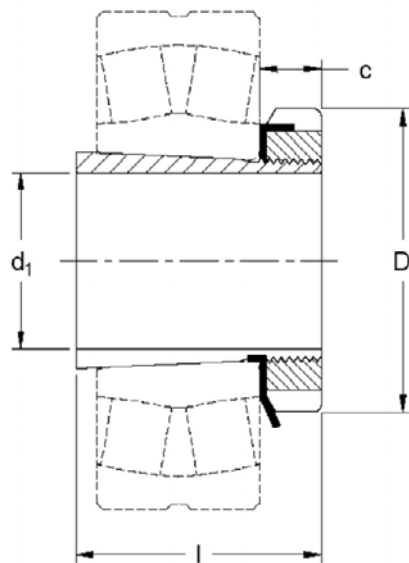


SNW 00 Series

Inch Bores

With Nut and Washer

For 222 Series Spherical Bearings
(also used with 1200, 1300, and
2200 Series Ball Bearings).



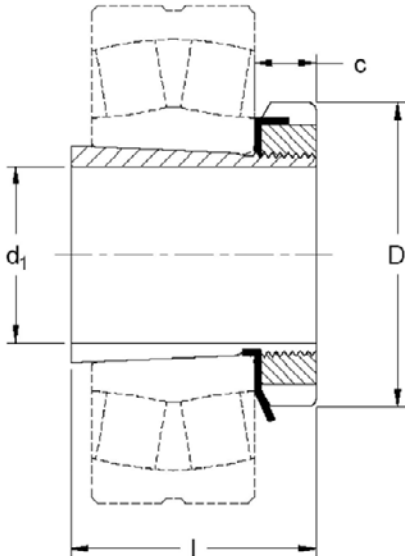
Part No.	Dimension (in)				Nut	Lock Washer	Weight lb
	d ₁	l	D	c			
SNW05 x 3/4	3/4	1.27	1.56	0.46	N05	W05	0.2
SNW05 x 11/16	11/16	1.27	1.56	0.46	N05	W05	0.3
SNW06 x 15/16	15/16	1.35	1.75	0.46	N06	W06	0.2
SNW06 x 1	1	1.35	1.75	0.46	N06	W06	0.2
SNW07 x 1-1/16	1-1/16	1.46	2.06	0.48	N07	W07	0.4
SNW07 x 1-1/8	1-1/8	1.46	2.06	0.48	N07	W07	0.3
SNW07 x 1-1/4	1-1/4	1.46	2.06	0.48	N07	W07	0.3
SNW07 x 1-3/16	1-3/16	1.46	2.06	0.48	N07	W07	0.3
SNW08 x 1-1/4	1-1/4	1.50	2.25	0.50	N08	W08	0.4
SNW08 x 1-3/8	1-3/8	1.50	2.25	0.50	N08	W08	0.4
SNW08 x 1-5/16	1-5/16	1.50	2.25	0.50	N08	W08	0.4
SNW09 x 1-3/8	1-3/8	1.58	2.53	0.50	N09	W09	0.6
SNW09 x 1-7/16	1-7/16	1.58	2.53	0.50	N09	W09	0.6
SNW09 x 1-1/2	1-1/2	1.58	2.53	0.50	N09	W09	0.6
SNW10 x 1-11/16	1-11/16	1.77	2.69	0.56	N10	W10	0.7
SNW10 x 1-5/8	1-5/8	1.77	2.69	0.56	N10	W10	0.7
SNW10 x 1-3/4	1-3/4	1.77	2.69	0.56	N10	W10	0.7
SNW11 x 1-13/16	1-13/16	1.85	2.97	0.56	N11	W11	0.8
SNW11 x 1-3/4	1-3/4	1.85	2.97	0.56	N11	W11	0.8
SNW11 x 1-7/8	1-7/8	1.85	2.97	0.56	N11	W11	0.8
SNW11 x 1-15/16	1-15/16	1.85	2.97	0.56	N11	W11	0.9
SNW11 x 2	2	1.85	2.97	0.56	N11	W11	0.9
SNW13 x 2	2	2.10	3.38	0.63	N13	W13	1.0
SNW13 x 2-3/16	2-3/16	2.10	3.38	0.63	N13	W13	1.4
SNW13 x 2-1/4	2-1/4	2.10	3.38	0.63	N13	W13	1.4
SNW13 x 2-5/16	2-5/16	2.10	3.38	0.63	N13	W13	1.3
SNW15 x 2-3/8	2-3/8	2.30	3.88	0.67	AN15	W15	2.4
SNW15 x 2-1/2	2-1/2	2.30	3.88	0.67	AN15	W15	2.3
SNW15 x 2-7/16	2-7/16	2.30	3.88	0.67	AN15	W15	2.2
SNW15 x 2-5/8	2-5/8	2.30	3.88	0.67	AN15	W15	2.2
SNW16 x 2-11/16	2-11/16	2.38	4.16	0.67	AN16	W16	2.4
SNW16 x 2-3/4	2-3/4	2.38	4.16	0.67	AN16	W16	2.4
SNW17 x 2-15/16	2-15/16	2.49	4.41	0.70	AN17	W17	2.9
SNW17 x 3	3	2.49	4.41	0.70	AN17	W17	2.9
SNW18 x 3-3/16	3-3/16	2.65	4.66	0.78	AN18	W18	4.0
SNW18 x 3-1/4	3-1/4	2.49	4.66	0.78	AN18	W18	4.0
SNW20 x 3-7/16	3-7/16	2.87	5.19	0.84	AN20	W20	4.0
SNW20 x 3-1/2	3-1/2	2.87	5.19	0.84	AN20	W20	4.0
SNW22 x 3-11/16	3-11/16	3.21	5.72	0.91	AN22	W22	4.9
SNW22 x 3-15/16	3-15/16	3.21	5.72	0.91	AN22	W22	4.8
SNW22 x 4	4	3.21	5.72	0.91	AN22	W22	4.8
SNW24 x 4-3/16	4-3/16	3.47	6.13	0.94	AN24	W24	6.2
SNW24 x 4-1/4	4-1/4	3.47	6.13	0.94	AN24	W24	6.2
SNW26 x 4-7/16	4-7/16	3.76	6.75	1.00	AN26	W26	9.7
SNW26 x 4-1/2	4-1/2	3.76	6.75	1.00	AN26	W26	9.7
SNW28 x 4-7/8	4 7/8	3.98	7.09	1.06	AN28	W28	10.5
SNW28 x 4-15/16	4-15/16	3.98	7.09	1.06	AN28	W28	10.5
SNW28 x 5	5	3.98	7.09	1.06	AN28	W28	10.5
SNW30 x 5-3/16	5-3/16	4.24	7.69	1.13	AN30	W30	16.0
SNW30 x 5-1/4	5-1/4	4.24	7.69	1.13	AN30	W30	16.0
SNW32 x 5-7/16	5-7/16	4.58	8.06	1.19	AN32	W32	16.0
SNW32 x 5-1/2	5-1/2	4.58	8.06	1.19	AN32	W32	16.0
SNW32 x 5-3/4	5-3/4	4.58	8.06	1.19	AN32	W32	16.0
SNW34 x 5-15/16	5-15/16	4.85	8.66	1.22	AN34	W34	19.5
SNW34 x 6	6	4.85	8.66	1.22	AN34	W34	19.5
SNW36 x 6-7/16	6-7/16	5.04	9.06	1.25	AN36	W36	20.5
SNW36 x 6-1/2	6-1/2	5.04	9.06	1.25	AN36	W36	20.5
SNW38 x 6-15/16	6-15/16	5.26	9.47	1.28	AN38	W38	23.5
SNW38 x 7	7	5.26	9.47	1.28	AN38	W38	23.5
SNW40 x 7-3/16	7-3/16	5.48	9.84	1.34	AN40	W40	30.5
SNW40 x 7-3/8	7-3/8	5.48	9.84	1.34	AN40	W40	30.5
SNW44 x 7-1/2	7-1/2	5.90	11.00	1.41	AN44	W44	32.5
SNW44 x 7-7/8	7-7/8	5.90	11.00	1.41	AN44	W44	32.5
SNW44 x 7-15/16	7-15/16	5.90	11.00	1.41	AN44	W44	32.5
SNW44 x 8	8	5.90	11.00	1.41	AN44	W44	32.5

Adapter Sleeves

SNW100 Series SNW3000 Series Inch Bores

With Nut and Washer

For 223 and 232 Series
Spherical Bearings



For 230 Series Spherical
Bearings



Part No.	Dimension (in)				Nut	Lock Washer	Weight lb
	d ₁	l	D	c			
SNW109 x 1-7/16	1-7/16	2.13	2.53	0.50	N09	W09	0.7
SNW109 x 1-1/2	1-1/2	2.13	2.53	0.50	N09	W09	0.7
SNW110 x 1-11/16	1-11/16	2.39	2.69	0.56	N10	W10	0.9
SNW110 x 1-3/4	1-3/4	2.39	2.69	0.56	N10	W10	0.9
SNW111 x 1-7/8	1-7/8	2.52	2.97	0.56	N11	W11	0.9
SNW111 x 1-15/16	1-15/16	2.52	2.97	0.56	N11	W11	0.9
SNW111 x 2	2	2.52	2.97	0.56	N11	W11	0.9
SNW113 x 2-1/4	2-1/4	2.77	3.38	0.63	N13	W13	1.8
SNW113 x 2-3/16	2-3/16	2.77	3.38	0.63	N13	W13	1.8
SNW115 x 2-3/8	2-3/8	3.08	3.88	0.70	AN15	W15	3.0
SNW115 x 2-7/16	2-7/16	3.08	3.88	0.70	AN15	W15	3.0
SNW115 x 2-1/2	2-1/2	3.08	3.88	0.70	AN15	W15	3.0
SNW116 x 2-11/16	2-11/16	3.20	4.16	0.67	AN16	W16	3.2
SNW116 x 2-3/4	2-3/4	3.20	4.16	0.67	AN16	W16	3.2
SNW117 x 2-15/16	2-15/16	3.31	4.41	0.70	AN17	W17	3.4
SNW117 x 3	3	3.31	4.41	0.70	AN17	W17	3.4
SNW118 x 3-3/16	3-3/16	3.55	4.66	0.78	AN18	W18	4.0
SNW118 x 3-1/4	3-1/4	3.55	4.66	0.78	AN18	W18	4.0
SNW120 x 3-7/16	3-7/16	3.97	5.19	0.84	AN20	W20	6.3
SNW120 x 3-1/2	3-1/2	3.97	5.19	0.84	AN20	W20	6.3
SNW122 x 3-11/16	3-11/16	4.35	5.72	0.91	AN22	W22	6.5
SNW122 x 3-15/16	3-15/16	4.35	5.72	0.91	AN22	W22	6.5
SNW122 x 4	4	4.35	5.72	0.91	AN22	W22	6.5
SNW124 x 4-3/16	4-3/16	4.65	6.13	0.94	AN24	W24	7.8
SNW124 x 4-1/4	4-1/4	4.65	6.13	0.94	AN24	W24	7.8
SNW126 x 4-7/16	4-7/16	4.98	6.75	1.00	AN26	W26	12.5
SNW126 x 4-1/2	4-1/2	4.98	6.75	1.00	AN26	W26	12.5
SNW128 x 4-15/16	4-15/16	5.32	7.09	1.06	AN28	W28	13.0
SNW128 x 5	5	5.32	7.09	1.06	AN28	W28	13.0
SNW130 x 5-3/16	5-3/16	5.62	7.69	1.13	AN30	W30	18.0
SNW130 x 5-1/4	5-1/4	5.62	7.69	1.13	AN30	W30	18.0
SNW132 x 5-7/16	5-7/16	5.92	8.06	1.19	AN32	W32	18.0
SNW134 x 5-15/16	5-15/16	6.19	8.66	1.22	AN34	W34	21.0
SNW134 x 6	6	6.19	8.66	1.22	AN34	W34	21.0
SNW136 x 6-7/16	6-7/16	6.46	9.06	1.25	AN36	W36	20.5
SNW136 x 6-1/2	6-1/2	6.46	9.06	1.25	AN36	W36	20.5
SNW138 x 6-15/16	6-15/16	6.76	9.47	1.28	AN38	W38	28.0
SNW138 x 7	7	6.76	9.47	1.28	AN38	W38	28.0
SNW140 x 7-3/16	7-3/16	7.10	9.84	1.34	AN40	W40	35.5
SNW144 x 7-15/16	7-15/16	7.29	11.00	1.41	AN44	W44	46.5
SNW144 x 8	8	7.29	11.00	1.41	AN44	W44	46.5

SNW3024 x 4-3/16	4-3/16	2.95	5.69	0.94	N024	W024	6.2
SNW3026 x 4-7/16	4-7/16	3.24	6.13	1.00	N026	W026	7.5
SNW3026 x 4-1/2	4-1/2	3.24	6.13	1.00	N026	W026	7.5
SNW3028 x 4-15/16	4-15/16	3.34	6.50	1.06	N028	W028	8.5
SNW3028 x 5	5	3.34	6.50	1.06	N028	W028	8.5
SNW3030 x 5-3/16	5-3/16	3.49	7.13	1.13	N030	W030	9.8
SNW3030 x 5-1/4	5-1/4	3.49	7.13	1.13	N030	W030	9.8
SNW3032 x 5-7/16	5-7/16	3.71	7.50	1.19	N032	W032	12.0
SNW3034 x 5-15/16	5-15/16	4.02	7.88	1.22	N034	W034	13.5
SNW3034 x 6	6	4.02	7.88	1.22	N034	W034	13.5
SNW3036 x 6-7/16	6-7/16	4.34	8.25	1.25	N036	W036	15.0
SNW3036 x 6-1/2	6-1/2	4.34	8.25	1.25	N036	W036	15.0
SNW3038 x 6-15/16	6-15/16	4.41	8.69	1.28	N038	W038	17.0
SNW3038 x 7	7	4.41	8.69	1.28	N038	W038	17.0
SNW3040 x 7-3/16	7-3/16	4.75	9.44	1.34	N040	W040	19.5
SNW3044 x 7-15/16	7-15/16	5.13	10.25	1.38	N044	W044	24.5
SNW3044 x 8	8	5.13	10.25	1.38	N044	W044	24.5