

Hydraulic Nuts

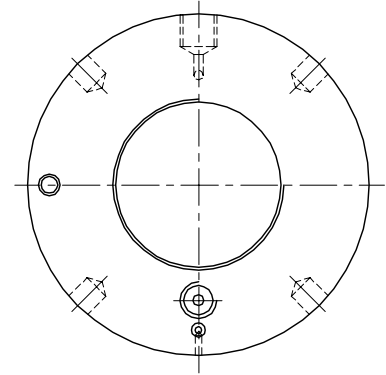
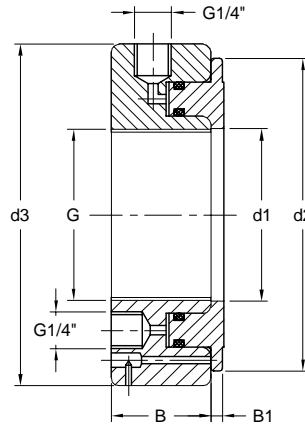


HMV..E Series

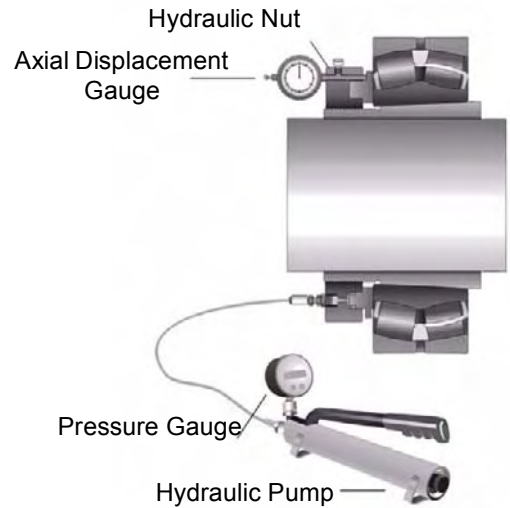
Metric Threads



Accessories Included



HMV..E Hydraulic Nuts are bearing mounting tools and fit on standard H-Series adapters or OH-Series hydraulic adapter sleeves with metric threads. Hydraulic pressure from a pump allows the piston in the face of the HMV Nut to push the bearing inner ring. As the hydraulic pressure increases, the force of the piston gently pushes the tapered bearing up the adapter taper, slightly expanding the bearing inner bore, causing internal clearance to be removed from the bearing, therefore creating a press fit of the inner ring to the shaft. During mounting, the bearing clearance should be measured until the recommended mounted running clearance for the bearing size is achieved. Once the bearing is properly mounted, the HMV nut can be replaced with the standard KM nut and washer or lock clip. Smaller and larger hydraulic nuts are available on request. A gauge mounting hole accommodates an axial gauge (gauge not included) for monitoring of axial movement. Hydraulic Nuts with Inch threads are also available on request. A spanner wrench, extra o-ring seals, nylon screw for gauge retention and hydraulic plugs are included with each nut.



Part No.	G mm	d1 mm	d2 mm	d3 mm	B	B1	Max. Axial Displacement mm	Injection Hole Thread BSP
HMV 28E	M 140x2	140.5	200	208	37	7	5	G1/4"
HMV 30E	M 150x2	150.5	211	220	39	7	5	G1/4"
HMV 32E	M 160x3	160.5	224	232	40	7	6	G1/4"
HMV 34E	M 170x3	170.5	235	244	41	7	6	G1/4"
HMV 36E	M 180x3	180.5	247	256	41	7	6	G1/4"
HMV 38E	M 190x3	191	259	270	42	8	7	G1/4"
HMV 40E	M 200x3	201	271	282	43	8	8	G1/4"
HMV 44E	TR 220x4	222	293	306	43	8	9	G1/4"
HMV 48E	TR 240x4	242	316	330	46	9	10	G1/4"
HMV 52E	TR 260x4	262	341	356	47	9	11	G1/4"
HMV 56E	TR 280x4	282	363	380	49	9	12	G1/4"
HMV 60E	TR 300x4	302	386	404	50	10	14	G1/4"
HMV 64E	TR 320x5	322	409	428	53	10	14	G1/4"
HMV 68E	TR 340x5	342	430	450	54	10	14	G1/4"
HMV 72E	TR 360x5	362	455	472	56	10	15	G1/4"
HMV 76E	TR 380x5	382	476	498	58	11	16	G1/4"
HMV 80E	TR 400x5	402	499	522	60	11	17	G1/4"
HMV 84E	TR 420x5	422	522	546	61	11	17	G1/4"
HMV 88E	TR 440x5	442	543	566	62	12	17	G1/4"
HMV 92E	TR 460x5	462	565	590	64	12	17	G1/4"
HMV 96E	TR 280x5	482	587	612	65	12	19	G1/4"

Larger sizes available on request. Hydraulic nuts with inch threads available on request.