

Hydraulic Adapter Sleeves



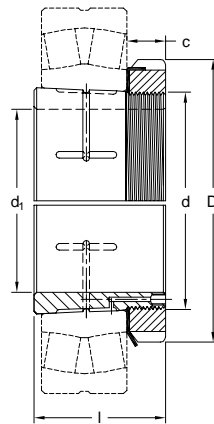
OH3000 Series

OH3100 Series

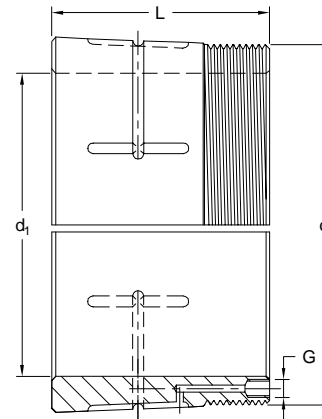
Metric & Inch Bores

For 230 and 231 Series

Spherical Bearings



Sizes 44 and up with locking plate



Oil grooves for Hydraulic removal

OH 3000 Series

Metric Bore		Inch Bore		Other Stock Bores	Dimensions (mm)					Nut	Lock Washer	G	Weight kg
Part No.	d ₁	Part No.	d ₁		d	l	D	c	c ₁				
OH3032	140	OH3032 x 5-7/16	5-7/16	5-1/2	160	93	190	27.5	—	KML32	MBL32	M6	5.2
OH3034	150	OH3034 x 5-15/16	5-15/16	6	170	101	200	28.5	—	KML34	MBL34	M6	6.0
OH3036	160	OH3036 x 6-7/16	6-7/16	6-1/2	180	109	210	29.5	—	KML36	MBL36	M6	6.9
OH3038	170	OH3038 x 6-15/16	6-15/16	7	190	112	220	30.5	—	KML38	MBL38	M6	7.5
OH3040	180	OH3040 x 7-3/16	7-3/16	—	200	120	240	31.5	—	KML40	MBL40	M6	9.2
OH3044	200	OH3044 x 7-15/16	7-15/16	8	220	128	260	30	41	HM3044	MS3044	M6	10.3
OH3048	220	OH3048 x 8-7/16	8-7/16	8-1/2, 8-15/16, 9	240	133	290	34	46	HM3048	MS3048	M6	13.2
OH3052	240	OH3052 x 9-7/16	9-7/16	9-1/2	260	147	310	34	46	HM3052	MS3052	M6	15.3
OH3056	260	OH3056 x 9-15/16	9-15/16	10, 10-7/16, 10-1/2	280	152	330	38	50	HM3056	MS3056	M6	17.7
OH3060	280	OH3060 x 10-15/16	10-15/16	11	300	168	360	42	54	HM3060	MS3060	M6	22.8
OH3064	300	OH3064 x 11-15/16	11-15/16	11-1/2, 12	320	171	380	42	55	HM3064	MS3064	M6	24.6
OH3068	320	OH3068 x 12-1/2	12-1/2	12-7/16	340	187	400	45	58	HM3068	MS3068	M6	28.7
OH3072	340	OH3072 x 12-15/16	12-15/16	13, 13-7/16	360	188	420	45	58	HM3072	MS3072	M6	30.5
OH3076	360	OH3076 x 13-15/16	13-15/16	14	380	193	450	48	62	HM3076	MS3076	M6	35.8
OH3080	380	OH3080 x 15	15	14-15/16	400	210	470	52	66	HM3080	MS3080	M6	41.3
OH3084	400	OH3084 x 15-3/4	15-3/4	—	420	212	490	52	66	HM3084	MS3084	M6	43.7
OH3088	410	OH3088 x 16-1/2	16-1/2	—	440	228	520	60	77	HM3088	MS3088	M8	65.2
OH3092	430	OH3092 x 17	17	—	460	234	540	60	77	HM3092	MS3092	M8	69.5
OH3096	450	OH3096 x 18	18	—	480	237	560	60	77	HM3096	MS3096	M8	73.3

OH 3100 Series

Metric Bore		InchBore		Other Stock Bores	Dimensions (mm)					Nut	Lock Washer	G	Weight kg
Part No.	d ₁	Part No.	d ₁		d	l	D	c	c ₁				
OH3132	140	OH3132 x 5-7/16	5-7/16	5-1/2	160	119	210	28	—	KM32	MB32	M6	7.7
OH3134	150	OH3134 x 5-15/16	5-15/16	6	170	122	220	29	—	KM34	MB34	M6	8.4
OH3136	160	OH3136 x 6-7/16	6-7/16	6-1/2	180	131	230	30	—	KM36	MB36	M6	9.5
OH3138	170	OH3138 x 6-15/16	6-15/16	7	190	141	240	31	—	KM38	MB38	M6	11.0
OH3140	180	OH3140 x 7-3/16	7-3/16	—	200	150	250	32	—	KM40	MB40	M6	12.0
OH3144	200	OH3144 x 7-15/16	7-15/16	8	220	161	280	32	44	HM3144	MS3144	M6	14.7
OH3148	220	OH3148 x 8-1/2	8-1/2	—	240	172	300	34	46	HM3148	MS3148	M6	17.3
OH3152	240	OH3152 x 9-1/2	9-1/2	9-7/16	260	190	330	36	49	HM3152	MS3152	M6	22.0
OH3156	260	OH3156 x 10-7/16	10-7/16	10-1/2	280	195	350	38	51	HM3156	MS3156	M6	24.5
OH3160	280	OH3160 x 11	11	10-15/16	300	208	380	40	53	HM3160	MS3160	M6	30.2
OH3164	300	OH3164 x 11-1/2	11-1/2	11-7/16, 11-15/16, 12	320	226	400	42	56	HM3164	MS3164	M6	34.9
OH3168	320	OH3168 x 12-1/2	12-1/2	12-7/16	340	254	440	55	72	HM3168	MS3168	M6	49.5
OH3172	340	OH3172 x 13	13	12-15/16, 13-7/16, 13-1/2	360	259	460	58	75	HM3172	MS3172	M6	54.2
OH3176	360	OH3176 x 14	14	13-15/16	380	264	490	60	77	HM3176	MS3176	M6	61.7
OH3180	380	OH3180 x 15	15	14-15/16	400	272	520	62	82	HM3180	MS3180	M6	70.6
OH3184	400	OH3184 x 15-3/4	15-3/4	—	420	304	540	70	90	HM3184	MS3184	M6	84.2
OH3188	410	OH3188 x 16-1/2	16-1/2	—	440	307	560	70	90	HM3188	MS3188	M8	104.0
OH3192	430	OH3192 x 17	17	—	460	326	580	75	95	HM3192	MS3192	M8	116.0
OH3196	450	OH3196 x 18	18	—	480	335	620	75	95	HM3196	MS3196	M8	133.0

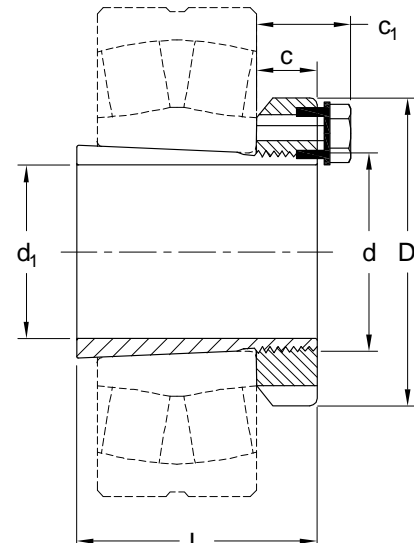
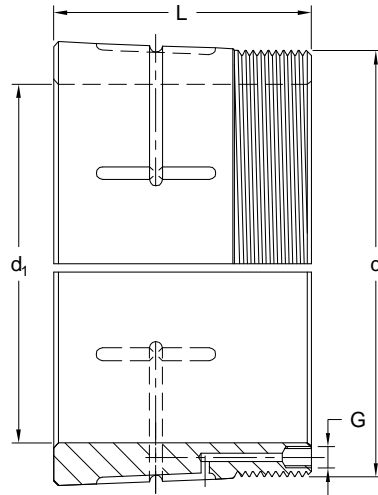
Hydraulic Adapter Sleeves



OH 2300 & OH3200 Series Metric and Inch Bores



Use with 232 Series
Spherical Bearings



Sizes with locking clip

OH2300 & OH3200 Series

Dimensions in mm

Metric Bore		Inch Bore		Other Stock Bores	Dimensions (mm)					Standard Nut	Lock Clip	Lock Clip Threads	G	Wt. kg
Part No.	d ₁	Part No.	d ₁		d	L	D	c	c ₁					
OH2348	220	OH2348 x 8-15/16	8-15/16	9	240	199	300	34	50	HM3148	MS3148	M8 x 16	M6	19
OH2352	240	OH2352 x 9-1/2	9-1/2	9-7/16	260	221	330	36	51	HM3152	MS3152	M8 x 16	M6	21
OH2356	260	OH2356 x 10	10	9-15/16, 10-7/16, 10-1/2	280	223	350	38	53	HM3156	MS3156	M8 x 16	M6	23
OH3260	280	OH3260 x 11	11	10-15/16	300	240	380	40	54	HM3160	MS3160	M10 x 30	M6	34
OH3264	300	OH3264 x 12	12	11-7/16, 11-1/2, 11-15/16	320	258	400	42	55	HM3164	MS3164	M10 x 30	M6	40
OH3268	320	OH3268 x 12-1/2	12-1/2	12-7/16	340	288	440	55	70	HM3168	MS3168	M12 x 25	M6	55
OH3272	340	OH3272 x 13	13	12-15/16, 13-7/16, 13-1/2	360	299	460	58	73	HM3172	MS3172	M12 x 25	M6	61
OH3276	360	OH3276 x 14	14	13-15/16	380	310	490	60	75	HM3176	MS3176	M12 x 25	M6	70
OH3280	380	OH3280 x 15	15	14-15/16	400	328	520	62	77	HM3180	MS3180	M16 x 30	M6	76
OH3284	400	OH3284 x 15-3/4	15-3/4	—	420	352	540	70	85	HM3184	MS3184	M16 x 30	M6	94
OH3288	410	OH3288 x 16-1/2	16-1/2	—	440	361	560	70	85	HM3188	MS3188	M16 x 30	M8	118
OH3292	430	OH3292 x 17	17	—	460	382	580	75	90	HM3192	MS3192	M16 x 30	M8	132
OH3296	450	OH3296 x 18	18	—	480	397	620	75	90	HM3196	MS3196	M16 x 30	M8	152

Note: Other sizes available on request. Hydraulic Nuts HMV--E are stock. Shaft side oil groove optional.