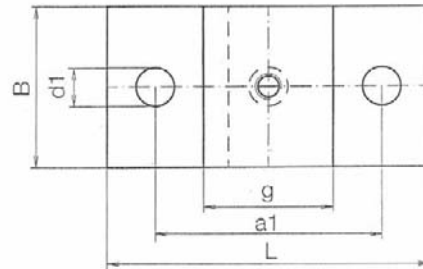
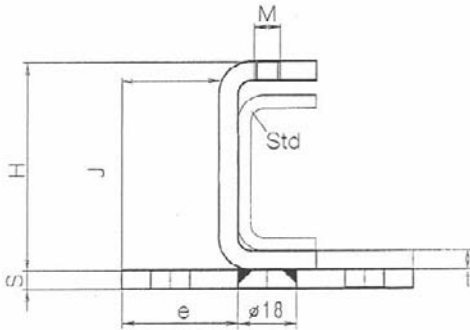
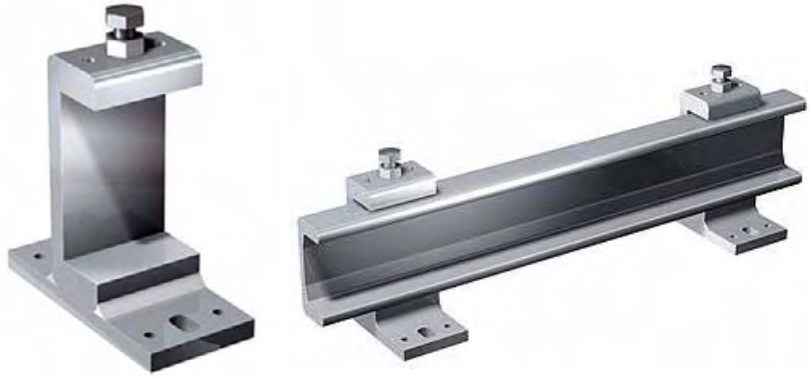


Profile Clamp Flanges



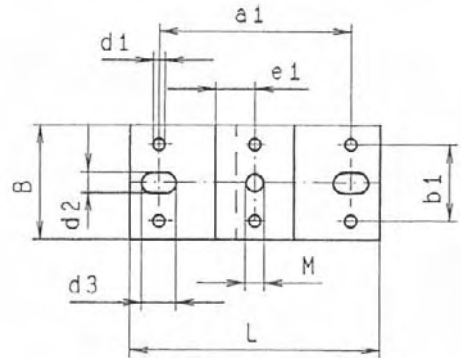
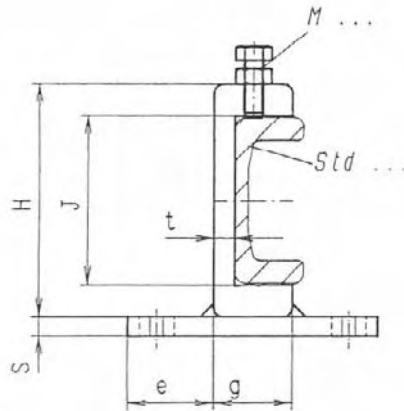
Adjustable Clamp System
 Quick Assembly, No Welding
 Parallelism Easy To Adjust
 Allows Easy Profile Change

Sizes
 W-KF A
 W-KF S



Part No.	Profile	Dimensions (mm)											Wt. kg
		H	B	L	S	J	e	g	t	a1	d1	M	
W-KF A	W-A	65	50	90	6	53	30	30	6	60	12	M8	0.40
W-KF S	W-S	83	50	100	8	67	30	40	8	70	12	M8	0.50

Sizes
 W-KF 0 thru W-KF 4



Part No.	Profile	Dimensions (mm)															Wt. kg
		H	B	L	S	J	e	g	t	a1	b1	d1	d2	d3	e1	M	
W-KF 0	W-0 Nb	121.3	60	130	10	88.5	44.5	41.0	10.8	100	40	6	11	18	20.5	M10 x 30	1.60
W-KF 1	W-1 Nb	135.4	60	130	10	105.0	38.5	53.0	12.7	100	40	6	11	18	26.5	M10 x 30	1.95
W-KF 2	W-2 Nb	157.2	80	160	15	123.0	49.5	61.2	14	130	60	6	13	18	30.6	M12 x 35	3.85
W-KF 3	W-3 Nb	175.0	80	160	15	137.5	46.9	66.2	16.2	130	60	6	13	18	33.1	M12 x 35	4.30
W-KF 4	W-4 Nb	201.5	80	160	15	159.0	44.4	71.2	19.4	130	60	6	13	18	35.6	M12 x 35	5.20